



AS-Interface mounting plate K60 for compact modules K60 for installation on standard mounting rail for 2 flat cables AS-i cable (yellow) and AS-i cable 24 V (black)

product category	accessories digital I/O modules for operation in the field, IP67 - K60		
design of the product	K60 mounting plate for standard rail mounting		
protection class IP	IP67 with screw-mounted K60 compact module		
Substance Prohibittance (day/month/year)	07/01/2006		
Net Weight	91 g		
Ambient conditions			
ambient temperature	-25 ... +85 °C		
• during operation			
Connections/ Terminals			
type of electrical connection	insulation piercing method for AS-Interface flat cable		
installation or assembly note	flat cable end in the module possible with additional seals (3RK1902-0AR00)		
Approvals Certificates			
Environment	General Product Approval	EMV	Maritime application

[Environmental Confirmations](#)



other



[Confirmation](#)

Further information

Siemens is working on the renewal of the current EAC certificates.

Please contact your local Siemens office on the status of validity of the EAC certification if you intend to import or offer to supply these products to an EAC relevant market (other than the sanctioned EAEU member states Russia or Belarus).

Siemens has decided to exit the Russian market (see here).

<https://press.siemens.com/global/en/pressrelease/siemens-wind-down-russian-business>

Information on the packaging

<https://support.industry.siemens.com/cs/ww/en/view/109813875>

Information for data generation and storage

<https://support.industry.siemens.com/cs/ww/en/view/109995012>

Information- and Downloadcenter (Catalogs, Brochures,...)

<https://www.siemens.com/ic10>

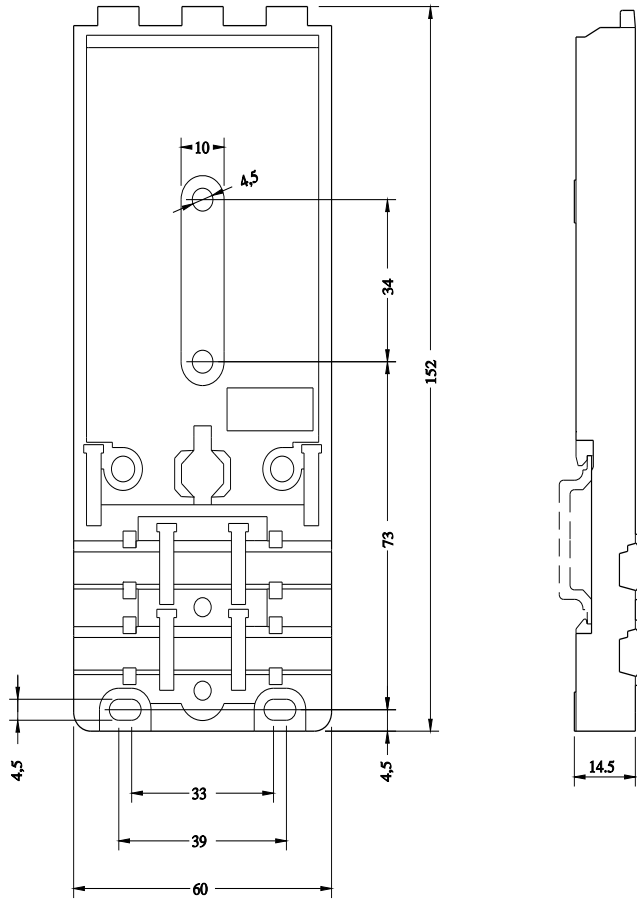
Industry Mall (Online ordering system)

<https://mall.industry.siemens.com/mall/en/en/Catalog/product?mlfb=3RK1901-0CB01>

Cax online generator

<https://support.automation.siemens.com/WW/CAXorder/default.aspx?lang=en&mlfb=3RK1901-0CB01>

Service&Support (Manuals, Certificates, Characteristics, FAQs,...)



last modified:

12/3/2025 