



SITOR fuse holder 1250 A 1250 V 1-pole with bolt terminal with fixing dimension 110 mm

Figure similar

Model		
product brand name	SENTRON	
product designation	SITOR fuse holder	
design of the product	LV HRC fuse base for screw fixing	
design of the thread of the connection screw	M10	
General technical data		
number of poles	1	
utilization category	Without	
Supply voltage		
supply voltage		
• at AC	1 250 V	
• at DC	1 250 V	
Product details		
product component swivel-in mechanism	No	
Connections		
tightening torque with screw-type terminals maximum	20 N·m	
type of electrical connection	for mounting on mounting plate	
• for main current circuit	Stud terminal	
Mechanical Design		
height	153 mm	
width	55 mm	
fastening method	fixed mounting	
fastening method bus-mounting	No	
Net Weight	599 g	
Approvals Certificates		
Environment	General Product Approval	other

[Environmental Con-
firmations](#)

[Confirmation](#)



[Confirmation](#)



Further information

Information on the packaging
<https://support.industry.siemens.com/cs/ww/en/view/109813875>
 Information for data generation and storage
<https://support.industry.siemens.com/cs/ww/en/view/109995012>
 Information- and Downloadcenter (Catalogs, Brochures,...)
<https://www.siemens.com/lowvoltage/catalogs>

Industry Mall (Online ordering system)

<https://mall.industry.siemens.com/mall/en/en/Catalog/product?mlfb=3NH5463>

Service&Support (Manuals, Certificates, Characteristics, FAQs,...)

<https://support.industry.siemens.com/cs/ww/en/ps/3NH5463>

Image database (product images, 2D dimension drawings, 3D models, device circuit diagrams, ...)

https://www.automation.siemens.com/bilddb/cax_en.aspx?mlfb=3NH5463

CAX-Online-Generator

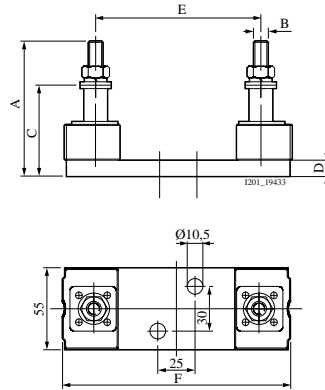
<https://www.siemens.com/cax>

Tender specifications

<https://www.siemens.com/specifications>

Characteristic curves

https://curves.simarisiemens.com/curves/<mmp_prod_noCOMP='HAUPT'></mmp_prod_no>



Type	Dimensions					
	A	B	C	D	E	F
3NH5463	94	M10	65	11	110	153
3NH5473	101	M10	72	11	170	211

last modified:

1/15/2026

