



SITOR fuse holder 315 A 690 V 1-pole with bolt terminal with fixing dimension 80 mm

Figure similar

Model		
product brand name	SETRON	
product designation	SITOR fuse holder	
design of the product	LV HRC fuse base for screw fixing	
design of the thread of the connection screw	M8	
General technical data		
number of poles	1	
utilization category	Without	
Supply voltage		
supply voltage		
• at AC	690 V	
• at DC	690 V	
Product details		
product component swivel-in mechanism	No	
Connections		
tightening torque with screw-type terminals maximum	5 N·m	
type of electrical connection	for mounting on mounting plate	
• for main current circuit	Stud terminal	
Mechanical Design		
height	111.7 mm	
width	36 mm	
fastening method	fixed mounting	
fastening method bus-mounting	No	
Net Weight	306 g	
Approvals Certificates		
Environment	General Product Approval	other

[Environmental Con-
firmations](#)

[Confirmation](#)



[Confirmation](#)



Further information

Information on the packaging

<https://support.industry.siemens.com/cs/ww/en/view/109813875>

Information for data generation and storage

<https://support.industry.siemens.com/cs/ww/en/view/109995012>

Information- and Downloadcenter (Catalogs, Brochures,...)

<https://www.siemens.com/lowvoltage/catalogs>

Industry Mall (Online ordering system)

<https://mall.industry.siemens.com/mall/en/en/Catalog/product?mlfb=3NH5023>

Service&Support (Manuals, Certificates, Characteristics, FAQs,...)

<https://support.industry.siemens.com/cs/ww/en/ps/3NH5023>

Image database (product images, 2D dimension drawings, 3D models, device circuit diagrams, ...)

https://www.automation.siemens.com/bilddb/cax_en.aspx?mlfb=3NH5023

CAX-Online-Generator

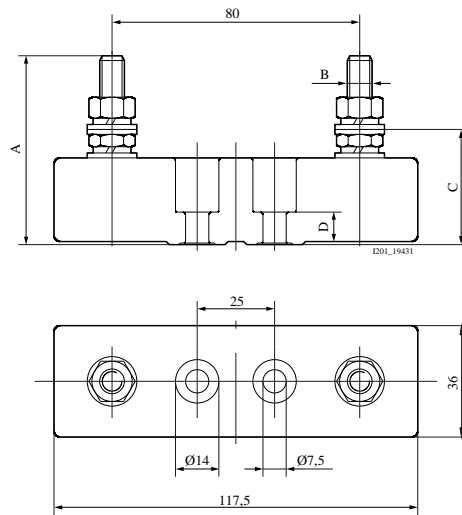
<https://www.siemens.com/cax>

Tender specifications

<https://www.siemens.com/specifications>

Characteristic curves

https://curves.simarisiemens.com/curves/<mmp_prod_noCOMP='HAUPT'></mmp_prod_no>



Type	Dimensions			
	A	B	C	D
3NH5023	59	M8	35,5	11
3NH5323	64	M10	38	11

last modified:

1/15/2026

