




LV HRC fuse base Sz. 00, 1-pole 160 A 690 V (1000 V) with box terminal 50 mm² for snapping onto standard mounting rail

Model	
product brand name	SENTRON
product designation	LV HRC fuse system
design of the product	LV HRC fuse base
design of the thread of the nut	M8
design of the thread of the connection screw	M8
General technical data	
number of poles	1
size of fuse system according to EN 60269-1	Other
utilization category	Without
Supply voltage	
supply voltage	
• at AC	690 V
• at DC	440 V
Product details	
product component swivel-in mechanism	No
maximum short-circuit current breaking capacity (I _{cu})	
• at AC rated value	120 kA
• at DC rated value	25 kA
Connections	
connectable conductor cross-section on saddle-type connector	
• minimum	6 mm ²
• maximum	70 mm ²
connectable conductor cross-section on terminal strip	
• minimum	1.5 mm ²
• maximum	16 mm ²
connectable conductor cross-section on box terminal	
• minimum	2.5 mm ²
• maximum	50 mm ²
connectable conductor cross-section on plug-type connection	
• minimum	2.5 mm ²
• maximum	50 mm ²
tightening torque of the screw for securing the equipment maximum	2 N·m
tightening torque with screw-type terminals maximum	14 N·m
type of electrical connection	Box terminal
• for main current circuit	box terminal
Mechanical Design	

height	117 mm
width	39 mm
depth	61 mm
fastening method	DIN rail
fastening method bus-mounting	No
Net Weight	128 g

Approvals Certificates

Environment	General Product Approval	Test Certificates
Environmental Confirmations Environmental Confirmations	Confirmation  	Special Test Certificate

Maritime application	other
----------------------	-------



[Miscellaneous](#)

[Confirmation](#)



Further information

Information on the packaging

<https://support.industry.siemens.com/cs/ww/en/view/109813875>

Information for data generation and storage

<https://support.industry.siemens.com/cs/ww/en/view/109995012>

Information- and Downloadcenter (Catalogs, Brochures,...)

<https://www.siemens.com/lowvoltage/catalogs>

Industry Mall (Online ordering system)

<https://mall.industry.siemens.com/mall/en/en/Catalog/product?mlfb=3NH3053>

Service&Support (Manuals, Certificates, Characteristics, FAQs,...)

<https://support.industry.siemens.com/cs/ww/en/ps/3NH3053>

Image database (product images, 2D dimension drawings, 3D models, device circuit diagrams, ...)

https://www.automation.siemens.com/bilddb/cax_en.aspx?mlfb=3NH3053

CAX-Online-Generator

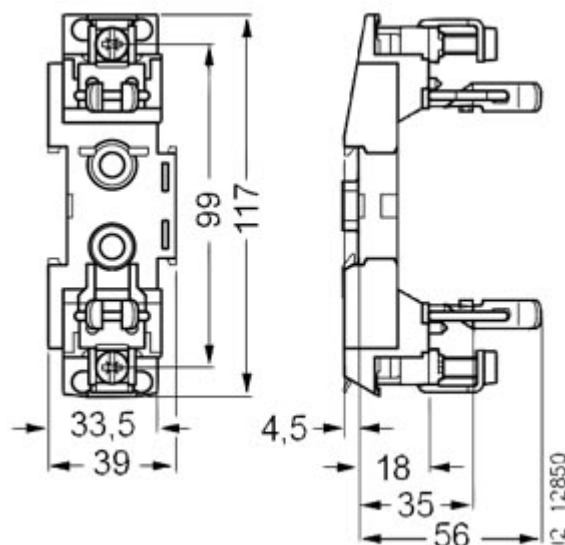
<https://www.siemens.com/cax>

Tender specifications

<https://www.siemens.com/specifications>

Characteristic curves

https://curves.simaris.siemens.com/curves/<mmp_prod_noCOMP='HAUPT'></mmp_prod_no>



last modified:

4/12/2025

