

Siemens
EcoTech



AFDD-MCB-Combination 230V, 6kA, 1+N, C, 13A Compact (1MW)



Figure similar

| Model | |
|---|---|
| product brand name | SENTRON |
| product designation | AFDD/MCB |
| design of the product | Compact unit |
| General technical data | |
| number of poles | 2 |
| design of pole | 1P+N |
| tripping characteristic class | C |
| size of installation devices according to DIN 43880 | 1 |
| touch protection against electrical shock according to EN 50274 | finger and back-of-hand safe |
| mechanical service life (operating cycles) typical | 10 000 |
| switching function short-term delayed | No |
| overvoltage category | 3 |
| degree of pollution | 2 |
| type of voltage of the operating voltage | AC |
| Supply voltage | |
| supply voltage | |
| • at AC | 230 V |
| value range of the supply voltage frequency | 50Hz |
| Protection class | |
| protection class IP | IP20, with connected protective device and conductors |
| Breaking Capacity | |
| switching capacity current | |
| • according to EN 60898-1 rated value | 6 000 A |
| • according to IEC 60947-2 rated value | 6 000 A |
| energy limitation class | 3 |
| Dissipation | |
| power loss [W] for rated value of the current at AC in hot operating state per pole | 1.47 W |
| Product details | |
| product feature halogen-free | Yes |
| product feature silicon-free | Yes |
| product extension installable supplementary devices | Yes |
| Connections | |

| | |
|---|----------------------|
| connectable conductor cross-section solid | |
| • minimum | 0.75 mm ² |
| • maximum | 16 mm ² |
| connectable conductor cross-section stranded | |
| • minimum | 0.75 mm ² |
| • maximum | 16 mm ² |
| connectable conductor cross-section finely stranded with core end processing | |
| • minimum | 0.75 mm ² |
| • maximum | 10 mm ² |
| tightening torque with screw-type terminals | |
| • minimum | 1.2 N·m |
| • maximum | 2 N·m |
| position of power supply cord | any |

Mechanical Design

| | |
|--------------------------------------|----------|
| height | 90 mm |
| width | 18 mm |
| depth | 68.5 mm |
| installation depth | 70 mm |
| number of modular width units | 1 |
| fastening method | DIN rail |
| mounting position | any |
| Net Weight | 130 g |

Environmental conditions

| | |
|--|--------|
| ambient temperature during operation | |
| • minimum | -25 °C |
| • maximum | 45 °C |
| ambient temperature during storage | |
| • minimum | -40 °C |
| • maximum | 75 °C |
| ambient temperature with relative humidity 95% | 55 °C |
| number of test cycles for environmental testing according to IEC 60068-2-30 | 28 |

Certificates

| | |
|--|---|
| reference code according to IEC 81346-2 | F |
|--|---|

Approvals Certificates

| | |
|--------------------|---------------------------------|
| Environment | General Product Approval |
|--------------------|---------------------------------|

[Environmental Conformations](#)



[Environmental Conformations](#)



| | | |
|---------------------------------|--------------------------|--------------|
| General Product Approval | Test Certificates | other |
|---------------------------------|--------------------------|--------------|

[Confirmation](#)



[Miscellaneous](#)



[Confirmation](#)

Further information

Information on the packaging

<https://support.industry.siemens.com/cs/ww/en/view/109813875>

Information for data generation and storage

<https://support.industry.siemens.com/cs/ww/en/view/109995012>

Information- and Downloadcenter (Catalogs, Brochures,...)

<https://www.siemens.com/lowvoltage/catalogs>

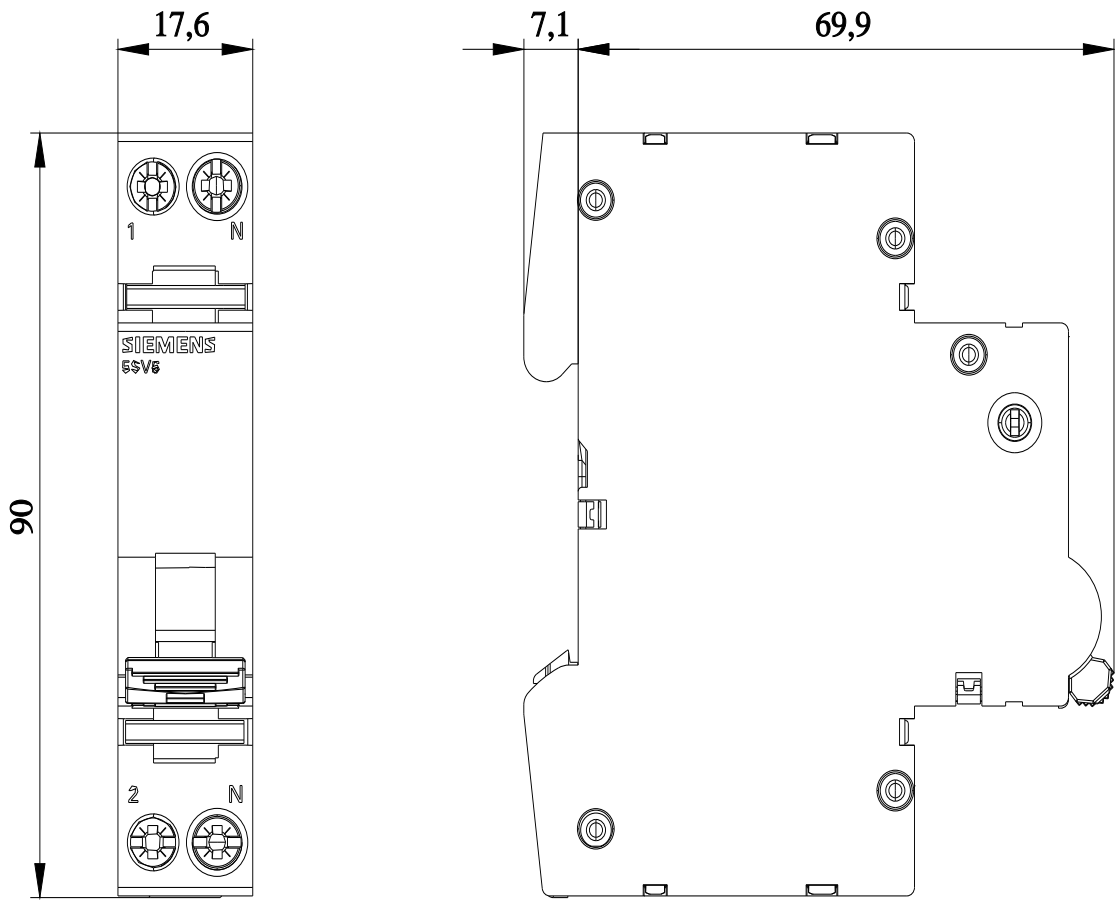
Industry Mall (Online ordering system)

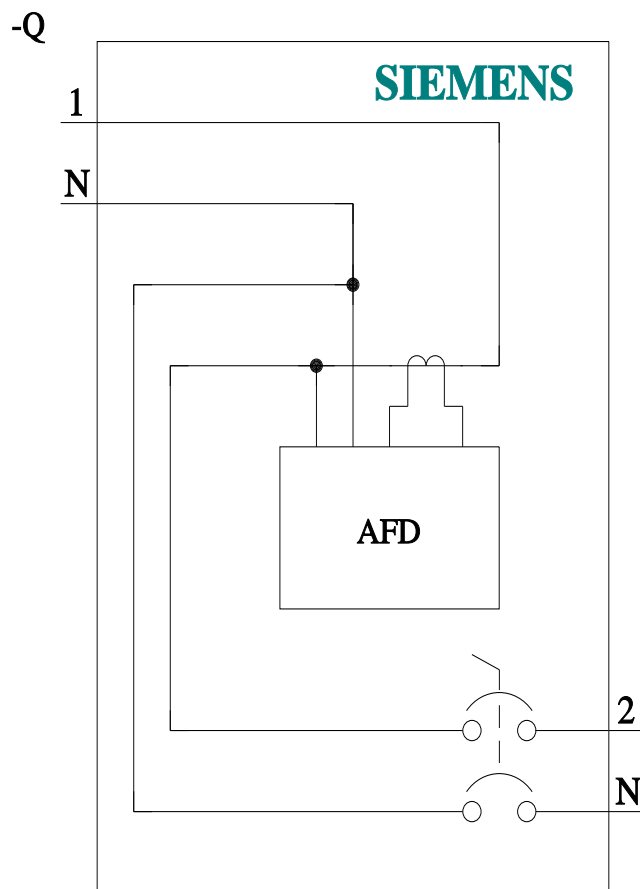
<https://mall.industry.siemens.com/mall/en/en/Catalog/product?mifb=5SV6016-7KK13>

Service&Support (Manuals, Certificates, Characteristics, FAQs,...)

<https://support.industry.siemens.com/cs/ww/en/ps/5SV6016-7KK13>

Image database (product images, 2D dimension drawings, 3D models, device circuit diagrams, ...)





last modified:

7/19/2025 

