



an INFINIT® brand

Pressure Transmitter, 0-200psi, 0-5V out, 11-28V, NPT1/2 M, DIN 43650, Plug, Gauge



PT989 Series

IOT Pressure Sensors Technical Data Sheet

PT989200PV1J22B1C10G

Features

- Pressure range 0-200psi
- Gauge pressure transmitter
- Constant current / Constant Voltage power supply
- Isolated construction, enable to measure various media
- Stainless Steel
- Reverse polarity protection
- Short protection

Applications

- Industrial process control
- Gas, liquid pressure measurement
- Gasoline, petroleum and chemical industries
- Water management

Description

PT989200PV1J22B1C10G is a highly stable and reliable pressure transmitter with span and zero correction. PT989200PV1J22B1C10G pressure transmitter comes in a compact size, and is lightweight and stable. It can be used to measure pressure levels for many applications in metallurgy, mining, chemicals, water supply and waste management.

Product Configuration

Application:	Pressure Transmitter
Pressure Type:	Gauge
Electrical Connector:	DIN 43650
Process Connector:	NPT1/2 Male

General Specifications

Description	Minimum	Typical	Maximum	Unit
Pressure Range	0		200	psi
Accuracy		±0.5		%Full Scale
Zero Thermal Error			±0.03	% Full Scale/°C
Span Thermal Error			±0.03	% Full Scale/°C
Compensated Temp Range	0		50	°C
Long Term Stability			±0.3	%Full Scale/year
Overpressure		1.5		xFull Scale

Electrical Specifications

Description	Minimum	Typical	Maximum	Unit
Output Signal		0-5VDC		
Power Supply/Excitation Level	11	24	28	VDC
Output Load			10,000	Ω



an INFINIT[®] brand

Pressure Transmitter, 0-200psi, 0-5V out, 11-28V, NPT1/2 M, DIN 43650, Plug, Gauge



PT989 Series IOT Pressure Sensors Technical Data Sheet

PT989200PV1J22B1C10G

Material Specifications

Description	Material
Diaphragm	Stainless Steel 316L
Plug Housing	Plastic
Tubing	Stainless Steel 304
Pin	Kovar
O-Ring	Viton

Mechanical Specifications

Electrical Connection

Transmitter connects with the outer circuit through DIN 43650 plug.

Pin	3-Wire
1	+V
2	GND
3	Signal: +OUT

Environmental Specifications

Temperature (Operating)	-30°C to 80°C
Temperature (Storage)	-40°C to 120°C
Ingress Protection	IP65
Certifications	ROHS Compliant CE Compliant

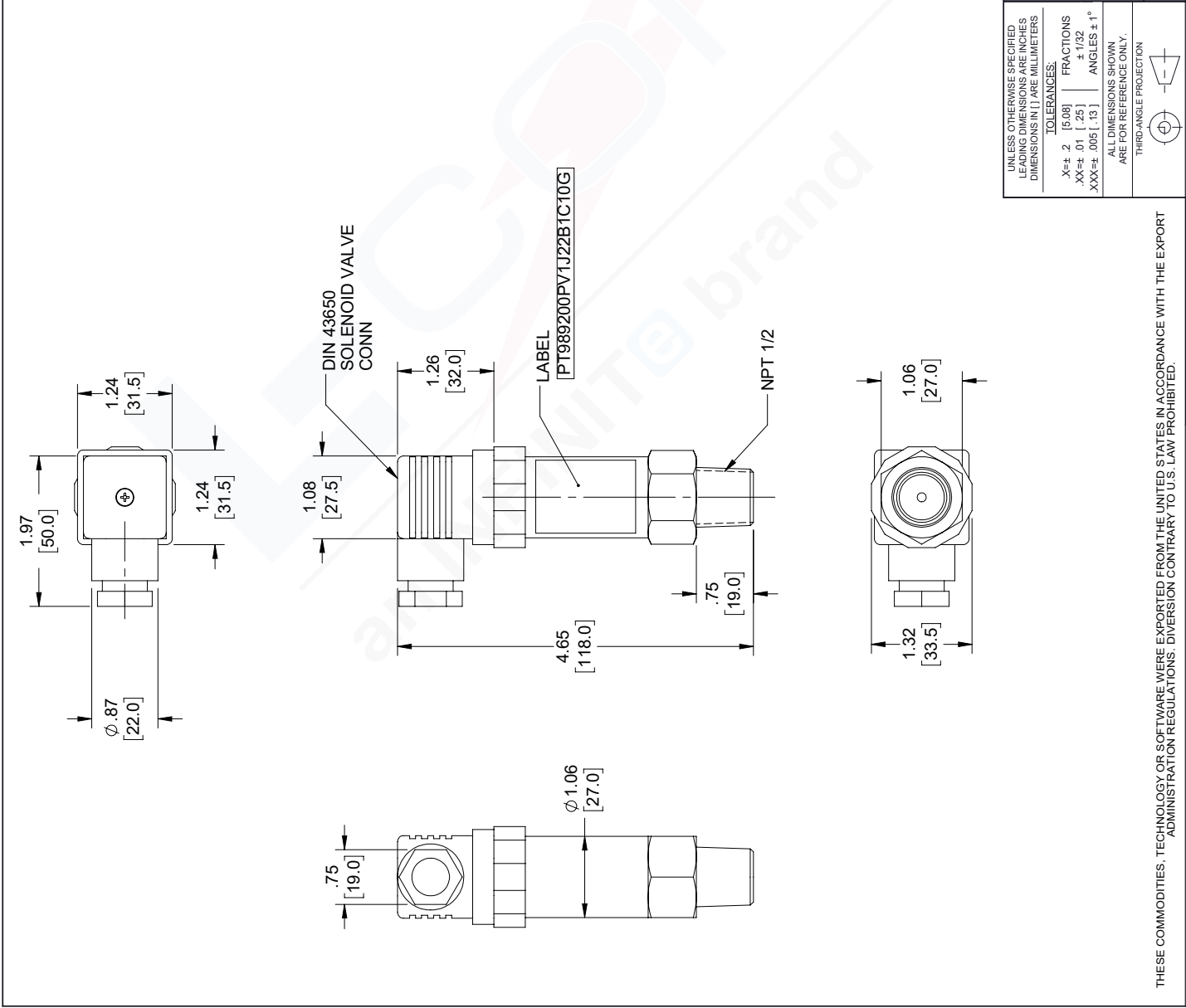
The Infinite Electronics portfolio includes coaxial cable assemblies, connectors, adapters and custom products, as well as our wireless product line which includes antennas, RF amplifiers, lightning and surge protectors, and NEMA rated enclosures.

The information contained in this document is accurate to the best of our knowledge and representative of the part described herein. It may be necessary to make modifications to the part and/or the documentation of the part, in order to implement improvements. L-com reserves the right to make such changes as required. Unless otherwise stated, all specifications are nominal. L-com does not make any representation or warranty regarding the suitability of the part described herein for any particular purpose, and L-com does not assume any liability arising out of the use of any part or documentation.

PT989200PV1J22B1C10G CAD Drawing

Pressure Transmitter, 0-200psi, 0-5V out, 11-28V, NPT1/2 M, DIN 43650, Plug, Gauge

REVISIONS			
REV.	DESCRIPTION	DATE	APPROVED
A	INITIAL RELEASE	06/26/19	TOZA



UNLESS OTHERWISE SPECIFIED
DIMENSIONS IN INCHES AND
DIMENSIONS IN MILLIMETERS

TOLERANCES:
 .X±.2 [5.08] FRACTIONS
 .XX±.01 [.25] ± 1/32
 .XXX±.005 [.13] ANGLES ± 1°
 ALL DIMENSIONS SHOWN
 ARE FOR REFERENCE ONLY.
 THIRD-ANGLE PROJECTION

THE INFORMATION AND DESIGN IN THIS DOCUMENT IS THE PROPERTY OF L-COM GLOBAL CONNECTIVITY. ALL RIGHTS RESERVED.
 SHEET 1 OF 1
 SCALE N/A

L-com
 an INFINITT brand
 50 High Street, West Mill, 3rd Floor, Suite #30
 North Andover, MA 01845 USA
 Phone: 1.800.341.5266 | 1.978.682.6936
 Fax: 1.978.689.9484
 www.L-com.com | e-mail: CustomerService@L-com.com

SIZE: A CAGE: 43321 DRAWN BY: DZINN PART NUMBER: PT989200PV1J22B1C10G REV: A

THESE COMMODITIES, TECHNOLOGY OR SOFTWARE WERE EXPORTED FROM THE UNITED STATES IN ACCORDANCE WITH THE EXPORT ADMINISTRATION REGULATIONS. DIVERSION CONTRARY TO U.S. LAW PROHIBITED.