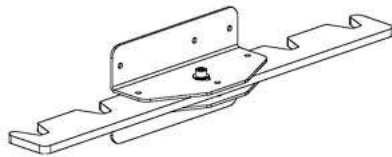


accessory for VL1250, VL1600, mutual interlocking w/ rocker, f. fixed-mntd vers.
spare part product only for replacement purposes



Model		
product brand name	SENTRON	
product designation	Mutual interlocking	
design of the product	for fixed mounting, with rocker	
Accessories		
accessories	Accessory for VL1250, VL1600	
Mechanical Design		
Net Weight	2.738 kg	
Approvals Certificates		
Environment	General Product Approval	Test Certificates

[Environmental Con-
firmations](#)

[Environmental Con-
firmations](#)



[Confirmation](#)



[Special Test Certific-
ate](#)

other

[Confirmation](#)



[Miscellaneous](#)

Further information

Information on the packaging

<https://support.industry.siemens.com/cs/ww/en/view/109813875>

Information for data generation and storage

<https://support.industry.siemens.com/cs/ww/en/view/109995012>

Information- and Downloadcenter (Catalogs, Brochures,...)

<https://www.siemens.com/lowvoltage/catalogs>

Industry Mall (Online ordering system)

<https://mall.industry.siemens.com/mall/en/en/Catalog/product?mlfb=3VL9800-8LC00>

Service&Support (Manuals, Certificates, Characteristics, FAQs,...)

<https://support.industry.siemens.com/cs/ww/en/ps/3VL9800-8LC00>

Image database (product images, 2D dimension drawings, 3D models, device circuit diagrams, ...)

https://www.automation.siemens.com/bilddb/cax_en.aspx?mlfb=3VL9800-8LC00

CAx-Online-Generator

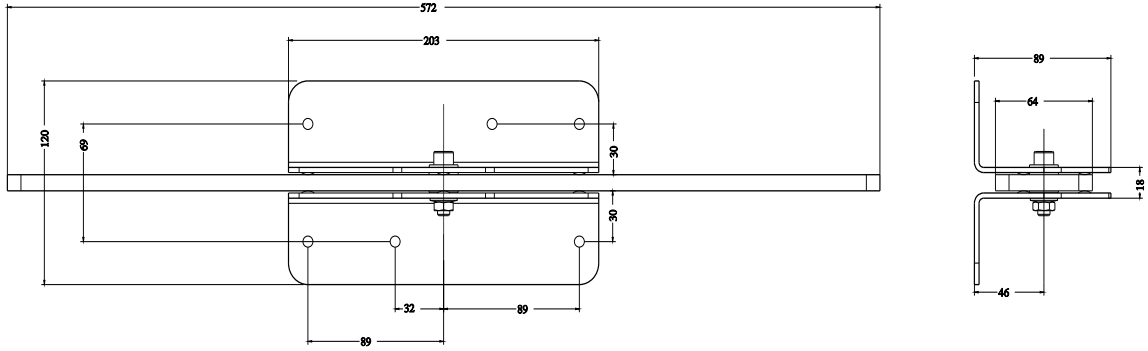
<https://www.siemens.com/cax>

Tender specifications

<https://www.siemens.com/specifications>

Characteristic curves

[https://curves.simaris.siemens.com/curves/<mmp_prod_noCOMP="HAUPT"></mmp_prod_no>](https://curves.simaris.siemens.com/curves/<mmp_prod_noCOMP=)



last modified:

5/25/2025 

