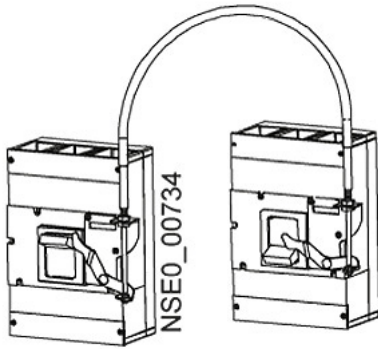


accessory for VL1250, VL1600, locking with Bowden cable spare part product only for replacement purposes



Model		
product brand name	SENTRON	
product designation	Locking with Bowden cable	
Accessories		
accessories	Accessory for VL1250, VL1600	
Mechanical Design		
Net Weight	0.305 kg	
Approvals Certificates		
Environment	General Product Approval	Test Certificates

[Environmental Confirmations](#)

[Environmental Confirmations](#)



[Confirmation](#)



[Special Test Certificate](#)

other

[Confirmation](#)



[Miscellaneous](#)

Further information

- Information on the packaging
<https://support.industry.siemens.com/cs/ww/en/view/109813875>
- Information for data generation and storage
<https://support.industry.siemens.com/cs/ww/en/view/109995012>
- Information- and Downloadcenter (Catalogs, Brochures,...)
<https://www.siemens.com/lowvoltage/catalogs>
- Industry Mall (Online ordering system)
<https://mall.industry.siemens.com/mall/en/en/Catalog/product?mlfb=3VL9800-8LA00>
- Service&Support (Manuals, Certificates, Characteristics, FAQs,...)
<https://support.industry.siemens.com/cs/ww/en/ps/3VL9800-8LA00>
- Image database (product images, 2D dimension drawings, 3D models, device circuit diagrams, ...)
https://www.automation.siemens.com/bilddb/cax_en.aspx?mlfb=3VL9800-8LA00
- CAx-Online-Generator
<https://www.siemens.com/cax>
- Tender specifications
<https://www.siemens.com/specifications>
- Characteristic curves
https://curves.simaris.siemens.com/curves/<mmp_prod_noCOMP="HAUPT"></mmp_prod_no>

last modified:

5/25/2025 

