

accessory for VL1250, VL1600, masking frame for door cut-out IP20, for withdrawable version with rotary op. mech. spare part product only for replacement purposes

| Model | | |
|------------------------|--------------------------------|-------------------|
| product brand name | SENTRON | |
| product designation | cover frame for door cutout | |
| design of the product | IP20, for withdrawable version | |
| Accessories | | |
| accessories | Accessory for VL1250, VL1600 | |
| Mechanical Design | | |
| Net Weight | 595 g | |
| Approvals Certificates | | |
| Environment | General Product Approval | Test Certificates |

[Environmental Con-
firmations](#)

[Environmental Con-
firmations](#)



[Confirmation](#)



[Special Test Certific-
ate](#)

other

[Confirmation](#)



[Miscellaneous](#)

Further information

Information on the packaging

<https://support.industry.siemens.com/cs/ww/en/view/109813875>

Information for data generation and storage

<https://support.industry.siemens.com/cs/ww/en/view/109995012>

Information- and Downloadcenter (Catalogs, Brochures,...)

<https://www.siemens.com/lowvoltage/catalogs>

Industry Mall (Online ordering system)

<https://mall.industry.siemens.com/mall/en/en/Catalog/product?mlfb=3VL9800-8BH00>

Service&Support (Manuals, Certificates, Characteristics, FAQs,...)

<https://support.industry.siemens.com/cs/ww/en/ps/3VL9800-8BH00>

Image database (product images, 2D dimension drawings, 3D models, device circuit diagrams, ...)

https://www.automation.siemens.com/bilddb/cax_en.aspx?mlfb=3VL9800-8BH00

CAX-Online-Generator

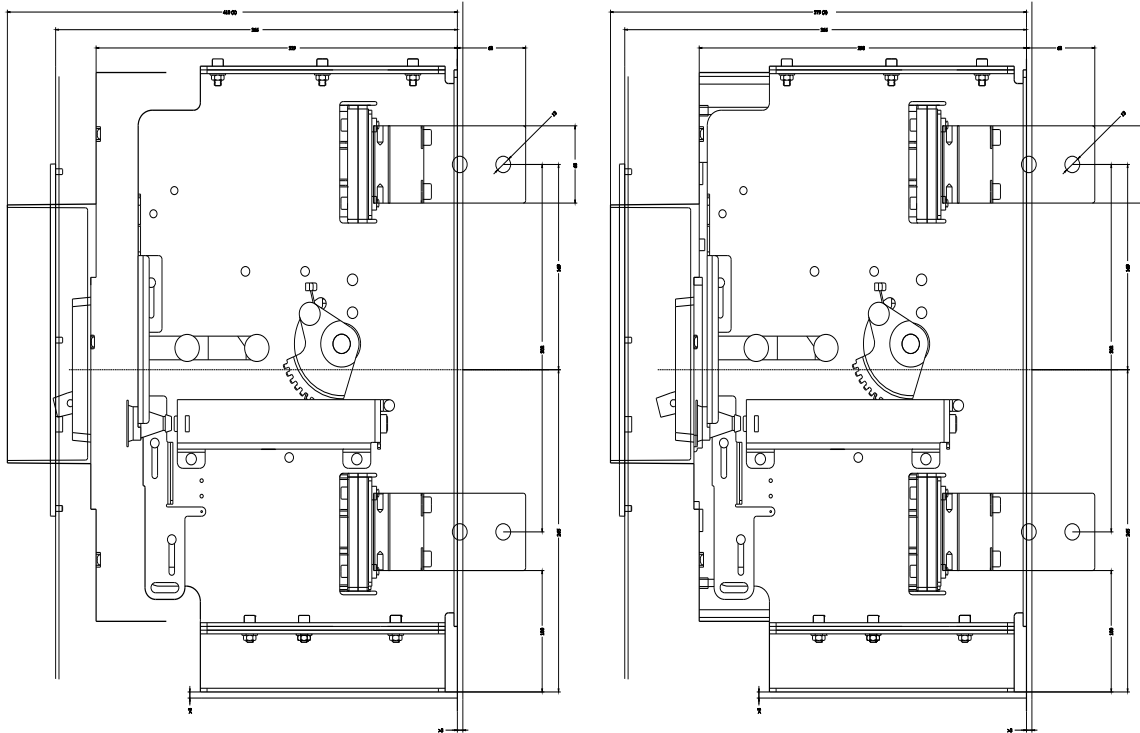
<https://www.siemens.com/cax>

Tender specifications

<https://www.siemens.com/specifications>

Characteristic curves

[https://curves.simaris.siemens.com/curves/<mmp_prod_noCOMP="HAUPT"></mmp_prod_no>](https://curves.simaris.siemens.com/curves/<mmp_prod_noCOMP=)



- (1) Ausgefahren
- (2) Eingefahren

last modified:

5/25/2025 

