

accessory for VL1250, VL1600, motorized operating mechanism 220...250V
AC/DC spare part product only for replacement purposes

Model	
product brand name	SENTRON
product designation	Motorized operating mechanism
design of the product	Accessories for VL1250; VL1600
type of the driving mechanism	motorized operating mechanism
General technical data	
operating frequency maximum	30 1/h
Voltage	
fuse protection type for external auxiliary power supply required	NEOZED fuse (gL/gG): 2 A / miniature circuit breaker, C char.: 2 A
operating range factor control supply voltage rated value	
<ul style="list-style-type: none"> • at DC initial value • at DC full-scale value • at AC at 50 Hz initial value • at AC at 50 Hz full-scale value • at AC at 60 Hz initial value • at AC at 60 Hz full-scale value 	<ul style="list-style-type: none"> 0.85 1.1 0.85 1.1 0.85 1.1
Protection class	
protection class IP	IP30
Control current	
operating apparent power	250 VA
control supply voltage	
<ul style="list-style-type: none"> • at DC rated value minimum • at DC rated value maximum • at AC at 50 Hz rated value minimum • at AC at 50 Hz rated value maximum • at AC at 60 Hz rated value minimum • at AC at 60 Hz rated value maximum 	<ul style="list-style-type: none"> 250 V 220 V 220 V 250 V 220 V 250 V
Accessories	
accessories	Accessories for VL1250; VL1600
pulse duration minimum	50 ms
Connections	
stripped length	10 mm
connectable conductor cross-section solid	
<ul style="list-style-type: none"> • minimum • maximum 	<ul style="list-style-type: none"> 0.75 mm² 1.5 mm²
connectable conductor cross-section stranded	
<ul style="list-style-type: none"> • minimum • maximum 	<ul style="list-style-type: none"> 0.75 mm² 1.5 mm²
connectable conductor cross-section finely stranded with	

core end processing	
• minimum	0.75 mm ²
• maximum	1.5 mm ²
tightening torque	
• minimum	0.6 N·m
• maximum	0.8 N·m

Mechanical Design

height	230 mm
width	215 mm
depth	180 mm
Net Weight	7.761 kg


Environmental conditions

ambient temperature during operation	
• minimum	-25 °C
• maximum	70 °C
ambient temperature during storage	
• minimum	-40 °C
• maximum	80 °C


Certificates

reference code according to IEC 81346-2	M
--	---

Approvals Certificates

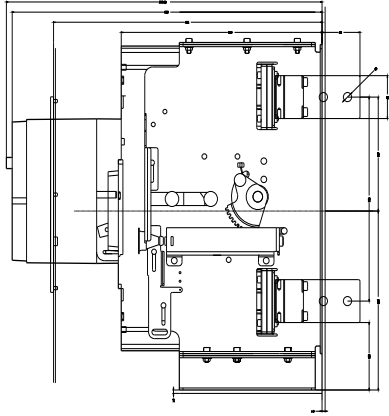
Environment	General Product Approval	Test Certificates
Environmental Conformations		Confirmation
Environmental Conformations		Special Test Certificate

other

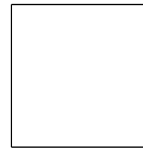
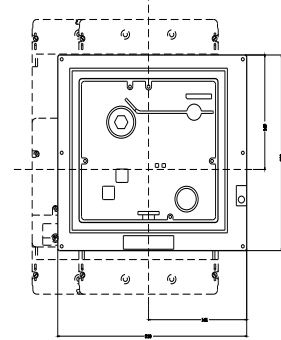
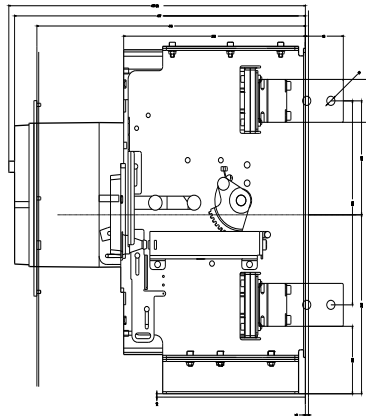
Confirmation		Miscellaneous
------------------------------	---	-------------------------------

Further information

- Information on the packaging**
<https://support.industry.siemens.com/cs/ww/en/view/109813875>
- Information for data generation and storage**
<https://support.industry.siemens.com/cs/ww/en/view/109995012>
- Information- and Downloadcenter (Catalogs, Brochures,...)**
<https://www.siemens.com/lowvoltage/catalogs>
- Industry Mall (Online ordering system)**
<https://mall.industry.siemens.com/mall/en/en/Catalog/product?mlfb=3VL9800-3MQ00>
- Service&Support (Manuals, Certificates, Characteristics, FAQs,...)**
<https://support.industry.siemens.com/cs/ww/en/ps/3VL9800-3MQ00>
- Image database (product images, 2D dimension drawings, 3D models, device circuit diagrams, ...)**
https://www.automation.siemens.com/bilddb/cax_en.aspx?mlfb=3VL9800-3MQ00
- CAX-Online-Generator**
<https://www.siemens.com/cax>
- Tender specifications**
<https://www.siemens.com/specifications>
- Characteristic curves**
[https://curves.simaris.siemens.com/curves/<mmp_prod_noCOMP="HAUPT"></mmp_prod_no>](https://curves.simaris.siemens.com/curves/<mmp_prod_noCOMP=)



01 Antriebsmotor
02 Regelsystem



last modified:

6/15/2025 

