



accessory for VL1250, VL1600, motorized operating mechanism 110...127V  
AC/DC spare part product only for replacement purposes

Model	
product brand name	SENTRON
product designation	Motorized operating mechanism
design of the product	Accessories for VL1250; VL1600
type of the driving mechanism	motorized operating mechanism
General technical data	
operating frequency maximum	30 1/h
Voltage	
fuse protection type for external auxiliary power supply required	NEOZED fuse (gL/gG): 2 A / miniature circuit breaker, C char.: 2 A
operating range factor control supply voltage rated value	
<ul style="list-style-type: none"> <li>at DC initial value</li> <li>at DC full-scale value</li> <li>at AC at 50 Hz initial value</li> <li>at AC at 50 Hz full-scale value</li> <li>at AC at 60 Hz initial value</li> <li>at AC at 60 Hz full-scale value</li> </ul>	<ul style="list-style-type: none"> <li>0.85</li> <li>1.1</li> <li>0.85</li> <li>1.1</li> <li>0.85</li> <li>1.1</li> </ul>
Protection class	
protection class IP	IP30
Control current	
operating apparent power	250 VA
control supply voltage	
<ul style="list-style-type: none"> <li>at DC rated value minimum</li> <li>at DC rated value maximum</li> <li>at AC at 50 Hz rated value minimum</li> <li>at AC at 50 Hz rated value maximum</li> <li>at AC at 60 Hz rated value minimum</li> <li>at AC at 60 Hz rated value maximum</li> </ul>	<ul style="list-style-type: none"> <li>127 V</li> <li>110 V</li> <li>110 V</li> <li>127 V</li> <li>110 V</li> <li>127 V</li> </ul>
Accessories	
accessories	Accessories for VL1250; VL1600
pulse duration minimum	50 ms
Connections	
stripped length	10 mm
connectable conductor cross-section solid	
<ul style="list-style-type: none"> <li>minimum</li> <li>maximum</li> </ul>	<ul style="list-style-type: none"> <li>0.75 mm<sup>2</sup></li> <li>1.5 mm<sup>2</sup></li> </ul>
connectable conductor cross-section stranded	
<ul style="list-style-type: none"> <li>minimum</li> <li>maximum</li> </ul>	<ul style="list-style-type: none"> <li>0.75 mm<sup>2</sup></li> <li>1.5 mm<sup>2</sup></li> </ul>
connectable conductor cross-section finely stranded with	

<b>core end processing</b>	
• minimum	0.75 mm <sup>2</sup>
• maximum	1.5 mm <sup>2</sup>
<b>tightening torque</b>	
• minimum	0.6 N·m
• maximum	0.8 N·m

### Mechanical Design

<b>height</b>	230 mm
<b>width</b>	215 mm
<b>depth</b>	180 mm
<b>Net Weight</b>	7.772 kg

### Environmental conditions

<b>ambient temperature during operation</b>	
• minimum	-25 °C
• maximum	70 °C
<b>ambient temperature during storage</b>	
• minimum	-40 °C
• maximum	80 °C


### Certificates

<b>reference code according to IEC 81346-2</b>	M
--	---

### Approvals Certificates

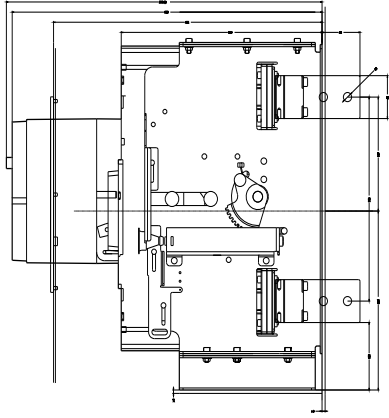
Environment	General Product Approval	Test Certificates
<a href="#">Environmental Conformations</a>		<a href="#">Special Test Certificate</a>
<a href="#">Environmental Conformations</a>	<a href="#">Confirmation</a>	

### other

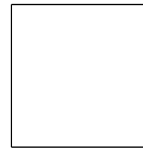
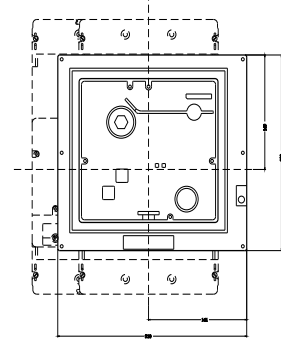
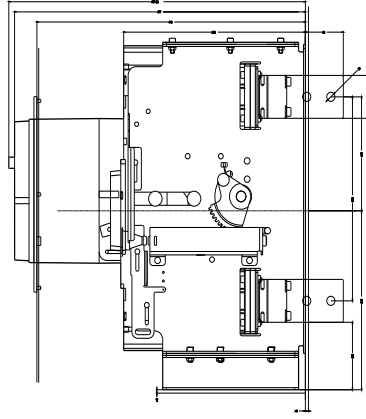
<a href="#">Confirmation</a>		<a href="#">Miscellaneous</a>
------------------------------	---	-------------------------------

### Further information

- Information on the packaging**  
<https://support.industry.siemens.com/cs/ww/en/view/109813875>
- Information for data generation and storage**  
<https://support.industry.siemens.com/cs/ww/en/view/109995012>
- Information- and Downloadcenter (Catalogs, Brochures,...)**  
<https://www.siemens.com/lowvoltage/catalogs>
- Industry Mall (Online ordering system)**  
<https://mall.industry.siemens.com/mall/en/en/Catalog/product?mlfb=3VL9800-3MN00>
- Service&Support (Manuals, Certificates, Characteristics, FAQs,...)**  
<https://support.industry.siemens.com/cs/ww/en/ps/3VL9800-3MN00>
- Image database (product images, 2D dimension drawings, 3D models, device circuit diagrams, ...)**  
[https://www.automation.siemens.com/bilddb/cax\\_en.aspx?mlfb=3VL9800-3MN00](https://www.automation.siemens.com/bilddb/cax_en.aspx?mlfb=3VL9800-3MN00)
- CAx-Online-Generator**  
<https://www.siemens.com/cax>
- Tender specifications**  
<https://www.siemens.com/specifications>
- Characteristic curves**  
[https://curves.simaris.siemens.com/curves/<mmp\\_prod\\_noCOMP="HAUPT"></mmp\\_prod\\_no>](https://curves.simaris.siemens.com/curves/<mmp_prod_noCOMP=)



01 Antriebsmotor  
02 Regelsystem



last modified:

6/15/2025 

