



accessory for VL1250, VL1600, motorized operating mechanism 42...48V AC/DC  
spare part product only for replacement purposes

Model	
product brand name	SENTRON
product designation	Motorized operating mechanism
design of the product	Accessories for VL1250; VL1600
type of the driving mechanism	motorized operating mechanism
General technical data	
operating frequency maximum	30 1/h
Voltage	
fuse protection type for external auxiliary power supply required	NEOZED fuse (gL/gG): 4 A / miniature circuit breaker, C char.: 4 A
operating range factor control supply voltage rated value	
<ul style="list-style-type: none"> <li>at DC initial value</li> <li>at DC full-scale value</li> <li>at AC at 50 Hz initial value</li> <li>at AC at 50 Hz full-scale value</li> <li>at AC at 60 Hz initial value</li> <li>at AC at 60 Hz full-scale value</li> </ul>	0.85 1.1 0.85 1.1 0.85 1.1
Protection class	
protection class IP	IP30
Control current	
operating apparent power	250 VA
control supply voltage	
<ul style="list-style-type: none"> <li>at DC rated value minimum</li> <li>at DC rated value maximum</li> <li>at AC at 50 Hz rated value minimum</li> <li>at AC at 50 Hz rated value maximum</li> <li>at AC at 60 Hz rated value minimum</li> <li>at AC at 60 Hz rated value maximum</li> </ul>	48 V 42 V 42 V 48 V 42 V 48 V
Accessories	
accessories	Accessories for VL1250; VL1600
pulse duration minimum	50 ms
Connections	
stripped length	10 mm
connectable conductor cross-section solid	
<ul style="list-style-type: none"> <li>minimum</li> <li>maximum</li> </ul>	0.75 mm <sup>2</sup> 1.5 mm <sup>2</sup>
connectable conductor cross-section stranded	
<ul style="list-style-type: none"> <li>minimum</li> <li>maximum</li> </ul>	0.75 mm <sup>2</sup> 1.5 mm <sup>2</sup>
connectable conductor cross-section finely stranded with	

<b>core end processing</b>	
• minimum	0.75 mm <sup>2</sup>
• maximum	1.5 mm <sup>2</sup>
<b>tightening torque</b>	
• minimum	0.6 N·m
• maximum	0.8 N·m

### Mechanical Design

<b>height</b>	230 mm
<b>width</b>	215 mm
<b>depth</b>	180 mm
<b>Net Weight</b>	7.945 kg

### Environmental conditions

<b>ambient temperature during operation</b>	
• minimum	-25 °C
• maximum	70 °C
<b>ambient temperature during storage</b>	
• minimum	-40 °C
• maximum	80 °C


### Certificates

<b>reference code according to IEC 81346-2</b>	M
--	---

### Approvals Certificates

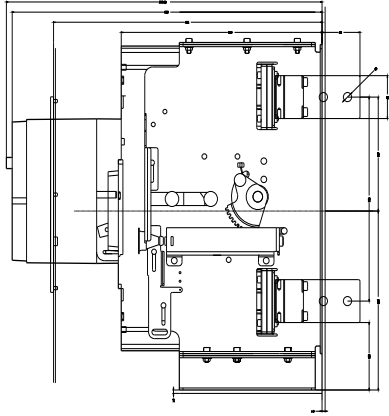
Environment	General Product Approval	Test Certificates
<a href="#">Environmental Confirmations</a> 	<a href="#">Confirmation</a> 	<a href="#">Special Test Certificate</a> 

### other

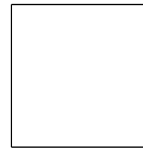
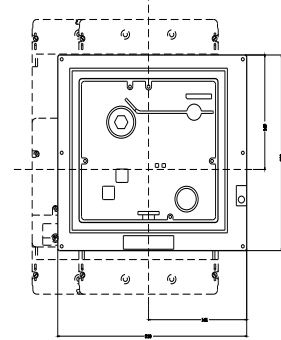
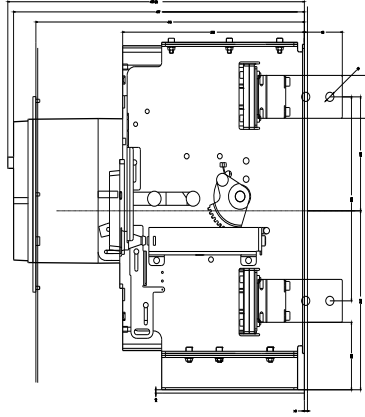
<a href="#">Confirmation</a> 	<a href="#">Miscellaneous</a>
---	-------------------------------

### Further information

**Information on the packaging**  
<https://support.industry.siemens.com/cs/ww/en/view/109813875>  
**Information for data generation and storage**  
<https://support.industry.siemens.com/cs/ww/en/view/109995012>  
**Information- and Downloadcenter (Catalogs, Brochures,...)**  
<https://www.siemens.com/lowvoltage/catalogs>  
**Industry Mall (Online ordering system)**  
<https://mall.industry.siemens.com/mall/en/en/Catalog/product?mlfb=3VL9800-3ML00>  
**Service&Support (Manuals, Certificates, Characteristics, FAQs,...)**  
<https://support.industry.siemens.com/cs/ww/en/ps/3VL9800-3ML00>  
**Image database (product images, 2D dimension drawings, 3D models, device circuit diagrams, ...)**  
[https://www.automation.siemens.com/bilddb/cax\\_en.aspx?mlfb=3VL9800-3ML00](https://www.automation.siemens.com/bilddb/cax_en.aspx?mlfb=3VL9800-3ML00)  
**CAx-Online-Generator**  
<https://www.siemens.com/cax>  
**Tender specifications**  
<https://www.siemens.com/specifications>  
**Characteristic curves**  
[https://curves.simaris.siemens.com/curves/<mmp\\_prod\\_noCOMP="HAUPT"></mmp\\_prod\\_no>](https://curves.simaris.siemens.com/curves/<mmp_prod_noCOMP=)



© Siemens  
© Siemens



last modified:

6/15/2025 

