



Figure similar

accessory for VL1250, VL1600, motorized operating mechanism 24 VDC spare part product only for replacement purposes

| Model | |
|--|--|
| product brand name | SETRON |
| product designation | Motorized operating mechanism |
| design of the product | Accessories for VL1250; VL1600 |
| type of the driving mechanism | motorized operating mechanism |
| General technical data | |
| operating frequency maximum | 30 1/h |
| Voltage | |
| fuse protection type for external auxiliary power supply required | NEOZED fuse (gL/gG): 6 A / miniature circuit breaker, C char.: 6 A |
| operating range factor control supply voltage rated value | |
| • at DC initial value | 0.85 |
| • at DC full-scale value | 1.1 |
| • at AC at 50 Hz initial value | 0.85 |
| • at AC at 50 Hz full-scale value | 1.1 |
| • at AC at 60 Hz initial value | 0.85 |
| • at AC at 60 Hz full-scale value | 1.1 |
| Protection class | |
| protection class IP | IP30 |
| Control current | |
| operating apparent power | 250 VA |
| control supply voltage | |
| • at DC rated value minimum | 24 V |
| • at DC rated value maximum | 24 V |
| Accessories | |
| accessories | Accessories for VL1250; VL1600 |
| pulse duration minimum | 50 ms |
| Connections | |
| stripped length | 10 mm |
| connectable conductor cross-section solid | |
| • minimum | 0.75 mm ² |
| • maximum | 1.5 mm ² |
| connectable conductor cross-section stranded | |
| • minimum | 0.75 mm ² |
| • maximum | 1.5 mm ² |
| connectable conductor cross-section finely stranded with core end processing | |
| • minimum | 0.75 mm ² |
| • maximum | 1.5 mm ² |

| | |
|--------------------------|---------|
| tightening torque | |
| • minimum | 0.6 N·m |
| • maximum | 0.8 N·m |

Mechanical Design

| | |
|-------------------|---------|
| height | 230 mm |
| width | 215 mm |
| depth | 180 mm |
| Net Weight | 7.91 kg |

Environmental conditions

| | |
|---|--------|
| ambient temperature during operation | |
| • minimum | -25 °C |
| • maximum | 70 °C |
| ambient temperature during storage | |
| • minimum | -40 °C |
| • maximum | 80 °C |

Certificates

| | |
|--|---|
| reference code according to IEC 81346-2 | M |
|--|---|

Approvals Certificates

| | | |
|--------------------|---------------------------------|--------------------------|
| Environment | General Product Approval | Test Certificates |
|--------------------|---------------------------------|--------------------------|

[Environmental Confirmations](#)

[Environmental Confirmations](#)



[Confirmation](#)



[Special Test Certificate](#)

other

[Confirmation](#)



[Miscellaneous](#)

Further information

Information on the packaging

<https://support.industry.siemens.com/cs/ww/en/view/109813875>

Information for data generation and storage

<https://support.industry.siemens.com/cs/ww/en/view/109995012>

Information- and Downloadcenter (Catalogs, Brochures,...)

<https://www.siemens.com/lowvoltage/catalogs>

Industry Mall (Online ordering system)

<https://mall.industry.siemens.com/mall/en/en/Catalog/product?mlfb=3VL9800-3MJ00>

Service&Support (Manuals, Certificates, Characteristics, FAQs,...)

<https://support.industry.siemens.com/cs/ww/en/ps/3VL9800-3MJ00>

Image database (product images, 2D dimension drawings, 3D models, device circuit diagrams, ...)

https://www.automation.siemens.com/bilddb/cax_en.aspx?mlfb=3VL9800-3MJ00

CAX-Online-Generator

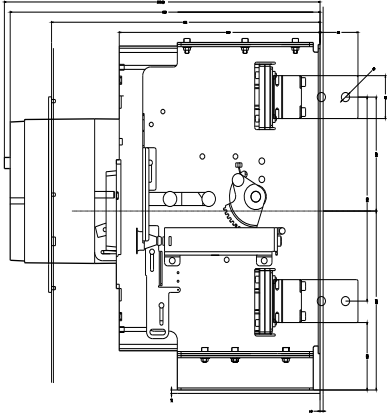
<https://www.siemens.com/cax>

Tender specifications

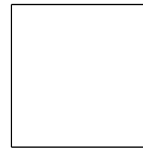
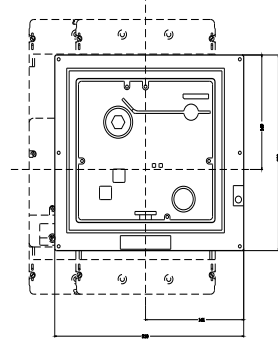
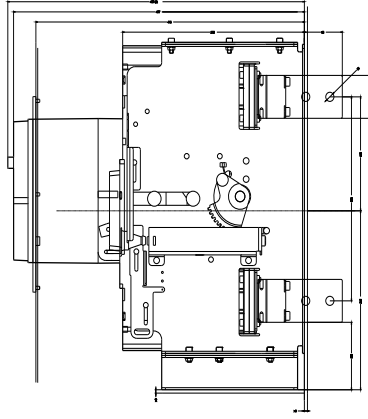
<https://www.siemens.com/specifications>

Characteristic curves

[https://curves.simaris.siemens.com/curves/<mmp_prod_noCOMP="HAUPT"></mmp_prod_no>](https://curves.simaris.siemens.com/curves/<mmp_prod_noCOMP=)



01 Antriebsmotor
02 Reglerkasten



last modified:

6/15/2025 

