

accessory for VL630, VL800, mutual interlocking with rocker, f. withdr./plug-in mounting spare part product only for replacement purposes

| Model                  |  |                   |
|------------------------|--|-------------------|
| product brand name     | SENTRON  |                   |
| product designation    | Mutual interlocking                                |                   |
| design of the product  | for withdrawable/plug-in installation, with rocker |                   |
| Accessories            |  |                   |
| accessories            | Accessory for VL630, VL800                         |                   |
| Mechanical Design      |  |                   |
| Net Weight             | 5.413 kg   |                   |
| Approvals Certificates |  |                   |
| Environment            | General Product Approval                           | Test Certificates |

[Environmental Con-  
firmations](#)

[Environmental Con-  
firmations](#)



[Confirmation](#)



[Special Test Certific-  
ate](#)

other

[Confirmation](#)



[Miscellaneous](#)

### Further information

Information on the packaging

<https://support.industry.siemens.com/cs/ww/en/view/109813875>

Information for data generation and storage

<https://support.industry.siemens.com/cs/ww/en/view/109995012>

Information- and Downloadcenter (Catalogs, Brochures,...)

<https://www.siemens.com/lowvoltage/catalogs>

Industry Mall (Online ordering system)

<https://mall.industry.siemens.com/mall/en/en/Catalog/product?mlfb=3VL9600-8LD00>

Service&Support (Manuals, Certificates, Characteristics, FAQs,...)

<https://support.industry.siemens.com/cs/ww/en/ps/3VL9600-8LD00>

Image database (product images, 2D dimension drawings, 3D models, device circuit diagrams, ...)

[https://www.automation.siemens.com/bilddb/cax\\_en.aspx?mlfb=3VL9600-8LD00](https://www.automation.siemens.com/bilddb/cax_en.aspx?mlfb=3VL9600-8LD00)

CAX-Online-Generator

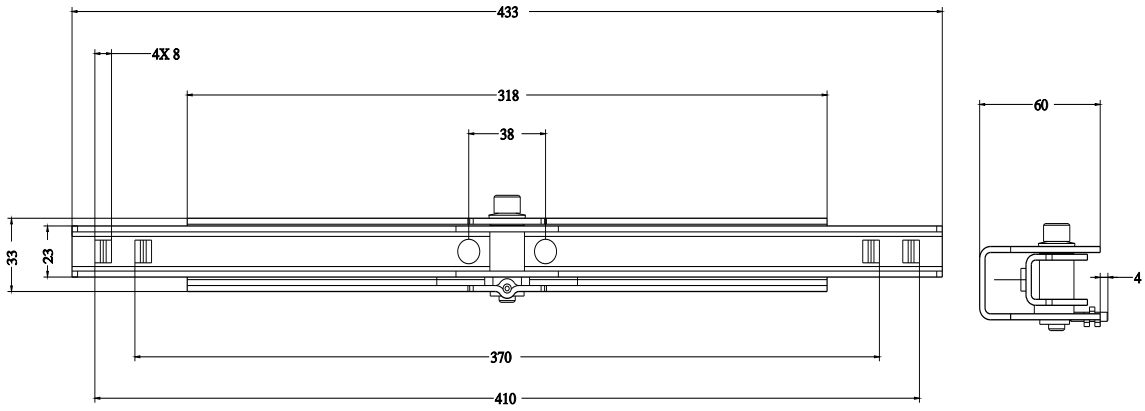
<https://www.siemens.com/cax>

Tender specifications

<https://www.siemens.com/specifications>

Characteristic curves

[https://curves.simaris.siemens.com/curves/<mmp\\_prod\\_noCOMP="HAUPT"></mmp\\_prod\\_no>](https://curves.simaris.siemens.com/curves/<mmp_prod_noCOMP=)



last modified:

5/25/2025 

