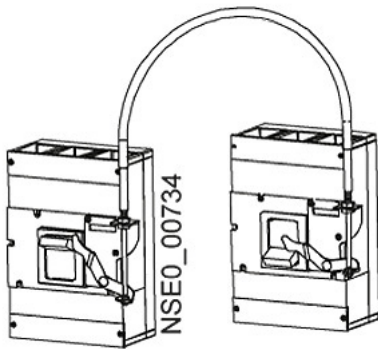


accessory for VL630, VL800, locking with Bowden cable spare part product only for replacement purposes



Model		
product brand name	SETRON	
product designation	Locking with Bowden cable	
Accessories		
accessories	Accessory for VL630, VL800	
Mechanical Design		
Net Weight	0.258 kg	
Approvals Certificates		
Environment	General Product Approval	Test Certificates

[Environmental Con-  
firmations](#)

[Environmental Con-  
firmations](#)



[Confirmation](#)



[Special Test Certific-  
ate](#)

other

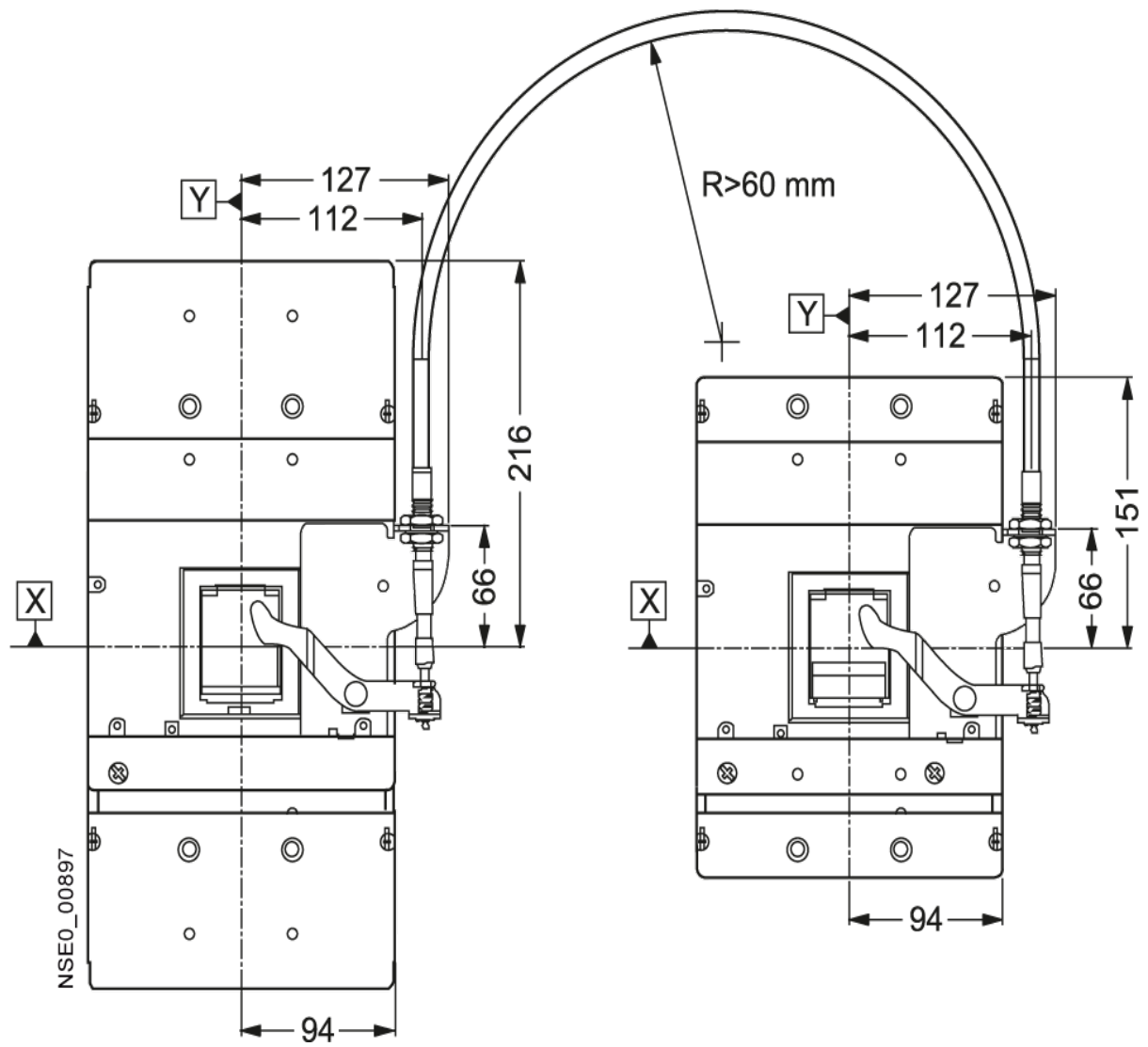
[Miscellaneous](#)

[Confirmation](#)



Further information

- Information on the packaging  
<https://support.industry.siemens.com/cs/ww/en/view/109813875>
- Information for data generation and storage  
<https://support.industry.siemens.com/cs/ww/en/view/109995012>
- Information- and Downloadcenter (Catalogs, Brochures,...)  
<https://www.siemens.com/lowvoltage/catalogs>
- Industry Mall (Online ordering system)  
<https://mall.industry.siemens.com/mall/en/en/Catalog/product?mlfb=3VL9600-8LA00>
- Service&Support (Manuals, Certificates, Characteristics, FAQs,...)  
<https://support.industry.siemens.com/cs/ww/en/ps/3VL9600-8LA00>
- Image database (product images, 2D dimension drawings, 3D models, device circuit diagrams, ...)  
[https://www.automation.siemens.com/bilddb/cax\\_en.aspx?mlfb=3VL9600-8LA00](https://www.automation.siemens.com/bilddb/cax_en.aspx?mlfb=3VL9600-8LA00)
- CAx-Online-Generator  
<https://www.siemens.com/cax>
- Tender specifications  
<https://www.siemens.com/specifications>
- Characteristic curves  
[https://curves.simaris.siemens.com/curves/<mmp\\_prod\\_noCOMP="HAUPT"></mmp\\_prod\\_no>](https://curves.simaris.siemens.com/curves/<mmp_prod_noCOMP=)



NSE0\_00897

last modified:

5/25/2025

