



accessory for VL630, VL800, front mounted rotary operator EMERGENCY-OFF, red/yellow spare part product only for replacement purposes

Model	
product brand name	SETRON
product designation	Front mounted rotary operator
Accessories	
accessories	Accessory for VL630, VL800
Mechanical Design	
Net Weight	1.404 kg
Approvals Certificates	
Environment	General Product Approval

[Environmental Confirmations](#)

[Environmental Confirmations](#)



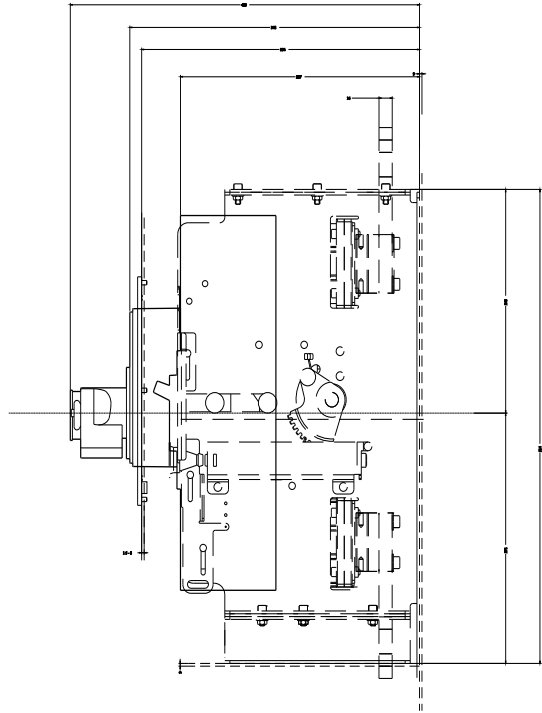
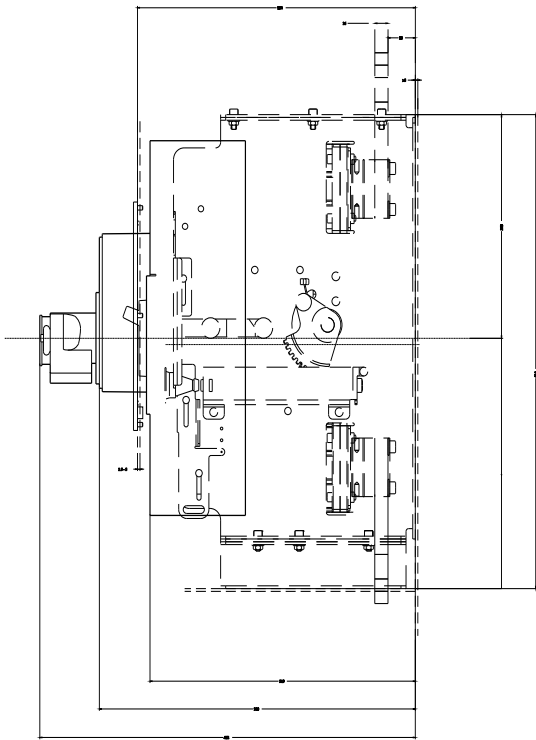
[Confirmation](#)



Test Certificates	other
<a href="#">Special Test Certificate</a>	<a href="#">Confirmation</a>
	
	<a href="#">Miscellaneous</a>

**Further information**

- Information on the packaging  
<https://support.industry.siemens.com/cs/ww/en/view/109813875>
- Information for data generation and storage  
<https://support.industry.siemens.com/cs/ww/en/view/109995012>
- Information- and Downloadcenter (Catalogs, Brochures,...)  
<https://www.siemens.com/lowvoltage/catalogs>
- Industry Mall (Online ordering system)  
<https://mall.industry.siemens.com/mall/en/en/Catalog/product?mlfb=3VL9600-3HC00>
- Service&Support (Manuals, Certificates, Characteristics, FAQs,...)  
<https://support.industry.siemens.com/cs/ww/en/ps/3VL9600-3HC00>
- Image database (product images, 2D dimension drawings, 3D models, device circuit diagrams, ...)  
[https://www.automation.siemens.com/bilddb/cax\\_en.aspx?mlfb=3VL9600-3HC00](https://www.automation.siemens.com/bilddb/cax_en.aspx?mlfb=3VL9600-3HC00)
- CAx-Online-Generator  
<https://www.siemens.com/cax>
- Tender specifications  
<https://www.siemens.com/specifications>
- Characteristic curves  
[https://curves.simaris.siemens.com/curves/<mmp\\_prod\\_noCOMP="HAUPT"></mmp\\_prod\\_no>](https://curves.simaris.siemens.com/curves/<mmp_prod_noCOMP=)



---

last modified:

5/25/2025 

