



accessory for VL400, handle locking device spare part product only for replacement purposes

Model		
product brand name	SENTRON	
product designation	Handle locking device	
Accessories		
accessories	Accessory for VL400	
Mechanical Design		
Net Weight	0.145 kg	
Approvals Certificates		
Environment	General Product Approval	Test Certificates

[Environmental Confirmations](#)

[Environmental Confirmations](#)



[Confirmation](#)



[Special Test Certificate](#)

other

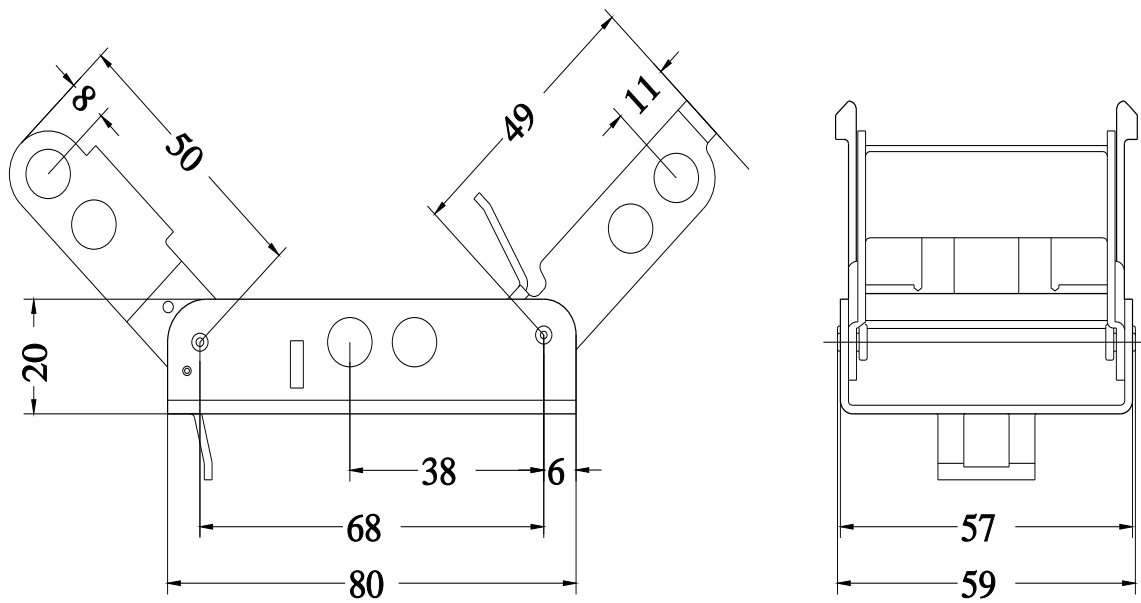
[Confirmation](#)



[Miscellaneous](#)

Further information

- Information on the packaging  
<https://support.industry.siemens.com/cs/ww/en/view/109813875>
- Information for data generation and storage  
<https://support.industry.siemens.com/cs/ww/en/view/109995012>
- Information- and Downloadcenter (Catalogs, Brochures,...)  
<https://www.siemens.com/lowvoltage/catalogs>
- Industry Mall (Online ordering system)  
<https://mall.industry.siemens.com/mall/en/en/Catalog/product?mlfb=3VL9400-3HL00>
- Service&Support (Manuals, Certificates, Characteristics, FAQs,...)  
<https://support.industry.siemens.com/cs/ww/en/ps/3VL9400-3HL00>
- Image database (product images, 2D dimension drawings, 3D models, device circuit diagrams, ...)  
[https://www.automation.siemens.com/bilddb/cax\\_en.aspx?mlfb=3VL9400-3HL00](https://www.automation.siemens.com/bilddb/cax_en.aspx?mlfb=3VL9400-3HL00)
- CAX-Online-Generator  
<https://www.siemens.com/cax>
- Tender specifications  
<https://www.siemens.com/specifications>
- Characteristic curves  
[https://curves.simaris.siemens.com/curves/<mmp\\_prod\\_noCOMP="HAUPT"></mmp\\_prod\\_no>](https://curves.simaris.siemens.com/curves/<mmp_prod_noCOMP=)



last modified:

5/25/2025 

