

\*\*\*phase-out type\*\*\* semiconductor relay, 3-phase 3RF2 30 A / 40 °C 48-600 V / 4-30 V DC 2-phase controlled spring-loaded terminal blocking voltage 1200 V for mounting on available cooling surfaces

<b>product brand name</b>	SIRIUS
<b>product designation</b>	solid-state relay
<b>design of the product</b>	2-pole controlled
<b>product type designation</b>	3RF22
<b>manufacturer's article number</b>	
<ul style="list-style-type: none"> <li>• _2 of the accessories that can be ordered</li> </ul>	<a href="#">3RF2900-0EA18</a>
<b>product designation</b>	
<ul style="list-style-type: none"> <li>• _2 of the accessories that can be ordered</li> </ul>	converter
<b>General technical data</b>	
<b>product function</b>	zero-point switching
<b>power loss [W] for rated value of the current</b>	
<ul style="list-style-type: none"> <li>• at AC in hot operating state</li> <li>• at AC in hot operating state per pole</li> <li>• without load current share typical</li> </ul>	81 W 81 W 0.9 W
<b>insulation voltage rated value</b>	600 V
surge voltage resistance of main circuit rated value	6 kV
<b>protection class IP</b>	IP20
protection class IP on the front according to IEC 60529	IP20
<b>shock resistance according to IEC 60068-2-27</b>	15 g / 11 ms
<b>vibration resistance according to IEC 60068-2-6</b>	2 g
<b>reference code according to IEC 81346-2</b>	Q
<b>Substance Prohibitance (day/month/year)</b>	07/01/2006
<b>SVHC substance name</b>	Lead monoxide (lead oxide) CAS-No. 1317-36-8 2-methyl-1-(4-methylthiophenyl)-2-morpholinopropan-1-one CAS-No. 71868-10-5 Melamine CAS-No. 108-78-1
<b>Net Weight</b>	0.14 g
<b>Main circuit</b>	
<b>number of poles for main current circuit</b>	3
<b>number of NO contacts for main contacts</b>	2
<b>number of NC contacts for main contacts</b>	0
<b>type of voltage of the operating voltage</b>	AC
<b>operating voltage</b>	
<ul style="list-style-type: none"> <li>• at AC <ul style="list-style-type: none"> <li>— at 50 Hz rated value</li> <li>— at 60 Hz rated value</li> </ul> </li> </ul>	48 ... 600 V 48 ... 600 V
<b>operating frequency rated value</b>	50 ... 60 Hz
<b>relative symmetrical tolerance of the operating frequency</b>	10 %
<b>operating range relative to the operating voltage at AC</b>	
<ul style="list-style-type: none"> <li>• at 50 Hz</li> <li>• at 60 Hz</li> </ul>	40 ... 660 V 40 ... 660 V
<b>operational current rated value maximum</b>	30 A
<b>operational current</b>	
<ul style="list-style-type: none"> <li>• at AC-1 at 400 V rated value</li> <li>• at AC-51 rated value</li> <li>• according to UL 508 rated value</li> </ul>	30 A 20 A 20 A
<b>ampacity maximum</b>	30 A
<b>operational current minimum</b>	500 mA
<b>rate of voltage rise at the thyristor for main contacts maximum permissible</b>	500 V/μs

<b>blocking voltage at the thyristor for main contacts maximum permissible</b>	1 200 V
<b>reverse current of the thyristor</b>	10 mA
<b>derating temperature</b>	40 °C
<b>surge current resistance rated value</b>	300 A
<b>I<sup>2</sup>t value maximum</b>	450 A <sup>2</sup> ·s
<b>Control circuit/ Control</b>	
<b>type of voltage of the control supply voltage</b>	DC
<b>control supply voltage 1 at DC</b>	4 ... 30 V
<b>control supply voltage at DC</b>	
• initial value for signal <1> detection	4 V
• full-scale value for signal<0> recognition	1 V
<b>control current at minimum control supply voltage</b>	
• at DC	22 mA
control current at DC rated value	30 mA
<b>ON-delay time</b>	1 ms; additionally max. one half-wave
<b>OFF-delay time</b>	1 ms; additionally max. one half-wave
<b>Installation/ mounting/ dimensions</b>	
fastening method side-by-side mounting	Yes
<b>fastening method</b>	screw fixing
<b>design of the thread of the screw for securing the equipment</b>	M4
<b>tightening torque of fixing screw maximum</b>	1.5 N·m
<b>tightening torque [lbf·in] of fixing screw maximum</b>	13 lbf·in
<b>height</b>	95 mm
<b>width</b>	45 mm
<b>depth</b>	47 mm
<b>Connections/ Terminals</b>	
<b>product component removable terminal for auxiliary and control circuit</b>	Yes
<b>type of electrical connection</b>	
• for main current circuit	spring-loaded terminals
• for auxiliary and control circuit	spring-loaded terminals
<b>type of connectable conductor cross-sections</b>	
• for main contacts	
— solid	2x (0.5 ... 2.5 mm <sup>2</sup> )
— finely stranded with core end processing	2x (0.5 ... 1.5 mm <sup>2</sup> )
— finely stranded without core end processing	2x (0.5 ... 2.5 mm <sup>2</sup> )
• for AWG cables for main contacts	2x (18 ... 14)
<b>connectable conductor cross-section for main contacts</b>	
• solid or stranded	0.5 ... 2.5 mm <sup>2</sup>
• finely stranded with core end processing	0.5 ... 1.5 mm <sup>2</sup>
• finely stranded without core end processing	0.5 ... 2.5 mm <sup>2</sup>
<b>type of connectable conductor cross-sections</b>	
• for auxiliary and control contacts	
— solid	0.5 ... 1.5 mm <sup>2</sup>
— finely stranded with core end processing	0.5 ... 2.5 mm <sup>2</sup>
— finely stranded without core end processing	0.5 ... 2.5 mm <sup>2</sup>
• for AWG cables for auxiliary and control contacts	1x (20 ... 12)
<b>AWG number as coded connectable conductor cross section for main contacts</b>	10 ... 14
<b>tightening torque</b>	
• for main contacts with screw-type terminals	2 ... 2.5 N·m
<b>design of the thread of the connection screw</b>	
• for main contacts	M4
<b>stripped length of the cable</b>	
• for main contacts	10 mm
• for auxiliary and control contacts	10 mm
<b>UL/CSA ratings</b>	
<b>operational current according to UL 508 rated value</b>	20 A

**Electrical Safety**

**touch protection on the front according to IEC 60529**      finger-safe, for vertical contact from the front

**Ambient conditions**

installation altitude at height above sea level maximum      1 000 m

**ambient temperature**

- during operation      -25 ... +60 °C
- during storage      -55 ... +80 °C

**Electromagnetic compatibility**

**conducted interference**

- due to burst according to IEC 61000-4-4      2 kV / 5 kHz, behavior criterion 2
- due to conductor-earth surge according to IEC 61000-4-5      2 kV, behavior criterion 2
- due to conductor-conductor surge according to IEC 61000-4-5      1 kV, behavior criterion 2
- due to high-frequency radiation according to IEC 61000-4-6      140 dBuV in the frequency range 0.15 ... 80 MHz, behavior criterion 1

**electrostatic discharge according to IEC 61000-4-2**      4 kV contact discharging / 8 kV air discharging, behavior criterion 2

**conducted HF interference emissions according to CISPR11**      Class A for industrial environment

**field-bound HF interference emission according to CISPR11**      Class A for industrial environment

**Short-circuit protection, design of the fuse link**

manufacturer's article number

- of full range R fuse link for semiconductor protection at NH design usable      [3NE1814-0: These fuses have a smaller rated current than the semiconductor relays](#)
- of back-up R fuse link for semiconductor protection at NH design usable      [3NE8003-1](#)
- of back-up R fuse link for semiconductor protection at cylindrical design 10 x 38 mm usable      [3NC1025: These fuses have a smaller rated current than the semiconductor relays](#)
- of back-up R fuse link for semiconductor protection at cylindrical design 14 x 51 mm usable      [3NC1430](#)
- of back-up R fuse link for semiconductor protection at cylindrical design 22 x 58 mm usable      [3NC2232](#)

manufacturer's article number of the gG fuse at NH design usable

- up to 460 V      [3NA3803-6: These fuses have a smaller rated current than the semiconductor relays](#)
- up to 600 V      [3NA3803-6: These fuses have a smaller rated current than the semiconductor relays](#)

**Approvals Certificates**

**Environment**      **General Product Approval**

[Environmental Confirmations](#)



**General Product Approval**      **EMV**      **Test Certificates**      **other**



[Type Test Certificates/Test Report](#)

[Confirmation](#)

[Miscellaneous](#)

[Confirmation](#)

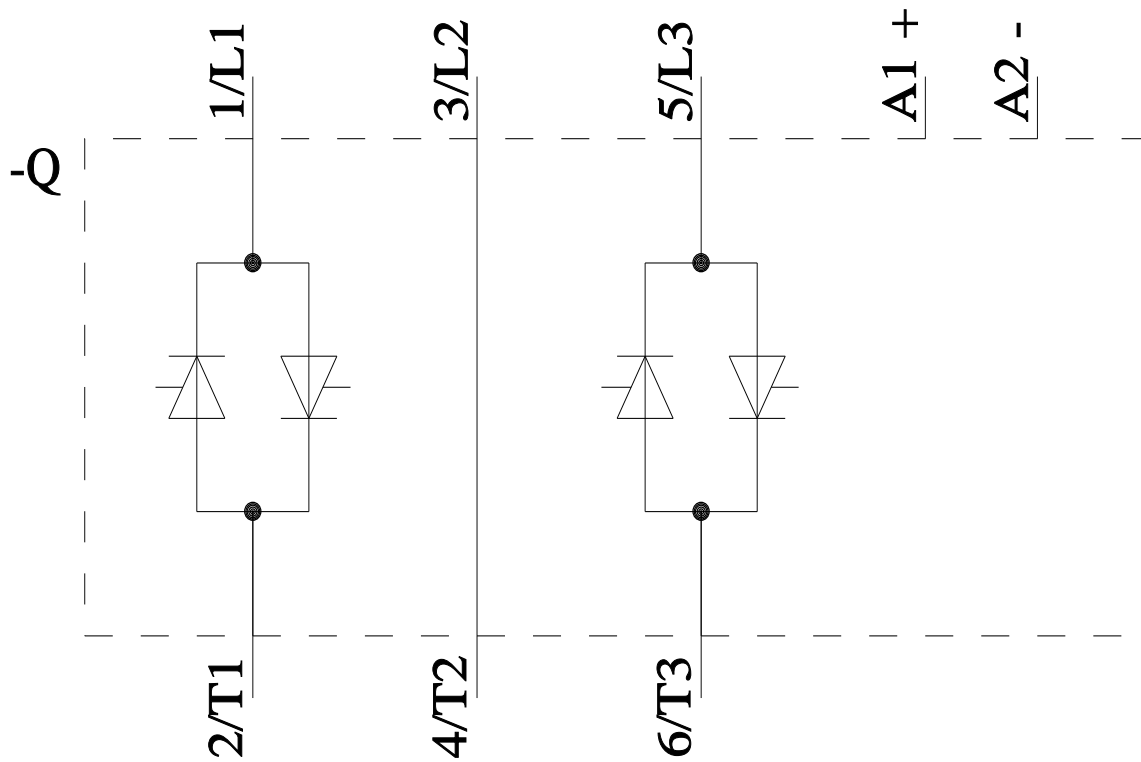
**other**



**Further information**

Information on the packaging  
<https://support.industry.siemens.com/cs/ww/en/view/109813875>





last modified:

4/4/2026 