



SIRIUS soft starter 200-480 V 570 A, 24 V AC/DC spring-type terminals Thermistor input

<b>product brand name</b>	SIRIUS
<b>product category</b>	Hybrid switching devices
<b>product designation</b>	Soft starter
<b>product type designation</b>	3RW52
<b>manufacturer's article number</b>	<ul style="list-style-type: none"> <li>• of standard HMI module usable <a href="#">3RW5980-0HS00</a></li> <li>• of high feature HMI module usable <a href="#">3RW5980-0HF00</a></li> <li>• of communication module PROFINET standard usable <a href="#">3RW5980-0CS00</a></li> <li>• of communication module PROFIBUS usable <a href="#">3RW5980-0CP00</a></li> <li>• of communication module Modbus TCP usable <a href="#">3RW5980-0CT00</a></li> <li>• of communication module Modbus RTU usable <a href="#">3RW5980-0CR00</a></li> <li>• of communication module Ethernet/IP <a href="#">3RW5980-0CE00</a></li> <li>• of circuit breaker usable at 400 V <a href="#">3VA2580-6HN32-0AA0; Type of coordination 1, Iq = 65 kA, CLASS 10</a></li> <li>• of circuit breaker usable at 500 V <a href="#">3VA2580-6HN32-0AA0; Type of coordination 1, Iq = 65 kA, CLASS 10</a></li> <li>• of circuit breaker usable at 400 V at inside-delta circuit <a href="#">3VA2510-6HN32-0AA0; Type of coordination 1, Iq = 65 kA, CLASS 10</a></li> <li>• of circuit breaker usable at 500 V at inside-delta circuit <a href="#">3VA2510-6HN32-0AA0; Type of coordination 1, Iq = 65 kA, CLASS 10</a></li> <li>• of the gG fuse usable up to 690 V 2x3NA3365-6; Type of coordination 1, Iq = 65 kA</li> <li>• of the gG fuse usable at inside-delta circuit up to 500 V 2x3NA3365-6; Type of coordination 1, Iq = 65 kA</li> <li>• of full range R fuse link for semiconductor protection usable up to 690 V <a href="#">3NE1437-2; Type of coordination 2, Iq = 65 kA</a></li> <li>• of back-up R fuse link for semiconductor protection usable up to 690 V <a href="#">3NE3340-8; Type of coordination 2, Iq = 65 kA</a></li> </ul>

General technical data	
<b>starting voltage [%]</b>	30 ... 100 %
<b>stopping voltage [%]</b>	50 %; non-adjustable
<b>start-up ramp time of soft starter</b>	0 ... 20 s
<b>current limiting value [%] adjustable</b>	130 ... 700 %
<b>certificate of suitability</b>	
• CE marking	Yes
• UL approval	Yes
• CSA approval	Yes
<b>product component</b>	
• HMI-High Feature	No
• is supported HMI-Standard	Yes
• is supported HMI-High Feature	Yes
<b>product feature integrated bypass contact system</b>	Yes
<b>number of controlled phases</b>	3

<b>buffering time in the event of power failure</b>	
• for main current circuit	100 ms
• for control circuit	100 ms
<b>insulation voltage rated value</b>	600 V
<b>degree of pollution</b>	3, acc. to IEC 60947-4-2
<b>impulse voltage rated value</b>	6 kV
<b>blocking voltage of the thyristor maximum</b>	1 600 V
<b>service factor</b>	1
<b>surge voltage resistance rated value</b>	6 kV
<b>maximum permissible voltage for protective separation</b>	
• between main and auxiliary circuit	600 V
<b>shock resistance</b>	15 g / 11 ms, from 12 g / 11 ms with potential contact lifting
<b>vibration resistance</b>	15 mm to 6 Hz; 2 g to 500 Hz
utilization category according to IEC 60947-4-2	AC 53a
<b>reference code according to IEC 81346-2</b>	Q
<b>Substance Prohibitance (day/month/year)</b>	02/15/2018
<b>SVHC substance name</b>	Lead CAS-No. 7439-92-1 Lead monoxide (lead oxide) CAS-No. 1317-36-8 2,2',6,6'-tetrabromo-4,4'-isopropylidenediphenol CAS-No. 79-94-7 2-methyl-1-(4-methylthiophenyl)-2-morpholinopropan-1-one CAS-No. 71868-10-5 Melamine CAS-No. 108-78-1 6,6'-di-tert-butyl-2,2'-methylenedi-p-cresol CAS-No. 119-47-1 Dibutylbis(pentane-2,4-dionato-O,O')tin CAS-No. 22673-19-4
<b>Net Weight</b>	12.034 kg
<b>product function</b>	
• ramp-up (soft starting)	Yes
• soft stopping	Yes
• Soft Torque	Yes
• adjustable current limitation	Yes
• pump stop	Yes
• intrinsic device protection	Yes
• motor overload protection	Yes; Full motor protection (thermistor motor protection and electronic motor overload protection)
• evaluation of thermistor motor protection	Yes; Type A PTC or Klaxon / Thermoclick
• inside-delta circuit	Yes
• auto-RESET	Yes
• manual RESET	Yes
• remote reset	Yes; By turning off the control supply voltage
• communication function	Yes
• operating measured value display	Yes; Only in conjunction with special accessories
• error logbook	Yes; Only in conjunction with special accessories
• via software parameterizable	No
• via software configurable	Yes
• <b>PROFInergy</b>	Yes; in connection with the PROFINET Standard communication module
• <b>firmware update</b>	Yes
• <b>removable terminal for control circuit</b>	Yes
• torque control	No
• analog output	No
<b>Power Electronics</b>	
<b>operational current</b>	
• at 40 °C rated value	570 A
• at 50 °C rated value	504 A
• at 60 °C rated value	460 A
<b>operational current at inside-delta circuit</b>	
• at 40 °C rated value	987 A
• at 50 °C rated value	873 A
• at 60 °C rated value	796 A
<b>operating voltage</b>	
• rated value	200 ... 480 V
• at inside-delta circuit rated value	200 ... 480 V

<b>relative negative tolerance of the operating voltage</b>	-15 %
<b>relative positive tolerance of the operating voltage</b>	10 %
<b>relative negative tolerance of the operating voltage at inside-delta circuit</b>	-15 %
<b>relative positive tolerance of the operating voltage at inside-delta circuit</b>	10 %
<b>operating power for 3-phase motors</b>	
• at 230 V at 40 °C rated value	160 kW
• at 230 V at inside-delta circuit at 40 °C rated value	315 kW
• at 400 V at 40 °C rated value	315 kW
• at 400 V at inside-delta circuit at 40 °C rated value	560 kW
<b>Operating frequency 1 rated value</b>	50 Hz
<b>Operating frequency 2 rated value</b>	60 Hz
<b>relative negative tolerance of the operating frequency</b>	-10 %
<b>relative positive tolerance of the operating frequency</b>	10 %
<b>adjustable motor current</b>	
• at rotary coding switch on switch position 1	240 A
• at rotary coding switch on switch position 2	262 A
• at rotary coding switch on switch position 3	284 A
• at rotary coding switch on switch position 4	306 A
• at rotary coding switch on switch position 5	328 A
• at rotary coding switch on switch position 6	350 A
• at rotary coding switch on switch position 7	372 A
• at rotary coding switch on switch position 8	394 A
• at rotary coding switch on switch position 9	416 A
• at rotary coding switch on switch position 10	438 A
• at rotary coding switch on switch position 11	460 A
• at rotary coding switch on switch position 12	482 A
• at rotary coding switch on switch position 13	504 A
• at rotary coding switch on switch position 14	526 A
• at rotary coding switch on switch position 15	548 A
• at rotary coding switch on switch position 16	570 A
• minimum	240 A
<b>adjustable motor current</b>	
• for inside-delta circuit at rotary coding switch on switch position 1	416 A
• for inside-delta circuit at rotary coding switch on switch position 2	454 A
• for inside-delta circuit at rotary coding switch on switch position 3	492 A
• for inside-delta circuit at rotary coding switch on switch position 4	530 A
• for inside-delta circuit at rotary coding switch on switch position 5	568 A
• for inside-delta circuit at rotary coding switch on switch position 6	606 A
• for inside-delta circuit at rotary coding switch on switch position 7	644 A
• for inside-delta circuit at rotary coding switch on switch position 8	682 A
• for inside-delta circuit at rotary coding switch on switch position 9	721 A
• for inside-delta circuit at rotary coding switch on switch position 10	759 A
• for inside-delta circuit at rotary coding switch on switch position 11	797 A
• for inside-delta circuit at rotary coding switch on switch position 12	835 A
• for inside-delta circuit at rotary coding switch on switch position 13	873 A
• for inside-delta circuit at rotary coding switch on switch position 14	911 A
• for inside-delta circuit at rotary coding switch on switch position 15	949 A

<ul style="list-style-type: none"> <li>• for inside-delta circuit at rotary coding switch on switch position 16</li> </ul>	987 A
<ul style="list-style-type: none"> <li>• at inside-delta circuit minimum</li> </ul>	416 A
<b>minimum load [%]</b>	15 %; Relative to smallest settable Ie
<b>power loss [W] for rated value of the current at AC</b>	
<ul style="list-style-type: none"> <li>• at 40 °C after startup</li> </ul>	183 W
<ul style="list-style-type: none"> <li>• at 50 °C after startup</li> </ul>	163 W
<ul style="list-style-type: none"> <li>• at 60 °C after startup</li> </ul>	153 W
<b>power loss [W] at AC at current limitation 350 %</b>	
<ul style="list-style-type: none"> <li>• at 40 °C during startup</li> </ul>	10 241 W
<ul style="list-style-type: none"> <li>• at 50 °C during startup</li> </ul>	8 500 W
<ul style="list-style-type: none"> <li>• at 60 °C during startup</li> </ul>	7 663 W

#### Control circuit/ Control

<b>type of voltage of the control supply voltage</b>	AC/DC
<b>control supply voltage at AC</b>	
<ul style="list-style-type: none"> <li>• at 50 Hz rated value</li> </ul>	24 V
<ul style="list-style-type: none"> <li>• at 60 Hz rated value</li> </ul>	24 V
<b>relative negative tolerance of the control supply voltage at AC at 50 Hz</b>	-20 %
<b>relative positive tolerance of the control supply voltage at AC at 50 Hz</b>	20 %
<b>relative negative tolerance of the control supply voltage at AC at 60 Hz</b>	-20 %
<b>relative positive tolerance of the control supply voltage at AC at 60 Hz</b>	20 %
<b>control supply voltage frequency</b>	50 ... 60 Hz
<b>relative negative tolerance of the control supply voltage frequency</b>	-10 %
<b>relative positive tolerance of the control supply voltage frequency</b>	10 %
<b>control supply voltage at DC rated value</b>	24 V
<b>relative negative tolerance of the control supply voltage at DC</b>	-20 %
<b>relative positive tolerance of the control supply voltage at DC</b>	20 %
<b>control supply current in standby mode rated value</b>	160 mA
<b>holding current in bypass operation rated value</b>	470 mA
<b>inrush current by closing the bypass contacts maximum</b>	7.6 A
inrush current peak at application of control supply voltage maximum	3.3 A
duration of inrush current peak at application of control supply voltage	12.1 ms
<b>design of the overvoltage protection</b>	Varistor
<b>design of short-circuit protection for control circuit</b>	4 A gG fuse (Icu=1 kA), 6 A quick-acting fuse (Icu=1 kA), C1 miniature circuit breaker (Icu= 600 A), C6 miniature circuit breaker (Icu= 300 A); Is not part of scope of supply

#### Inputs/ Outputs

<b>number of digital inputs</b>	1
<b>number of digital outputs</b>	3
<ul style="list-style-type: none"> <li>• not parameterizable</li> </ul>	2
<b>digital output version</b>	2 normally-open contacts (NO) / 1 changeover contact (CO)
<b>number of analog outputs</b>	0
<b>switching capacity current of the relay outputs</b>	
<ul style="list-style-type: none"> <li>• at AC-15 at 250 V rated value</li> </ul>	3 A
<ul style="list-style-type: none"> <li>• at DC-13 at 24 V rated value</li> </ul>	1 A

#### Installation/ mounting/ dimensions

<b>mounting position</b>	with vertical mounting surface +/-90° rotatable, with vertical mounting surface +/- 22.5° tiltable to the front and back
<b>fastening method</b>	screw fixing
<b>height</b>	393 mm
<b>width</b>	210 mm
<b>depth</b>	203 mm
required spacing with side-by-side mounting	

<ul style="list-style-type: none"> <li>• forwards</li> <li>• backwards</li> <li>• upwards</li> <li>• downwards</li> <li>• at the side</li> </ul>	10 mm 0 mm 100 mm 75 mm 5 mm
<b>weight without packaging</b>	10.6 kg
<b>Connections/ Terminals</b>	
<b>type of electrical connection</b>	
<ul style="list-style-type: none"> <li>• for main current circuit</li> <li>• for control circuit</li> </ul>	busbar connection spring-loaded terminals
<b>width of connection bar maximum</b>	45 mm
<b>wire length for thermistor connection</b>	
<ul style="list-style-type: none"> <li>• with conductor cross-section = 0.5 mm<sup>2</sup> maximum</li> <li>• with conductor cross-section = 1.5 mm<sup>2</sup> maximum</li> <li>• with conductor cross-section = 2.5 mm<sup>2</sup> maximum</li> </ul>	50 m 150 m 250 m
<b>type of connectable conductor cross-sections</b>	
<ul style="list-style-type: none"> <li>• for DIN cable lug for main contacts stranded</li> <li>• for DIN cable lug for main contacts finely stranded</li> </ul>	2x (50 ... 240 mm <sup>2</sup> ) 2x (70 ... 240 mm <sup>2</sup> )
<b>type of connectable conductor cross-sections</b>	
<ul style="list-style-type: none"> <li>• for control circuit solid</li> <li>• for control circuit finely stranded with core end processing</li> <li>• for AWG cables for control circuit solid</li> <li>• for AWG cables for control circuit finely stranded with core end processing</li> </ul>	2x (0.25 ... 1.5 mm <sup>2</sup> ) 2x (0.25 ... 1.5 mm <sup>2</sup> ) 2x (24 ... 16) 2x (24 ... 16)
<b>wire length</b>	
<ul style="list-style-type: none"> <li>• between soft starter and motor maximum</li> <li>• at the digital inputs at AC maximum</li> <li>• at the digital inputs at DC maximum</li> </ul>	800 m 100 m 1 000 m
<b>tightening torque</b>	
<ul style="list-style-type: none"> <li>• for main contacts with screw-type terminals</li> <li>• for auxiliary and control contacts with screw-type terminals</li> </ul>	14 ... 24 N·m 0.8 ... 1.2 N·m
<b>tightening torque [lbf·in]</b>	
<ul style="list-style-type: none"> <li>• for main contacts with screw-type terminals</li> <li>• for auxiliary and control contacts with screw-type terminals</li> </ul>	124 ... 210 lbf·in 7 ... 10.3 lbf·in
<b>Ambient conditions</b>	
installation altitude at height above sea level maximum	5 000 m
<b>ambient temperature</b>	
<ul style="list-style-type: none"> <li>• during operation</li> <li>• during storage and transport</li> </ul>	-25 ... +60 °C; Please observe derating at temperatures of 40 °C or above -40 ... +80 °C
<b>environmental category</b>	
<ul style="list-style-type: none"> <li>• during operation according to IEC 60721</li> <li>• during storage according to IEC 60721</li> <li>• during transport according to IEC 60721</li> </ul>	3K6 (no ice formation, only occasional condensation), 3C3 (no salt mist), 3S2 (sand must not get into the devices), 3M6 1K6 (only occasional condensation), 1C2 (no salt mist), 1S2 (sand must not get inside the devices), 1M4 2K2, 2C1, 2S1, 2M2 (max. fall height 0.3 m)
<b>Electromagnetic compatibility</b>	
<b>EMC emitted interference</b>	acc. to IEC 60947-4-2: Class A
<b>Communication/ Protocol</b>	
<b>communication module is supported</b>	
<ul style="list-style-type: none"> <li>• PROFINET standard</li> <li>• EtherNet/IP</li> <li>• Modbus RTU</li> <li>• Modbus TCP</li> <li>• PROFIBUS</li> </ul>	Yes Yes Yes Yes Yes
<b>UL/CSA ratings</b>	
<b>manufacturer's article number</b>	
<ul style="list-style-type: none"> <li>• of the fuse</li> </ul> — usable for Standard Faults up to 575/600 V	Type: Class J / L, max. 1600 A; Iq = 30 kA

according to UL

— usable for High Faults up to 575/600 V according to UL

— usable for Standard Faults at inside-delta circuit up to 575/600 V according to UL

— usable for High Faults at inside-delta circuit up to 575/600 V according to UL

Type: Class J / L, max. 1200 A; Iq = 100 kA

Type: Class J / L, max. 1600 A; Iq = 30 kA

Type: Class J / L, max. 1200 A; Iq = 100 kA

**operating power [hp] for 3-phase motors**

- at 200/208 V at 50 °C rated value
- at 220/230 V at 50 °C rated value
- at 460/480 V at 50 °C rated value
- at 200/208 V at inside-delta circuit at 50 °C rated value
- at 220/230 V at inside-delta circuit at 50 °C rated value
- at 460/480 V at inside-delta circuit at 50 °C rated value

150 hp  
200 hp  
400 hp  
300 hp  
350 hp  
750 hp

**contact rating of auxiliary contacts according to UL**

R300-B300

**Electrical Safety**

**protection class IP on the front according to IEC 60529**

IP00; IP20 with cover

**touch protection on the front according to IEC 60529**

finger-safe, for vertical contact from the front with cover

**Approvals Certificates**

**Environmental Product Declaration**

- global warming potential [CO2 eq] / during manufacturing 84.2 kg
- global warming potential [CO2 eq] / during sales 2.81 kg
- global warming potential [CO2 eq] / during operation 721 kg
- global warming potential [CO2 eq] / after end of life -21.8 kg
- global warming potential [CO2 eq] / total 786 kg

**Environment**

**General Product Approval**

[Environmental Confirmations](#)



**General Product Approval**

**EMV**

**Test Certificates**

**Maritime application**



[Type Test Certificates/Test Report](#)



**Maritime application**

**other**



[Confirmation](#)

[Confirmation](#)

**other**



**Further information**

**Information on the packaging**

<https://support.industry.siemens.com/cs/ww/en/view/109813875>

**Information for data generation and storage**

<https://support.industry.siemens.com/cs/ww/en/view/109995012>

**Information- and Downloadcenter (Catalogs, Brochures,...)**

<https://www.siemens.com/ic10>

**Industry Mall (Online ordering system)**

<https://mall.industry.siemens.com/mall/en/en/Catalog/product?mlfb=3RW5248-2TC04>

Service&Support (Manuals, Certificates, Characteristics, FAQs,...)

<https://support.industry.siemens.com/cs/ww/en/ps/3RW5248-2TC04>

Image database (product images, 2D dimension drawings, 3D models, device circuit diagrams, EPLAN macros, ...)

[https://www.automation.siemens.com/bilddb/cax\\_de.aspx?mlfb=3RW5248-2TC04&lang=en](https://www.automation.siemens.com/bilddb/cax_de.aspx?mlfb=3RW5248-2TC04&lang=en)

Cax online generator

<https://support.automation.siemens.com/WW/CAXorder/default.aspx?lang=en&mlfb=3RW5248-2TC04>

Characteristic curves

[https://curves.simaris.siemens.com/curves/<mmp\\_prod\\_noCOMP="HAUPT"></mmp\\_prod\\_no>](https://curves.simaris.siemens.com/curves/<mmp_prod_noCOMP=)

Characteristic: Tripping characteristics, I<sup>2</sup>t, Let-through current

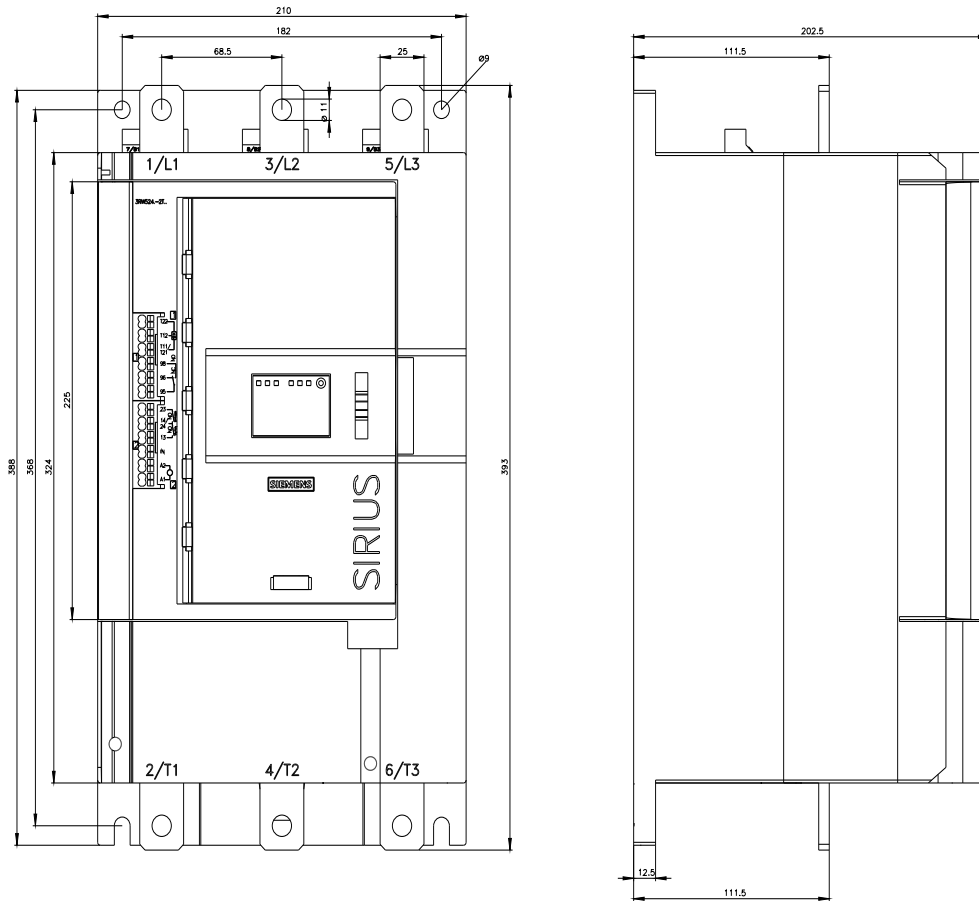
<https://support.industry.siemens.com/cs/ww/en/ps/3RW5248-2TC04/char>

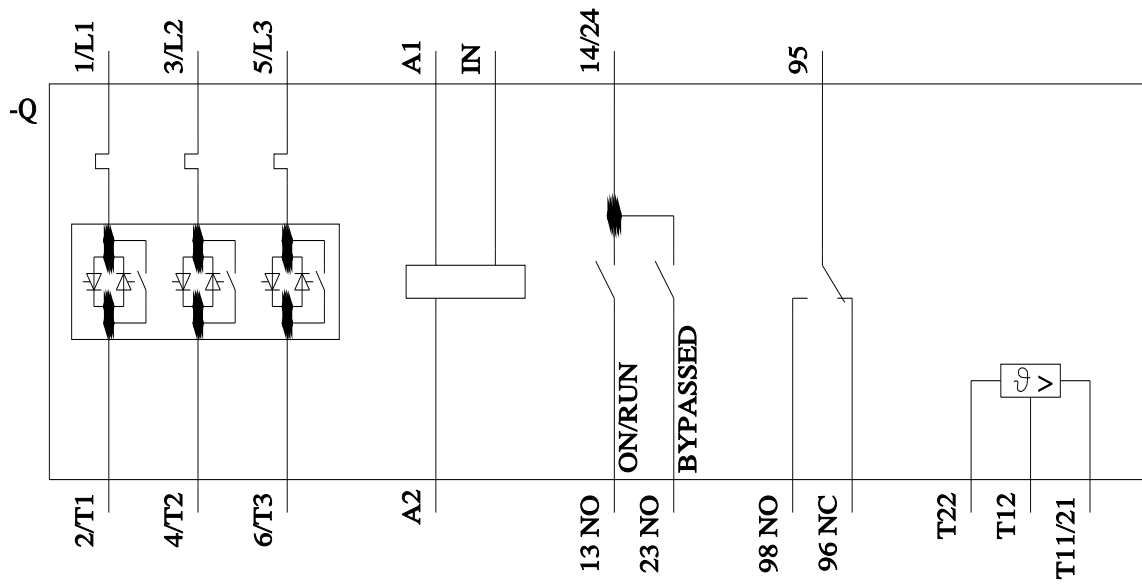
Characteristic: Installation altitude

[https://www.automation.siemens.com/bilddb/index.aspx?gridview=view2&objkey=G\\_NSB0\\_XX\\_01704&showdetail=true&view=Search](https://www.automation.siemens.com/bilddb/index.aspx?gridview=view2&objkey=G_NSB0_XX_01704&showdetail=true&view=Search)

Simulation Tool for Soft Starters (STS)

<https://support.industry.siemens.com/cs/ww/en/view/101494917>





last modified:

4/4/2026 

