



SIRIUS soft starter 200-600 V 250 A, 24 V AC/DC spring-type terminals Thermistor input

| | |
|--------------------------------------|-------------------------------------------------------------------------------------------------------------------------------------------------------------------------------------------------------------------------------------------------------------------------------------------------------------------------------------------------------------------------------------------------------------------------------------------------------------------------------------------------------------------------------------------------------------------------------------------------------------------------------------------------------------------------------------------------------------------------------------------------------------------------------------------------------------------------------------------------------------------------------------------------------------------------------------------------------------------------------------------------------------------------------------------------------------------------------------------------------------------------------------------------------------------------------------------------------------------------------------------------------------------------------------------------------------------------------------------------------------------------------------------------------------------------------------------------------------------------------------------------------------------------------------------------------------------------------------------------------------------------------------------------------------------------------------------------------------------------|
| product brand name | SIRIUS |
| product category | Hybrid switching devices |
| product designation | Soft starter |
| product type designation | 3RW52 |
| manufacturer's article number | <ul style="list-style-type: none"> • of standard HMI module usable 3RW5980-0HS00 • of high feature HMI module usable 3RW5980-0HF00 • of communication module PROFINET standard usable 3RW5980-0CS00 • of communication module PROFIBUS usable 3RW5980-0CP00 • of communication module Modbus TCP usable 3RW5980-0CT00 • of communication module Modbus RTU usable 3RW5980-0CR00 • of communication module Ethernet/IP 3RW5980-0CE00 • of circuit breaker usable at 400 V 3VA2440-7MN32-0AA0; Type of coordination 1, Iq = 65 kA, CLASS 10 • of circuit breaker usable at 500 V 3VA2440-7MN32-0AA0; Type of coordination 1, Iq = 65 kA, CLASS 10 • of circuit breaker usable at 400 V at inside-delta circuit 3VA2450-7MN32-0AA0; Type of coordination 1, Iq = 65 kA, CLASS 10 • of circuit breaker usable at 500 V at inside-delta circuit 3VA2450-7MN32-0AA0; Type of coordination 1, Iq = 65 kA, CLASS 10 • of the gG fuse usable up to 690 V 2x3NA3354-6; Type of coordination 1, Iq = 65 kA • of the gG fuse usable at inside-delta circuit up to 500 V 2x3NA3354-6; Type of coordination 1, Iq = 65 kA • of full range R fuse link for semiconductor protection usable up to 690 V 3NE1331-0; Type of coordination 2, Iq = 65 kA • of back-up R fuse link for semiconductor protection usable up to 690 V 3NE3336; Type of coordination 2, Iq = 65 kA |

| General technical data | |
|---------------------------------------------------------|----------------------|
| starting voltage [%] | 30 ... 100 % |
| stopping voltage [%] | 50 %; non-adjustable |
| start-up ramp time of soft starter | 0 ... 20 s |
| current limiting value [%] adjustable | 130 ... 700 % |
| certificate of suitability | |
| • CE marking | Yes |
| • UL approval | Yes |
| • CSA approval | Yes |
| product component | |
| • HMI-High Feature | No |
| • is supported HMI-Standard | Yes |
| • is supported HMI-High Feature | Yes |
| product feature integrated bypass contact system | Yes |
| number of controlled phases | 3 |

| | |
|--------------------------------------------------------------|---------------------------------------------------------------------------------------------------------------------------------------------------------------------------------------------------------------------------------------------------------------------------------------------------------------------------------------------------------------------------------------|
| buffering time in the event of power failure | |
| • for main current circuit | 100 ms |
| • for control circuit | 100 ms |
| insulation voltage rated value | 600 V |
| degree of pollution | 3, acc. to IEC 60947-4-2 |
| impulse voltage rated value | 6 kV |
| blocking voltage of the thyristor maximum | 1 600 V |
| service factor | 1 |
| surge voltage resistance rated value | 6 kV |
| maximum permissible voltage for protective separation | |
| • between main and auxiliary circuit | 600 V |
| shock resistance | 15 g / 11 ms, from 12 g / 11 ms with potential contact lifting |
| vibration resistance | 15 mm to 6 Hz; 2 g to 500 Hz |
| utilization category according to IEC 60947-4-2 | AC 53a |
| reference code according to IEC 81346-2 | Q |
| Substance Prohibitance (day/month/year) | 02/15/2018 |
| SVHC substance name | Lead CAS-No. 7439-92-1 Lead monoxide (lead oxide) CAS-No. 1317-36-8 2,2',6,6'-tetrabromo-4,4'-isopropylidenediphenol CAS-No. 79-94-7 2-methyl-1-(4-methylthiophenyl)-2-morpholinopropan-1-one CAS-No. 71868-10-5 Melamine CAS-No. 108-78-1 6,6'-di-tert-butyl-2,2'-methylenedi-p-cresol CAS-No. 119-47-1 Dibutylbis(pentane-2,4-dionato-O,O')tin CAS-No. 22673-19-4 |
| Net Weight | 9.9 kg |
| product function | |
| • ramp-up (soft starting) | Yes |
| • soft stopping | Yes |
| • Soft Torque | Yes |
| • adjustable current limitation | Yes |
| • pump stop | Yes |
| • intrinsic device protection | Yes |
| • motor overload protection | Yes; Full motor protection (thermistor motor protection and electronic motor overload protection) |
| • evaluation of thermistor motor protection | Yes; Type A PTC or Klaxon / Thermoclick |
| • inside-delta circuit | Yes |
| • auto-RESET | Yes |
| • manual RESET | Yes |
| • remote reset | Yes; By turning off the control supply voltage |
| • communication function | Yes |
| • operating measured value display | Yes; Only in conjunction with special accessories |
| • error logbook | Yes; Only in conjunction with special accessories |
| • via software parameterizable | No |
| • via software configurable | Yes |
| • PROFInergy | Yes; in connection with the PROFINET Standard communication module |
| • firmware update | Yes |
| • removable terminal for control circuit | Yes |
| • torque control | No |
| • analog output | No |
| Power Electronics | |
| operational current | |
| • at 40 °C rated value | 250 A |
| • at 50 °C rated value | 220 A |
| • at 60 °C rated value | 200 A |
| operational current at inside-delta circuit | |
| • at 40 °C rated value | 433 A |
| • at 50 °C rated value | 381 A |
| • at 60 °C rated value | 346 A |
| operating voltage | |
| • rated value | 200 ... 600 V |
| • at inside-delta circuit rated value | 200 ... 600 V |

| | |
|-------------------------------------------------------------------------------------|--------|
| relative negative tolerance of the operating voltage | -15 % |
| relative positive tolerance of the operating voltage | 10 % |
| relative negative tolerance of the operating voltage at inside-delta circuit | -15 % |
| relative positive tolerance of the operating voltage at inside-delta circuit | 10 % |
| operating power for 3-phase motors | |
| • at 230 V at 40 °C rated value | 75 kW |
| • at 230 V at inside-delta circuit at 40 °C rated value | 132 kW |
| • at 400 V at 40 °C rated value | 132 kW |
| • at 400 V at inside-delta circuit at 40 °C rated value | 250 kW |
| • at 500 V at 40 °C rated value | 160 kW |
| • at 500 V at inside-delta circuit at 40 °C rated value | 315 kW |
| Operating frequency 1 rated value | 50 Hz |
| Operating frequency 2 rated value | 60 Hz |
| relative negative tolerance of the operating frequency | -10 % |
| relative positive tolerance of the operating frequency | 10 % |
| adjustable motor current | |
| • at rotary coding switch on switch position 1 | 100 A |
| • at rotary coding switch on switch position 2 | 110 A |
| • at rotary coding switch on switch position 3 | 120 A |
| • at rotary coding switch on switch position 4 | 130 A |
| • at rotary coding switch on switch position 5 | 140 A |
| • at rotary coding switch on switch position 6 | 150 A |
| • at rotary coding switch on switch position 7 | 160 A |
| • at rotary coding switch on switch position 8 | 170 A |
| • at rotary coding switch on switch position 9 | 180 A |
| • at rotary coding switch on switch position 10 | 190 A |
| • at rotary coding switch on switch position 11 | 200 A |
| • at rotary coding switch on switch position 12 | 210 A |
| • at rotary coding switch on switch position 13 | 220 A |
| • at rotary coding switch on switch position 14 | 230 A |
| • at rotary coding switch on switch position 15 | 240 A |
| • at rotary coding switch on switch position 16 | 250 A |
| • minimum | 100 A |
| adjustable motor current | |
| • for inside-delta circuit at rotary coding switch on switch position 1 | 173 A |
| • for inside-delta circuit at rotary coding switch on switch position 2 | 191 A |
| • for inside-delta circuit at rotary coding switch on switch position 3 | 208 A |
| • for inside-delta circuit at rotary coding switch on switch position 4 | 225 A |
| • for inside-delta circuit at rotary coding switch on switch position 5 | 242 A |
| • for inside-delta circuit at rotary coding switch on switch position 6 | 260 A |
| • for inside-delta circuit at rotary coding switch on switch position 7 | 277 A |
| • for inside-delta circuit at rotary coding switch on switch position 8 | 294 A |
| • for inside-delta circuit at rotary coding switch on switch position 9 | 312 A |
| • for inside-delta circuit at rotary coding switch on switch position 10 | 329 A |
| • for inside-delta circuit at rotary coding switch on switch position 11 | 346 A |
| • for inside-delta circuit at rotary coding switch on switch position 12 | 364 A |
| • for inside-delta circuit at rotary coding switch on switch position 13 | 381 A |
| • for inside-delta circuit at rotary coding switch on switch position 14 | 398 A |

| | |
|----------------------------------------------------------------------------------------------------------------------------|------------------------------------------------------------------------------------------------------------------------------------------------------------------------------------------------------------------------------------|
| <ul style="list-style-type: none"> • for inside-delta circuit at rotary coding switch on switch position 15 | 416 A |
| <ul style="list-style-type: none"> • for inside-delta circuit at rotary coding switch on switch position 16 | 433 A |
| <ul style="list-style-type: none"> • at inside-delta circuit minimum | 173 A |
| minimum load [%] | 15 %; Relative to smallest settable I _e |
| power loss [W] for rated value of the current at AC | |
| <ul style="list-style-type: none"> • at 40 °C after startup | 87 W |
| <ul style="list-style-type: none"> • at 50 °C after startup | 78 W |
| <ul style="list-style-type: none"> • at 60 °C after startup | 72 W |
| power loss [W] at AC at current limitation 350 % | |
| <ul style="list-style-type: none"> • at 40 °C during startup | 3 818 W |
| <ul style="list-style-type: none"> • at 50 °C during startup | 3 188 W |
| <ul style="list-style-type: none"> • at 60 °C during startup | 2 799 W |
| Control circuit/ Control | |
| type of voltage of the control supply voltage | AC/DC |
| control supply voltage at AC | |
| <ul style="list-style-type: none"> • at 50 Hz rated value | 24 V |
| <ul style="list-style-type: none"> • at 60 Hz rated value | 24 V |
| relative negative tolerance of the control supply voltage at AC at 50 Hz | -20 % |
| relative positive tolerance of the control supply voltage at AC at 50 Hz | 20 % |
| relative negative tolerance of the control supply voltage at AC at 60 Hz | -20 % |
| relative positive tolerance of the control supply voltage at AC at 60 Hz | 20 % |
| control supply voltage frequency | 50 ... 60 Hz |
| relative negative tolerance of the control supply voltage frequency | -10 % |
| relative positive tolerance of the control supply voltage frequency | 10 % |
| control supply voltage at DC rated value | 24 V |
| relative negative tolerance of the control supply voltage at DC | -20 % |
| relative positive tolerance of the control supply voltage at DC | 20 % |
| control supply current in standby mode rated value | 160 mA |
| holding current in bypass operation rated value | 470 mA |
| inrush current by closing the bypass contacts maximum | 7.6 A |
| inrush current peak at application of control supply voltage maximum | 3.3 A |
| duration of inrush current peak at application of control supply voltage | 12.1 ms |
| design of the overvoltage protection | Varistor |
| design of short-circuit protection for control circuit | 4 A gG fuse (I _{cu} =1 kA), 6 A quick-acting fuse (I _{cu} =1 kA), C1 miniature circuit breaker (I _{cu} = 600 A), C6 miniature circuit breaker (I _{cu} = 300 A); Is not part of scope of supply |
| Inputs/ Outputs | |
| number of digital inputs | 1 |
| number of digital outputs | 3 |
| <ul style="list-style-type: none"> • not parameterizable | 2 |
| digital output version | 2 normally-open contacts (NO) / 1 changeover contact (CO) |
| number of analog outputs | 0 |
| switching capacity current of the relay outputs | |
| <ul style="list-style-type: none"> • at AC-15 at 250 V rated value | 3 A |
| <ul style="list-style-type: none"> • at DC-13 at 24 V rated value | 1 A |
| Installation/ mounting/ dimensions | |
| mounting position | with vertical mounting surface +/-90° rotatable, with vertical mounting surface +/- 22.5° tiltable to the front and back |
| fastening method | screw fixing |
| height | 393 mm |
| width | 210 mm |

| | |
|--------------------------------------------------------------------------------------------------------------------------------------------------------------------------------------------------------------------------------------------------------------------------------------------------|-----------------------------------------------------------------------------------------------------------------------------------------------------------------------------------------------------------------------------------------------------------------------------------|
| depth | 203 mm |
| required spacing with side-by-side mounting | |
| <ul style="list-style-type: none"> • forwards • backwards • upwards • downwards • at the side | 10 mm 0 mm 100 mm 75 mm 5 mm |
| weight without packaging | 9.9 kg |
| Connections/ Terminals | |
| type of electrical connection | |
| <ul style="list-style-type: none"> • for main current circuit • for control circuit | busbar connection spring-loaded terminals |
| width of connection bar maximum | 45 mm |
| wire length for thermistor connection | |
| <ul style="list-style-type: none"> • with conductor cross-section = 0.5 mm² maximum • with conductor cross-section = 1.5 mm² maximum • with conductor cross-section = 2.5 mm² maximum | 50 m 150 m 250 m |
| type of connectable conductor cross-sections | |
| <ul style="list-style-type: none"> • for DIN cable lug for main contacts stranded • for DIN cable lug for main contacts finely stranded | 2x (50 ... 240 mm ²) 2x (70 ... 240 mm ²) |
| type of connectable conductor cross-sections | |
| <ul style="list-style-type: none"> • for control circuit solid • for control circuit finely stranded with core end processing • for AWG cables for control circuit solid • for AWG cables for control circuit finely stranded with core end processing | 2x (0.25 ... 1.5 mm ²) 2x (0.25 ... 1.5 mm ²) 2x (24 ... 16) 2x (24 ... 16) |
| wire length | |
| <ul style="list-style-type: none"> • between soft starter and motor maximum • at the digital inputs at AC maximum • at the digital inputs at DC maximum | 800 m 100 m 1 000 m |
| tightening torque | |
| <ul style="list-style-type: none"> • for main contacts with screw-type terminals • for auxiliary and control contacts with screw-type terminals | 14 ... 24 N·m 0.8 ... 1.2 N·m |
| tightening torque [lbf·in] | |
| <ul style="list-style-type: none"> • for main contacts with screw-type terminals • for auxiliary and control contacts with screw-type terminals | 124 ... 210 lbf·in 7 ... 10.3 lbf·in |
| Ambient conditions | |
| installation altitude at height above sea level maximum | 5 000 m |
| ambient temperature | |
| <ul style="list-style-type: none"> • during operation • during storage and transport | -25 ... +60 °C; Please observe derating at temperatures of 40 °C or above -40 ... +80 °C |
| environmental category | |
| <ul style="list-style-type: none"> • during operation according to IEC 60721 • during storage according to IEC 60721 • during transport according to IEC 60721 | 3K6 (no ice formation, only occasional condensation), 3C3 (no salt mist), 3S2 (sand must not get into the devices), 3M6 1K6 (only occasional condensation), 1C2 (no salt mist), 1S2 (sand must not get inside the devices), 1M4 2K2, 2C1, 2S1, 2M2 (max. fall height 0.3 m) |
| Electromagnetic compatibility | |
| EMC emitted interference | acc. to IEC 60947-4-2: Class A |
| Communication/ Protocol | |
| communication module is supported | |
| <ul style="list-style-type: none"> • PROFINET standard • EtherNet/IP • Modbus RTU • Modbus TCP • PROFIBUS | Yes Yes Yes Yes Yes |
| UL/CSA ratings | |
| manufacturer's article number | |

| | |
|--------------------------------------------------------------------------------------------------------------------------------------------------------------------------------------------------------------------------------------------------------------------------------------------------------------------------------------------------------------------------------------------------------------------------------------------------------------------------------------------------------------------------------------------------------------------------------------------------------------------------------------------------------------------------------------------------------------------------------------------------------------------------------------------------------------------------------------------------------------|------------------------------------------------------------------------------------------------------------------------------------------------------------------------------------------------------------------------------------------------------------------------------------------------------------------------------------------------------------------------------------------------------------------------------------------------------------------------------------------------------------------------------------------------------------------------------------------------|
| <ul style="list-style-type: none"> ● of circuit breaker usable for Standard Faults <ul style="list-style-type: none"> — at 460/480 V according to UL — 60/480 V according to UL — at 460/480 V at inside-delta circuit according to UL — 60/480 V at inside-delta circuit according to UL — at 575/600 V according to UL — at 575/600 V at inside-delta circuit according to UL ● of the fuse <ul style="list-style-type: none"> — usable for Standard Faults up to 575/600 V according to UL — usable for High Faults up to 575/600 V according to UL — usable for Standard Faults at inside-delta circuit up to 575/600 V according to UL — usable for High Faults at inside-delta circuit up to 575/600 V according to UL | <p>Siemens type: 3VA53, max. 400 A or 3VA54, max. 600 A; Iq = 18 kA</p> <p>Siemens type: 3VA53, max. 400 A or 3VA54, max. 600 A; Iq max = 65 kA</p> <p>Siemens type: 3VA54, max. 600 A; Iq = 18 kA</p> <p>Siemens type: 3VA54, max. 600 A; Iq max = 65 kA</p> <p>Siemens type: 3VA53, max. 400 A or 3VA54, max. 600 A; Iq = 18 kA</p> <p>Siemens type: 3VA54, max. 600 A; Iq = 18 kA</p> <p>Type: Class J / L, max. 800 A; Iq = 18 kA</p> <p>Type: Class J / L, max. 800 A; Iq = 100 kA</p> <p>Type: Class J / L, max. 800 A; Iq = 18 kA</p> <p>Type: Class J / L, max. 800 A; Iq = 100 kA</p> |
|--------------------------------------------------------------------------------------------------------------------------------------------------------------------------------------------------------------------------------------------------------------------------------------------------------------------------------------------------------------------------------------------------------------------------------------------------------------------------------------------------------------------------------------------------------------------------------------------------------------------------------------------------------------------------------------------------------------------------------------------------------------------------------------------------------------------------------------------------------------|------------------------------------------------------------------------------------------------------------------------------------------------------------------------------------------------------------------------------------------------------------------------------------------------------------------------------------------------------------------------------------------------------------------------------------------------------------------------------------------------------------------------------------------------------------------------------------------------|

| | |
|-----------------------------------------------------------------------------------------------------------------------------------------------------------------------------------------------------------------------------------------------------------------------------------------------------------------------------------------------------------------------------------------------------------------------------------------------------------------------------------------------------------------------------------------------------------------|---------------------------------------------------------------------------------------------------------------|
| operating power [hp] for 3-phase motors <ul style="list-style-type: none"> ● at 200/208 V at 50 °C rated value ● at 220/230 V at 50 °C rated value ● at 460/480 V at 50 °C rated value ● at 575/600 V at 50 °C rated value ● at 200/208 V at inside-delta circuit at 50 °C rated value ● at 220/230 V at inside-delta circuit at 50 °C rated value ● at 460/480 V at inside-delta circuit at 50 °C rated value ● at 575/600 V at inside-delta circuit at 50 °C rated value | <p>60 hp</p> <p>75 hp</p> <p>150 hp</p> <p>200 hp</p> <p>125 hp</p> <p>150 hp</p> <p>300 hp</p> <p>350 hp</p> |
|-----------------------------------------------------------------------------------------------------------------------------------------------------------------------------------------------------------------------------------------------------------------------------------------------------------------------------------------------------------------------------------------------------------------------------------------------------------------------------------------------------------------------------------------------------------------|---------------------------------------------------------------------------------------------------------------|

| | |
|-------------------------------------------------------------|-----------|
| contact rating of auxiliary contacts according to UL | R300-B300 |
|-------------------------------------------------------------|-----------|

Electrical Safety

| | |
|----------------------------------------------------------------|-----------------------|
| protection class IP on the front according to IEC 60529 | IP00; IP20 with cover |
|----------------------------------------------------------------|-----------------------|

| | |
|-------------------------------------------------------------|-------------------------------------------------------------|
| touch protection on the front according to IEC 60529 | finger-safe, for vertical contact from the front with cover |
|-------------------------------------------------------------|-------------------------------------------------------------|

Approvals Certificates

| | |
|----------------------------------------------------------------------------------------------------------------------------------------------------------------------------------------------------------------------------------------------------------------------------------------------------------------------------------------------------------------|---------------------------------------------------------------------------|
| Environmental Product Declaration | |
| <ul style="list-style-type: none"> ● global warming potential [CO2 eq] / during manufacturing ● global warming potential [CO2 eq] / during sales ● global warming potential [CO2 eq] / during operation ● global warming potential [CO2 eq] / after end of life ● global warming potential [CO2 eq] / total | <p>84.2 kg</p> <p>2.81 kg</p> <p>721 kg</p> <p>-21.8 kg</p> <p>786 kg</p> |

Environment General Product Approval

[Environmental Conformations](#)







General Product Approval EMV Test Certificates Maritime application






[Type Test Certificates/Test Report](#)



Maritime application other






[Confirmation](#) [Confirmation](#)

other



Further information

Information on the packaging

<https://support.industry.siemens.com/cs/ww/en/view/109813875>

Information for data generation and storage

<https://support.industry.siemens.com/cs/ww/en/view/109995012>

Information- and Downloadcenter (Catalogs, Brochures,...)

<https://www.siemens.com/ic10>

Industry Mall (Online ordering system)

<https://mall.industry.siemens.com/mall/en/en/Catalog/product?mlfb=3RW5244-2TC05>

Service&Support (Manuals, Certificates, Characteristics, FAQs,...)

<https://support.industry.siemens.com/cs/ww/en/ps/3RW5244-2TC05>

Image database (product images, 2D dimension drawings, 3D models, device circuit diagrams, EPLAN macros, ...)

https://www.automation.siemens.com/bilddb/cax_de.aspx?mlfb=3RW5244-2TC05&lang=en

Cax online generator

<https://support.automation.siemens.com/WW/CAXorder/default.aspx?lang=en&mlfb=3RW5244-2TC05>

Characteristic curves

[https://curves.simaris.siemens.com/curves/<mmp_prod_noCOMP="HAUPT"></mmp_prod_no>](https://curves.simaris.siemens.com/curves/<mmp_prod_noCOMP=)

Characteristic: Tripping characteristics, I²t, Let-through current

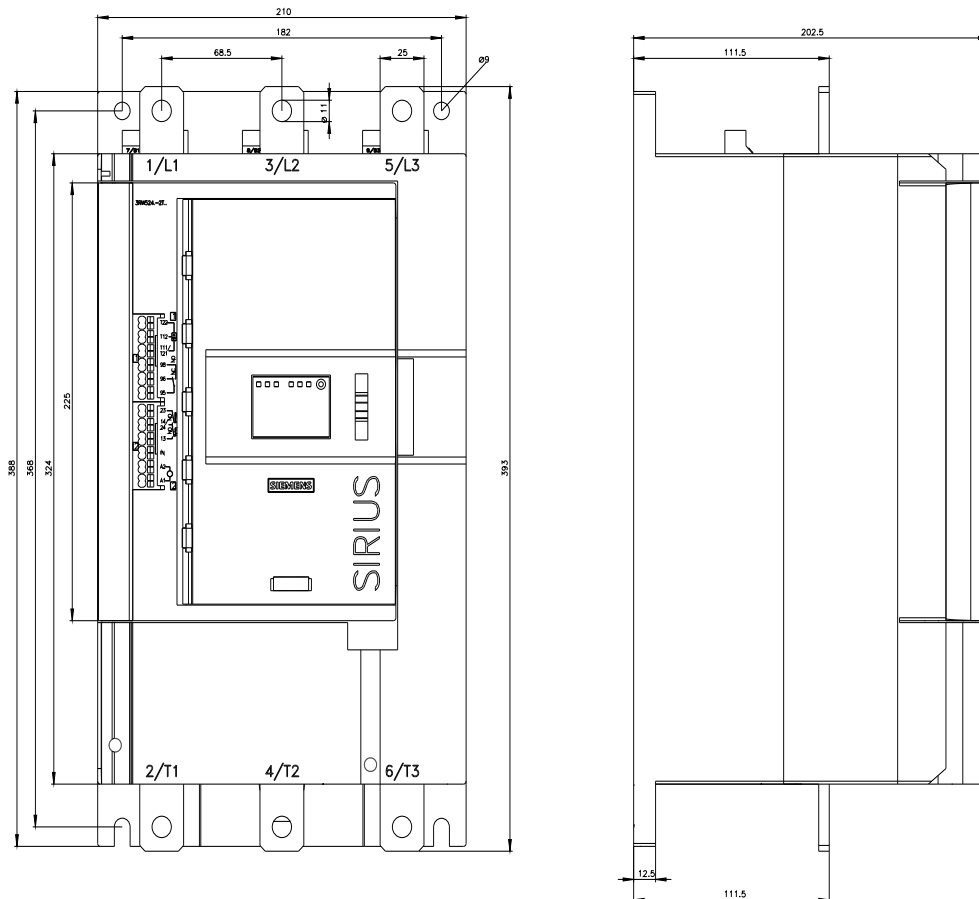
<https://support.industry.siemens.com/cs/ww/en/ps/3RW5244-2TC05/char>

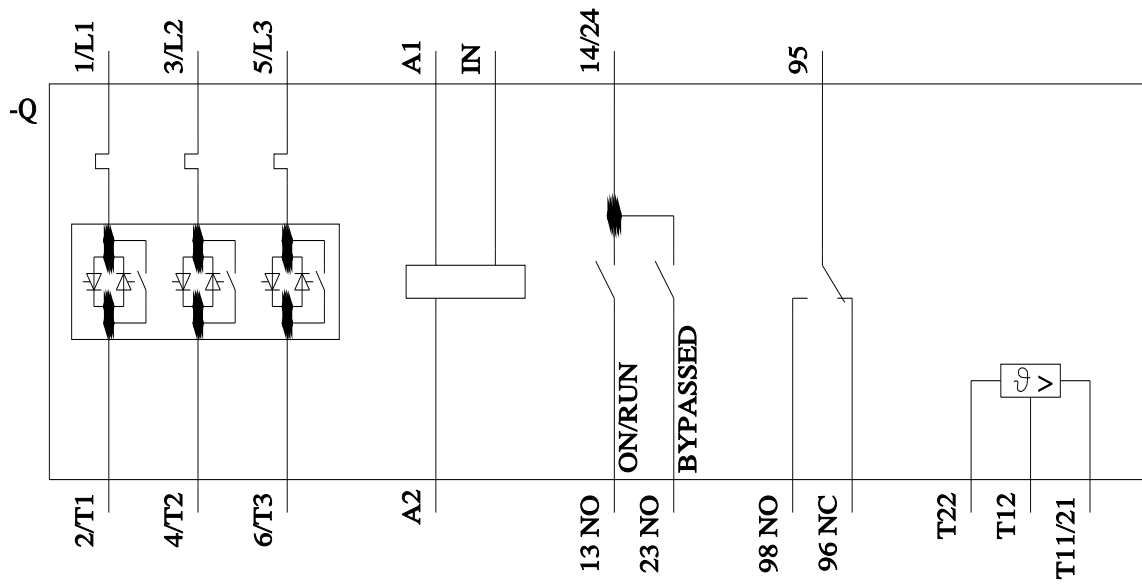
Characteristic: Installation altitude

https://www.automation.siemens.com/bilddb/index.aspx?gridview=view2&objkey=G_NSB0_XX_01704&showdetail=true&view=Search

Simulation Tool for Soft Starters (STS)

<https://support.industry.siemens.com/cs/ww/en/view/101494917>





last modified:

4/4/2026 

