



Circuit breaker size S3 for motor protection, Class 20 A-release 28...40 A N-release 520 A screw terminal Increased switching capacity 100 kA

product brand name	SIRIUS
product designation	Circuit breaker
design of the product	For motor protection
product type designation	3RV2
General technical data	
Product equipment of circuit breaker for motor protection complete unit with protection device	Yes
size of the circuit-breaker	S3
size of contactor can be combined company-specific	S3
product function disconnecter functionality	Yes
product extension auxiliary switch	Yes
power loss [W] for rated value of the current	
• at AC in hot operating state	23 W
• at AC in hot operating state per pole	7.7 W
type of calculation of power loss current-dependent	quadratic
insulation voltage with degree of pollution 3 at AC rated value	1 000 V
surge voltage resistance rated value	8 kV
maximum permissible voltage for protective separation	
• in networks with ungrounded star point between main and auxiliary circuit	400 V
• in networks with grounded star point between main and auxiliary circuit	400 V
protection class IP	
• on the front according to IEC 60529	IP20
• on the front	IP20
• of the terminal	IP00
shock resistance according to IEC 60068-2-27	25 g / 11 ms Sinus
mechanical service life (operating cycles)	
• of the main contacts typical	25 000
• of auxiliary contacts typical	25 000
electrical endurance (operating cycles) typical	25 000
reference code according to IEC 81346-2	Q
continuous current rated value	40 A
Substance Prohibitance (day/month/year)	03/01/2017
SVHC substance name	Lead CAS-No. 7439-92-1
Net Weight	2.2 kg
Ambient conditions	

installation altitude at height above sea level maximum	2 000 m
ambient temperature	
• during operation	-20 ... +60 °C
• during storage	-50 ... +80 °C
• during transport	-50 ... +80 °C
temperature compensation	-20 ... +60 °C
relative humidity during operation	10 ... 95 %
Main circuit	
number of poles for main current circuit	3
adjustable current response value current of the current-dependent overload release	28 ... 40 A
type of voltage for main current circuit	AC
operating voltage	
• rated value	690 V
• rated value	20 ... 690 V
• at AC-3 rated value maximum	690 V
• at AC-3e rated value maximum	690 V
operating frequency rated value	50 ... 60 Hz
operational current rated value	40 A
operational current	
• at AC-3 at 400 V rated value	40 A
• at AC-3e at 400 V rated value	40 A
operating power	
• at AC-3	
— at 230 V rated value	11 kW
— at 400 V rated value	18.5 kW
— at 500 V rated value	22 kW
— at 690 V rated value	37 kW
• at AC-3e	
— at 230 V rated value	11 kW
— at 400 V rated value	18.5 kW
— at 500 V rated value	22 kW
— at 690 V rated value	37 kW
operating frequency	
• at AC-3 maximum	15 1/h
• at AC-3e maximum	15 1/h
Auxiliary circuit	
type of voltage for auxiliary and control circuit	AC/DC
number of NC contacts for auxiliary contacts	0
number of NO contacts for auxiliary contacts	0
number of CO contacts for auxiliary contacts	0
Protective and monitoring functions	
product function	
• ground fault detection	No
• phase failure detection	Yes
trip class	CLASS 20
design of the overload release	thermal
protection function thermal overload protection (ANSI 49)	Yes
maximum short-circuit current breaking capacity (I_{cu})	
• at AC at 240 V rated value	100 kA
• at AC at 400 V rated value	100 kA
• at AC at 500 V rated value	18 kA
• at AC at 690 V rated value	12 kA
operating short-circuit current breaking capacity (I_{cs}) at AC	
• at 240 V rated value	100 kA
• at 400 V rated value	50 kA
• at 500 V rated value	9 kA
• at 690 V rated value	6 kA
response value current of instantaneous short-circuit trip unit	520 A

UL/CSA ratings

full-load current (FLA) for 3-phase AC motor	
• at 480 V rated value	40 A
• at 600 V rated value	40 A
yielded mechanical performance [hp]	
• for single-phase AC motor	
— at 110/120 V rated value	3 hp
— at 230 V rated value	7.5 hp
• for 3-phase AC motor	
— at 200/208 V rated value	15 hp
— at 220/230 V rated value	15 hp
— at 460/480 V rated value	30 hp
— at 575/600 V rated value	40 hp

Short-circuit protection

product function short circuit protection	Yes
design of the short-circuit trip	magnetic

Installation/ mounting/ dimensions

mounting position	any
fastening method	screw and snap-on mounting onto 35 mm DIN rail according to DIN EN 60715
Mounting method of circuit breaker for Transformer protection, Generator protection and system protection optional standard bar mounting	Yes
height	165 mm
width	70 mm
depth	176 mm
required spacing	
• with side-by-side mounting	
— forwards	0 mm
— backwards	0 mm
— upwards	150 mm
— downwards	150 mm
— at the side	0 mm
• for grounded parts	
— forwards	0 mm
— backwards	0 mm
— upwards	150 mm
— at the side	30 mm
— downwards	150 mm
• for live parts	
— forwards	0 mm
— backwards	0 mm
— upwards	150 mm
— downwards	150 mm
— at the side	30 mm
• for grounded parts at 400 V	
— downwards	70 mm
— upwards	70 mm
— at the side	10 mm
• for live parts at 400 V	
— downwards	70 mm
— upwards	70 mm
— at the side	10 mm
• for grounded parts at 500 V	
— downwards	110 mm
— upwards	110 mm
— at the side	10 mm
• for live parts at 500 V	
— downwards	110 mm
— upwards	110 mm

<ul style="list-style-type: none"> — at the side • for grounded parts at 690 V <ul style="list-style-type: none"> — downwards — upwards — at the side • for live parts at 690 V <ul style="list-style-type: none"> — downwards — upwards — at the side 	10 mm 150 mm 150 mm 30 mm 150 mm 150 mm 30 mm
Connections/ Terminals	
product component removable terminal for auxiliary and control circuit	No
type of electrical connection <ul style="list-style-type: none"> • for main current circuit 	screw-type terminals
arrangement of electrical connectors for main current circuit	Top and bottom
type of connectable conductor cross-sections <ul style="list-style-type: none"> • for main contacts <ul style="list-style-type: none"> — solid — solid or stranded — finely stranded with core end processing — finely stranded without core end processing 	2x (2.5 ... 16 mm ²) 2x (2.5 ... 50 mm ²), 1x (10 ... 70 mm ²) 2x (2.5 ... 35 mm ²), 1x (2.5 ... 50 mm ²) 2x (10 ... 35 mm ²), 1x (10 ... 50 mm ²)
connectable conductor cross-section for main contacts <ul style="list-style-type: none"> • finely stranded with core end processing • finely stranded without core end processing 	2.5 ... 50 mm ² 10 ... 50 mm ²
AWG number as coded connectable conductor cross section for main contacts	10 ... 2
tightening torque <ul style="list-style-type: none"> • for main contacts for ring cable lug 	4.5 ... 6 N·m
outer diameter of the usable ring cable lug maximum	19 mm
tightening torque <ul style="list-style-type: none"> • for main contacts with screw-type terminals 	4.5 ... 6 N·m
Safety related data	
product function suitable for safety function	Yes
suitability for use <ul style="list-style-type: none"> • safety-related switching on • safety-related switching OFF 	No Yes
service life maximum	10 a
test wear-related service life necessary	Yes
proportion of dangerous failures <ul style="list-style-type: none"> • with low demand rate according to SN 31920 • with high demand rate according to SN 31920 	40 % 50 %
B10 value with high demand rate according to SN 31920	5 000
failure rate [FIT] with low demand rate according to SN 31920	50 FIT
ISO 13849	
device type according to ISO 13849-1	3
overdimensioning according to ISO 13849-2 necessary	Yes
IEC 61508	
safety device type according to IEC 61508-2	Type A
T1 value <ul style="list-style-type: none"> • for proof test interval or service life according to IEC 61508 	10 a
Electrical Safety	
protection class IP on the front according to IEC 60529	IP20
touch protection on the front according to IEC 60529	finger-safe, for vertical contact from the front
Display	
display version for switching status	Handle
Approvals Certificates	
Environmental Product Declaration	

- global warming potential [CO2 eq] / during manufacturing 18.5 kg
- global warming potential [CO2 eq] / during sales 1.24 kg
- global warming potential [CO2 eq] / during operation 265 kg
- global warming potential [CO2 eq] / after end of life -1.5 kg
- global warming potential [CO2 eq] / total 283.24 kg

Environment	General Product Approval
-------------	--------------------------

[Environmental Confirmations](#)



General Product Approval	Test Certificates
--------------------------	-------------------



Test Certificates	Maritime application
-------------------	----------------------

[Type Test Certificates/Test Report](#)



Maritime application	other	Railway
----------------------	-------	---------

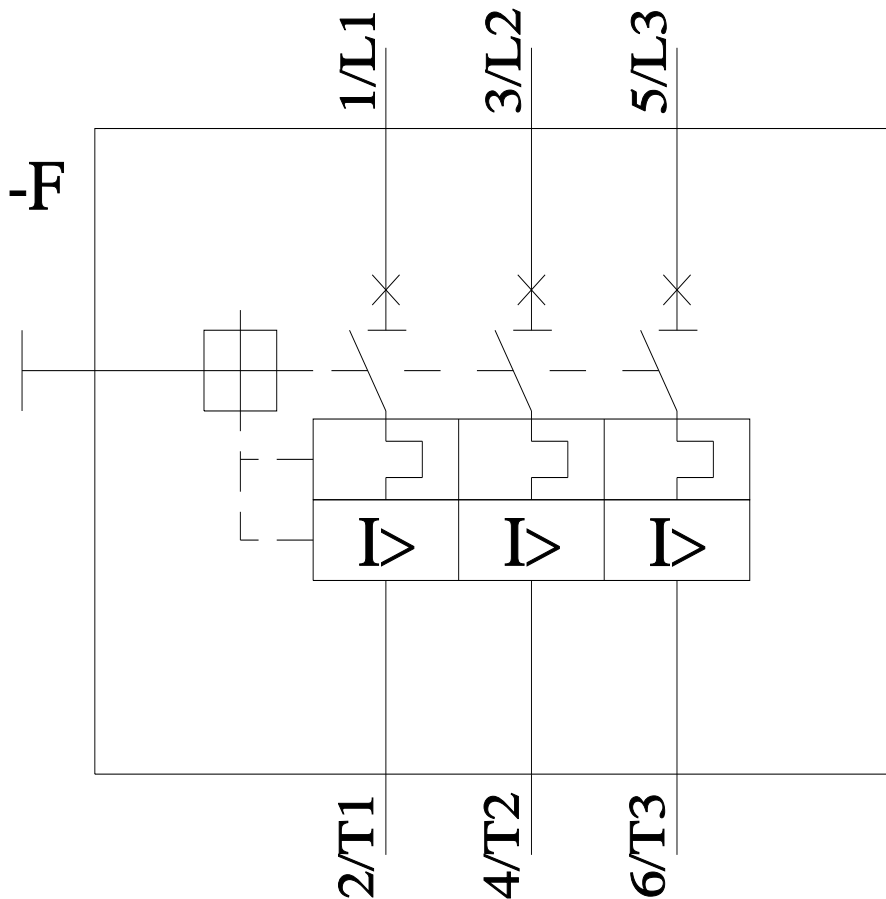
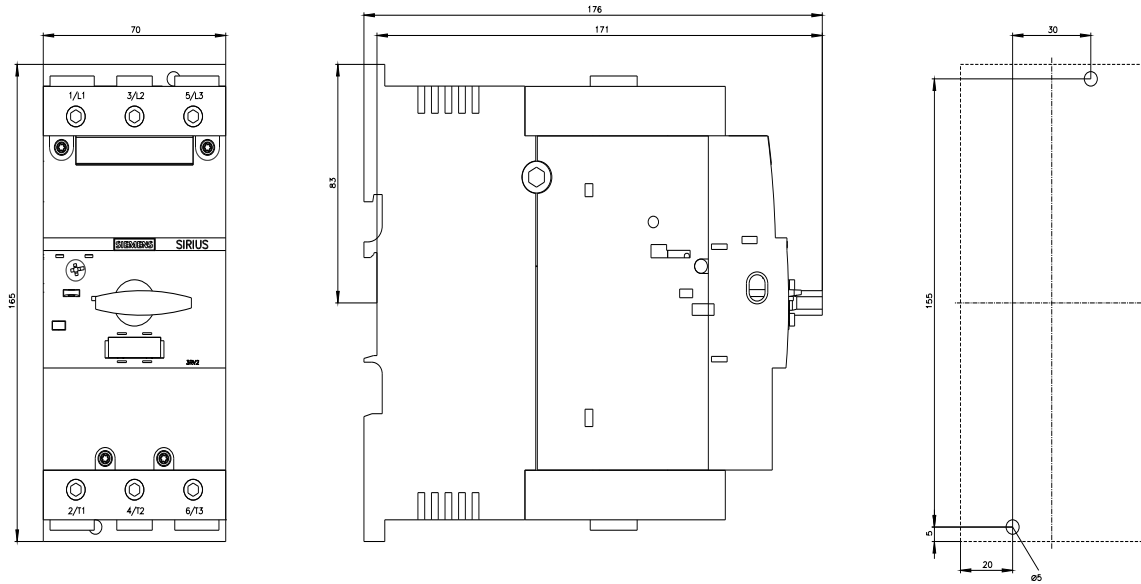


Railway

[Special Test Certificate](#)

Further information

- Information on the packaging
<https://support.industry.siemens.com/cs/ww/en/view/109813875>
- Information for data generation and storage
<https://support.industry.siemens.com/cs/ww/en/view/109995012>
- Information- and Downloadcenter (Catalogs, Brochures,...)
<https://www.siemens.com/ic10>
- Industry Mall (Online ordering system)
<https://mall.industry.siemens.com/mall/en/en/Catalog/product?mlfb=3RV2042-4FB10>
- Service&Support (Manuals, Certificates, Characteristics, FAQs,...)
<https://support.industry.siemens.com/cs/ww/en/ps/3RV2042-4FB10>
- Image database (product images, 2D dimension drawings, 3D models, device circuit diagrams, EPLAN macros, ...)
https://www.automation.siemens.com/bilddb/cax_de.aspx?mlfb=3RV2042-4FB10&lang=en
- Cax online generator
<https://support.automation.siemens.com/WW/CAXorder/default.aspx?lang=en&mlfb=3RV2042-4FB10>
- Characteristic curves
[https://curves.simaris.siemens.com/curves/<mmp_prod_noCOMP="HAUPT"></mmp_prod_no>](https://curves.simaris.siemens.com/curves/<mmp_prod_noCOMP=)



last modified:

5/5/2026

