

shaft jack for 8UD handle 3KD1, 3KD2, 3KF1, 3KC1, 3KC2





Model	
product brand name	SETRON
product designation	shaft jack for 8UD handle
suitability for use	for 3KD size 1 and 2, 3KF1, 3KC0 size 1 and 2
Product details	
product description	shaft jack
Accessories	
accessories	Guide for handle 8UD
Mechanical Design	
Net Weight	15 g
Approvals Certificates	
Environment	General Product Approval

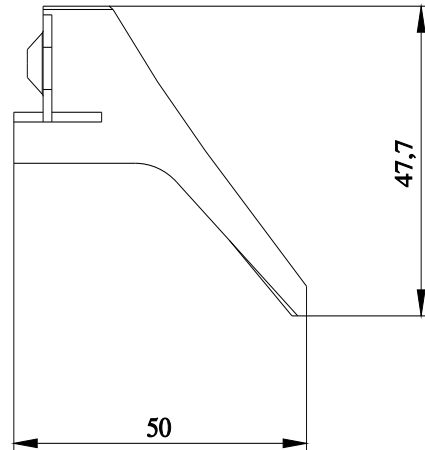
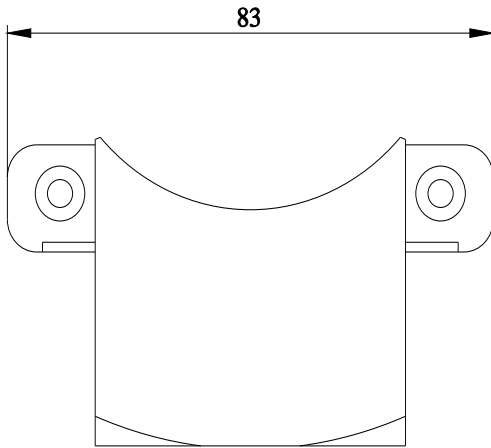
[Environmental Con-
firmations](#)



[Confirmation](#)

Test Certificates	Maritime application	other
Type Test Certificates/Test Report		Confirmation
		
		Miscellaneous

Further information
<p>Information on the packaging https://support.industry.siemens.com/cs/ww/en/view/109813875</p> <p>Information for data generation and storage https://support.industry.siemens.com/cs/ww/en/view/109995012</p> <p>Information- and Downloadcenter (Catalogs, Brochures,...) https://www.siemens.com/lowvoltage/catalogs</p> <p>Industry Mall (Online ordering system) https://mall.industry.siemens.com/mall/en/en/Catalog/product?mlfb=8UD1900-0FA00</p> <p>Service&Support (Manuals, Certificates, Characteristics, FAQs,...) https://support.industry.siemens.com/cs/ww/en/ps/8UD1900-0FA00</p> <p>Image database (product images, 2D dimension drawings, 3D models, device circuit diagrams, ...) https://www.automation.siemens.com/bilddb/cax_en.aspx?mlfb=8UD1900-0FA00</p> <p>CAx-Online-Generator https://www.siemens.com/cax</p> <p>Tender specifications https://www.siemens.com/specifications</p> <p>Characteristic curves</p>



last modified:

4/4/2025 