




handle with masking plate standard size 100x 100, for shaft 8x 8, I-0-II, handle size 100mm accessory for 3KC0 size 3



Model		
product brand name	SETRON	
product designation	handle with masking plate	
design of the product	standard	
design of handle	Gray	
design of the door lock system	Door interlocking	
size of cross-section of the shaft of door-coupling rotary operating mechanism	8x8 mm	
size format of the masking frame of door-coupling rotary operating mechanism	100x 100 mm	
length of handle	100 mm	
protection class IP	IP65	
suitability for use	for 3KC0 size 3	
Product details		
product description	without lighting	
product feature interlock	Yes	
product component		
• extension shaft	No	
• handle for emergency-OFF function	No	
product feature lockable	Yes	
Accessories		
accessories	Handle with masking frame	
display version for switch position indicator	I-0-II	
Mechanical Design		
height	198 mm	
width	195 mm	
depth	105 mm	
Net Weight	668 g	
Approvals Certificates		
Environment	General Product Approval	Test Certificates
Environmental Confirmations	 Confirmation	  Type Test Certificates/Test Report
Maritime application	other	

Further information

Information on the packaging

<https://support.industry.siemens.com/cs/ww/en/view/109813875>

Information for data generation and storage

<https://support.industry.siemens.com/cs/ww/en/view/109995012>

Information- and Downloadcenter (Catalogs, Brochures,...)

<https://www.siemens.com/lowvoltage/catalogs>

Industry Mall (Online ordering system)

<https://mall.industry.siemens.com/mall/en/en/Catalog/product?mlfb=8UD1841-2AE01>

Service&Support (Manuals, Certificates, Characteristics, FAQs,...)

<https://support.industry.siemens.com/cs/ww/en/ps/8UD1841-2AE01>

Image database (product images, 2D dimension drawings, 3D models, device circuit diagrams, ...)

https://www.automation.siemens.com/bilddb/cax_en.aspx?mlfb=8UD1841-2AE01

CAX-Online-Generator

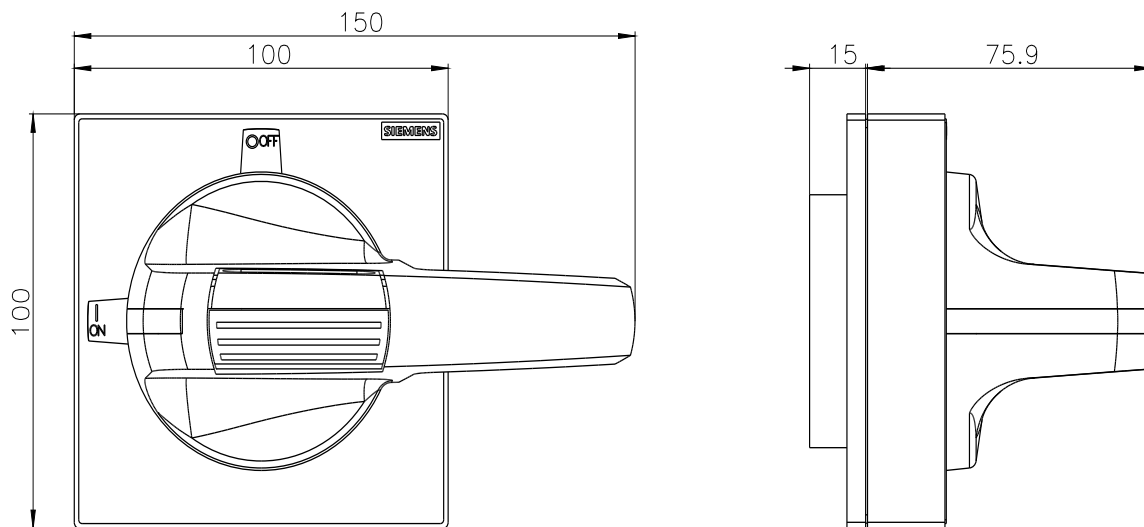
<https://www.siemens.com/cax>

Tender specifications

<https://www.siemens.com/specifications>

Characteristic curves

[https://curves.simaris.siemens.com/curves/<mmp_prod_noCOMP="HAUPT"></mmp_prod_no>](https://curves.simaris.siemens.com/curves/<mmp_prod_noCOMP=)



last modified:

4/4/2025

