







Handle with masking frame standard Size 75x 75, for shaft 8x 8, I-0-II, Handle size 55 mm Accessory for 3KC0 size 1 and 2

Model					
product brand name	SETRON				
product designation	handle with masking plate				
design of the product	standard				
design of handle	Gray				
design of the door lock system	Door interlocking				
size of cross-section of the shaft of door-coupling rotary operating mechanism	8x8 mm				
size format of the masking frame of door-coupling rotary operating mechanism	75x 75 mm				
length of handle	55 mm				
protection class IP	IP65				
suitability for use	for 3KC0 size 1 and 2				
Product details					
product description	without lighting				
product feature interlock	Yes				
product component					
• extension shaft	No				
• handle for emergency-OFF function	No				
product feature lockable	Yes				
Accessories					
accessories	Handle with masking frame				
display version for switch position indicator	I-0-II				
Mechanical Design					
height	84 mm				
width	84 mm				
depth	80 mm				
Net Weight	171 g				
Approvals Certificates					
Environment	General Product Approval	Maritime application			
Environmental Confirmations		Confirmation			
other					



Further information

Information on the packaging

<https://support.industry.siemens.com/cs/ww/en/view/109813875>

Information for data generation and storage

<https://support.industry.siemens.com/cs/ww/en/view/109995012>

Information- and Downloadcenter (Catalogs, Brochures,...)

<https://www.siemens.com/lowvoltage/catalogs>

Industry Mall (Online ordering system)

<https://mall.industry.siemens.com/mall/en/en/Catalog/product?mlfb=8UD1731-2AE01>

Service&Support (Manuals, Certificates, Characteristics, FAQs,...)

<https://support.industry.siemens.com/cs/ww/en/ps/8UD1731-2AE01>

Image database (product images, 2D dimension drawings, 3D models, device circuit diagrams, ...)

https://www.automation.siemens.com/bilddb/cax_en.aspx?mlfb=8UD1731-2AE01

CAx-Online-Generator

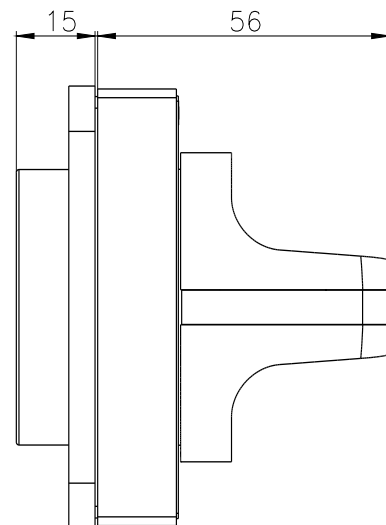
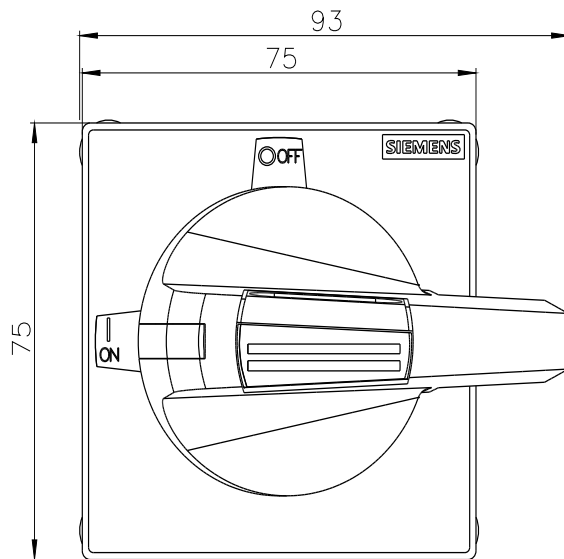
<https://www.siemens.com/cax>

Tender specifications

<https://www.siemens.com/specifications>

Characteristic curves

[https://curves.simaris.siemens.com/curves/<mmp_prod_noCOMP="HAUPT"></mmp_prod_no>](https://curves.simaris.siemens.com/curves/<mmp_prod_noCOMP=)



last modified:

4/4/2025

