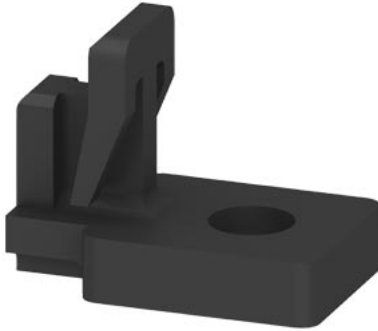






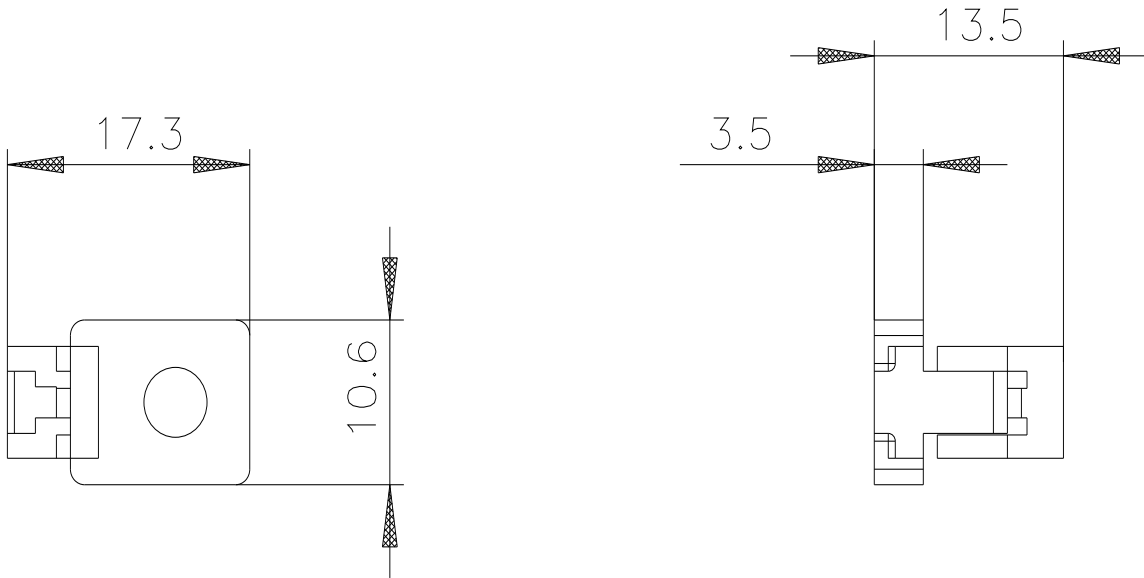
accessories for 3KD size 1/2, 3KC0 size 1/2, mounting bracket, 4 units



Model							
product brand name	SETRON						
product designation	Accessories for switch disconnectors						
design of the product	Mounting plate						
Suitability							
suitability for use	For 3KD sizes 1 and 2						
Product details							
product description	Contains 4 units						
Mechanical Design							
height	10.6 mm						
width	17.3 mm						
depth	13.5 mm						
Net Weight	0.091 kg						
Approvals Certificates							
Environment	General Product Approval						
<a href="#">Environmental Con- firmations</a>	<a href="#">Environmental Con- firmations</a>	<a href="#">Miscellaneous</a>		<a href="#">Confirmation</a>	 EG-Konf.		
General Product Ap- proval	Test Certificates	other		<a href="#">Type Test Certific- ates/Test Report</a>	<a href="#">Confirmation</a>		<a href="#">Miscellaneous</a>

### Further information

- Information on the packaging  
<https://support.industry.siemens.com/cs/ww/en/view/109813875>
- Information for data generation and storage  
<https://support.industry.siemens.com/cs/ww/en/view/109995012>
- Information- and Downloadcenter (Catalogs, Brochures,...)  
<https://www.siemens.com/lowvoltage/catalogs>
- Industry Mall (Online ordering system)  
<https://mall.industry.siemens.com/mall/en/en/Catalog/product?mlfb=3KD9120-1>
- Service&Support (Manuals, Certificates, Characteristics, FAQs,...)  
<https://support.industry.siemens.com/cs/ww/en/ps/3KD9120-1>
- Image database (product images, 2D dimension drawings, 3D models, device circuit diagrams, ...)  
[https://www.automation.siemens.com/bilddb/cax\\_en.aspx?mlfb=3KD9120-1](https://www.automation.siemens.com/bilddb/cax_en.aspx?mlfb=3KD9120-1)



---

last modified:

4/3/2025 

