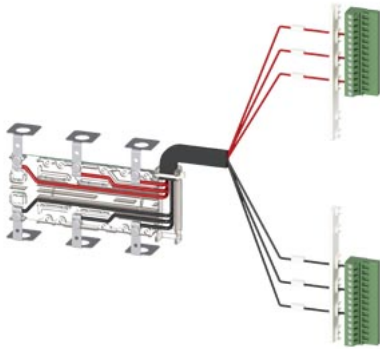


Accessory for 3KC8 Auxiliary conductor terminals, kit for connection at the top 3-pole for 250 A contains 1 unit



Model	
product brand name	SETRON
product designation	Accessories for transfer switching equipment
design of the product	control wire taps, assembly kit
suitability for use	for 3KC4, 3KC8, 250 A, 3-pole
product description	Auxiliary conductor terminals, kit, 3-pole, for topside connection

Connections	
type of electrical connection for main current circuit	flat connector

Mechanical Design	
depth	57 mm
Net Weight	256 g

Approvals Certificates	
Environment	General Product Approval

[Environmental Confirmations](#)

[Miscellaneous](#)



[Confirmation](#)



Test Certificates	
other	

[Type Test Certificates/Test Report](#)

[Confirmation](#)



Further information	
---------------------	--

**Information on the packaging**

<https://support.industry.siemens.com/cs/ww/en/view/109813875>

**Information for data generation and storage**

<https://support.industry.siemens.com/cs/ww/en/view/109995012>

**Information- and Downloadcenter (Catalogs, Brochures,...)**

<https://www.siemens.com/lowvoltage/catalogs>

**Industry Mall (Online ordering system)**

<https://mall.industry.siemens.com/mall/en/en/Catalog/product?mlfb=3KC9832-1>

**Service&Support (Manuals, Certificates, Characteristics, FAQs,...)**

<https://support.industry.siemens.com/cs/ww/en/ps/3KC9832-1>

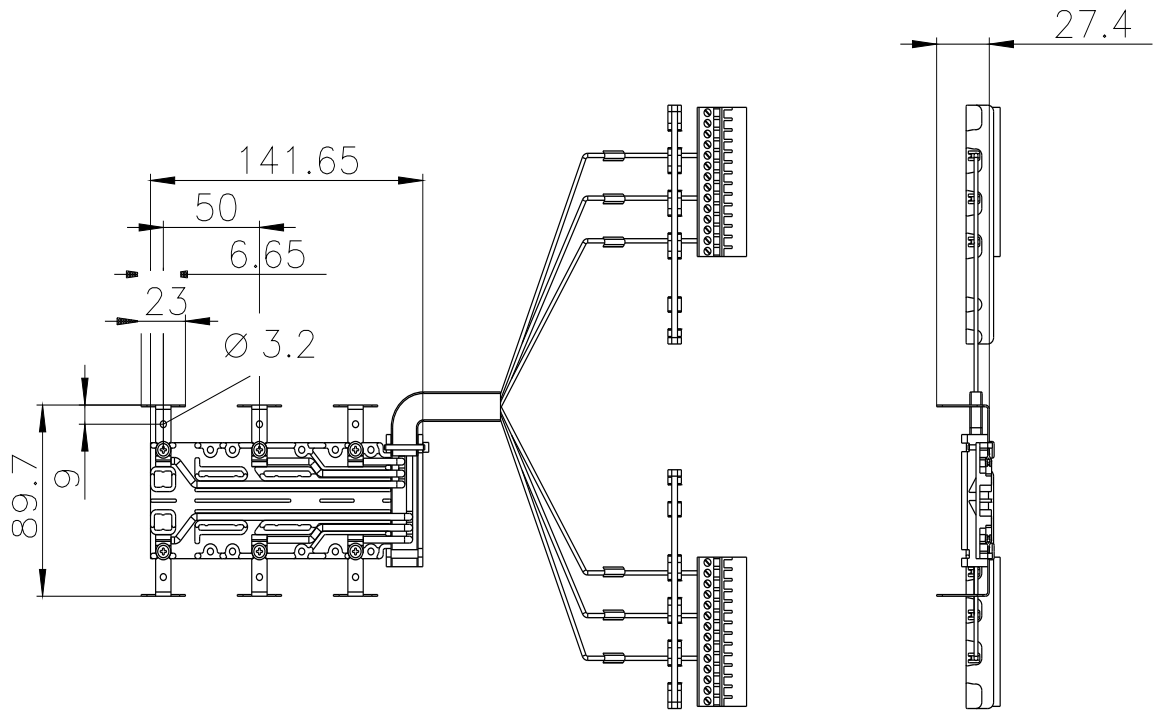
**Image database (product images, 2D dimension drawings, 3D models, device circuit diagrams, ...)**

[https://www.automation.siemens.com/bilddb/cax\\_en.aspx?mlfb=3KC9832-1](https://www.automation.siemens.com/bilddb/cax_en.aspx?mlfb=3KC9832-1)

**CAX-Online-Generator**

<https://www.siemens.com/cax>

**Tender specifications**



last modified:

4/3/2025 

