

Accessory for 3KC8 Power supply cable for connection at the top 4-pole for 1600 A contains 1 unit



Model	
product brand name	SENTRON
product designation	Accessories for transfer switching equipment
design of the product	power supply cable, 4-pole, top side
suitability for use	for 3KC8, 1600 A
product description	Contains 1 unit

Connections	
type of electrical connection for main current circuit	flat connector

Mechanical Design	
depth	113 mm
Net Weight	302 g

Approvals Certificates	
Environment	General Product Approval

[Environmental Con-
firmations](#)

[Miscellaneous](#)



[Confirmation](#)



Test Certificates	
other	

[Type Test Certific-
ates/Test Report](#)

[Confirmation](#)



Further information	
---------------------	--

Information on the packaging

<https://support.industry.siemens.com/cs/ww/en/view/109813875>

Information for data generation and storage

<https://support.industry.siemens.com/cs/ww/en/view/109995012>

Information- and Downloadcenter (Catalogs, Brochures,...)

<https://www.siemens.com/lowvoltage/catalogs>

Industry Mall (Online ordering system)

<https://mall.industry.siemens.com/mall/en/en/Catalog/product?mlfb=3KC9831-6>

Service&Support (Manuals, Certificates, Characteristics, FAQs,...)

<https://support.industry.siemens.com/cs/ww/en/ps/3KC9831-6>

Image database (product images, 2D dimension drawings, 3D models, device circuit diagrams, ...)

https://www.automation.siemens.com/bilddb/cax_en.aspx?mlfb=3KC9831-6

CAX-Online-Generator

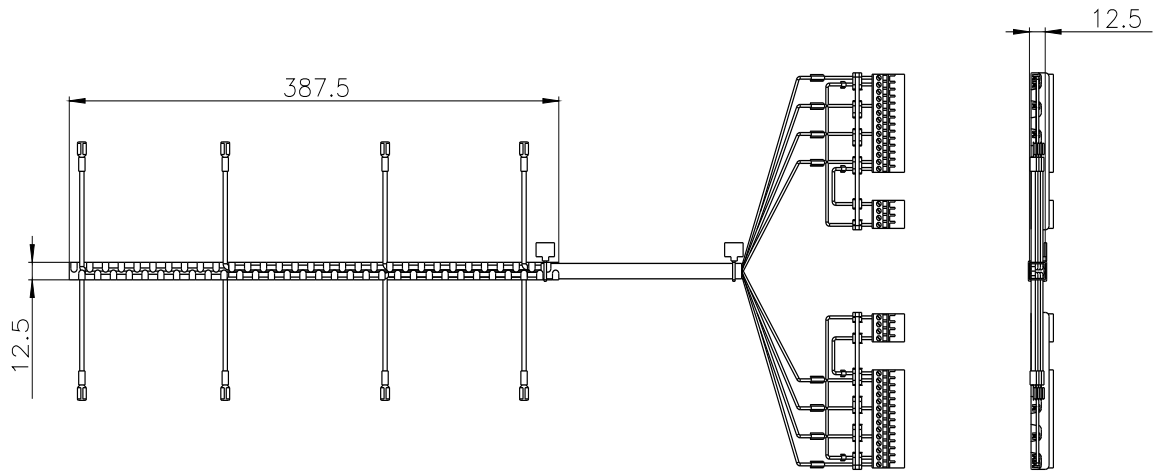
<https://www.siemens.com/cax>

Tender specifications

<https://www.siemens.com/specifications>

Characteristic curves

https://curves.simaris.siemens.com/curves/<mmp_prod_noCOMP='HAUPT'></mmp_prod_no>



last modified:

4/3/2025 

