

Accessory for 3KC4, 3KC8 Motor drive, spare part for 630 A contains 1 unit



Model	
product brand name	SETRON
product designation	Accessories for transfer switching equipment
design of the product	Motorized operating mechanism
Suitability	
suitability for use	for 3KC4, 3KC8, 630 A
Product details	
product description	spare part, 1 unit
Mechanical Design	
height	140 mm
width	205 mm
depth	238 mm
Net Weight	3.674 kg
Approvals Certificates	
Environment	General Product Approval

[Environmental Confirmations](#)

[Miscellaneous](#)



[Confirmation](#)



Test Certificates	
other	
Type Test Certificates/Test Report	Confirmation

Further information
Information on the packaging https://support.industry.siemens.com/cs/ww/en/view/109813875
Information for data generation and storage https://support.industry.siemens.com/cs/ww/en/view/109995012
Information- and Downloadcenter (Catalogs, Brochures,...) https://www.siemens.com/lowvoltage/catalogs
Industry Mall (Online ordering system) https://mall.industry.siemens.com/mall/en/en/Catalog/product?mlfb=3KC9826-2
Service&Support (Manuals, Certificates, Characteristics, FAQs,...) https://support.industry.siemens.com/cs/ww/en/ps/3KC9826-2
Image database (product images, 2D dimension drawings, 3D models, device circuit diagrams, ...) https://www.automation.siemens.com/bilddb/cax_en.aspx?mlfb=3KC9826-2
CAX-Online-Generator

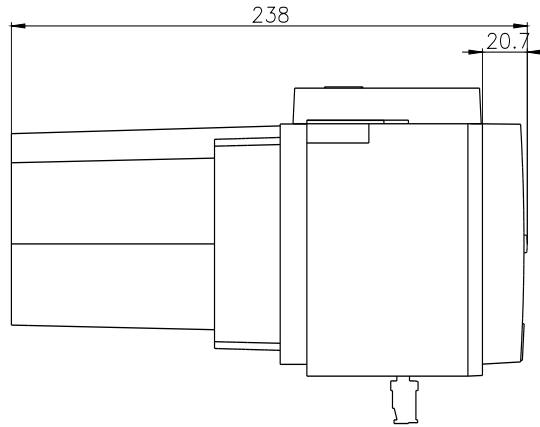
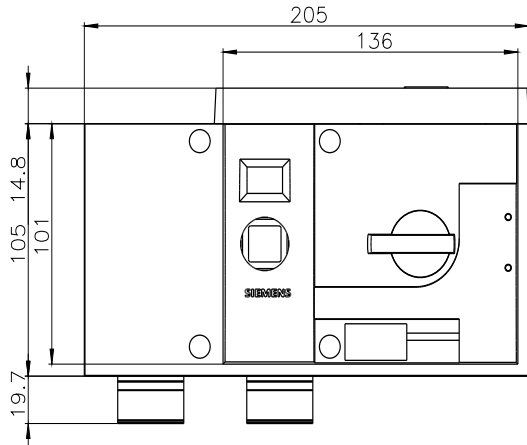
<https://www.siemens.com/cax>

Tender specifications

<https://www.siemens.com/specifications>

Characteristic curves

https://curves.simaris.siemens.com/curves/<mmp_prod_noCOMP='HAUPT'></mmp_prod_no>



last modified:

4/3/2025

