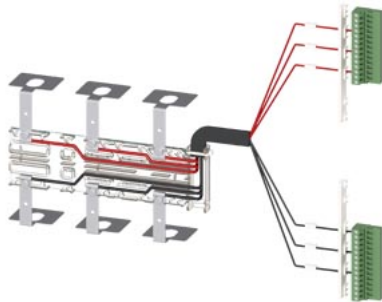


Accessory for 3KC8 Auxiliary conductor terminals, kit for connection at the bottom 3-pole for 630 A contains 1 unit



Model	
product brand name	SENTRON
product designation	Accessories for transfer switching equipment
design of the product	control wire taps, assembly kit
suitability for use	for 3KC4, 3KC8, 630 A, 3-pole
product description	Auxiliary conductor terminals, kit, 3-pole, for bottom connection

Connections	
type of electrical connection for main current circuit	flat connector

Mechanical Design	
depth	65 mm
Net Weight	0.332 kg

Approvals Certificates	
Environment	General Product Approval

[Environmental Confirmations](#)

[Miscellaneous](#)



[Confirmation](#)



Test Certificates	
other	

[Type Test Certificates/Test Report](#)

[Confirmation](#)



Further information	
---------------------	--

Information on the packaging

<https://support.industry.siemens.com/cs/ww/en/view/109813875>

Information for data generation and storage

<https://support.industry.siemens.com/cs/ww/en/view/109995012>

Information- and Downloadcenter (Catalogs, Brochures,...)

<https://www.siemens.com/lowvoltage/catalogs>

Industry Mall (Online ordering system)

<https://mall.industry.siemens.com/mall/en/en/Catalog/product?mlfb=3KC9822-3>

Service&Support (Manuals, Certificates, Characteristics, FAQs,...)

<https://support.industry.siemens.com/cs/ww/en/ps/3KC9822-3>

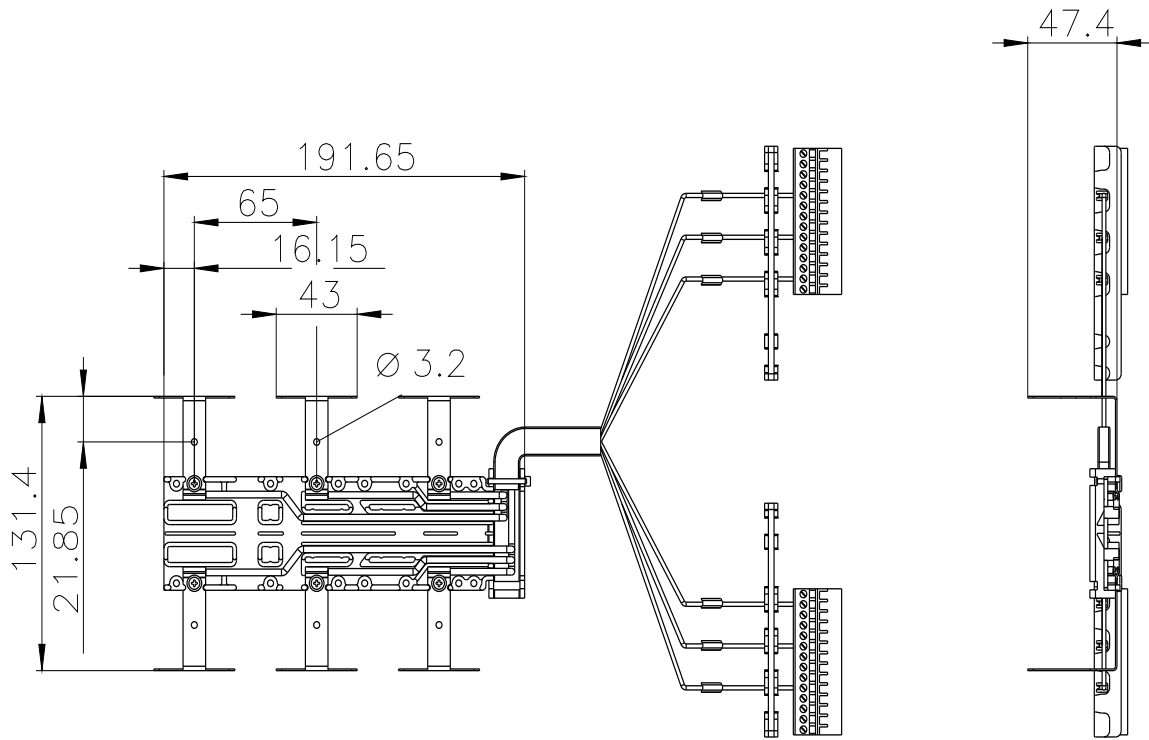
Image database (product images, 2D dimension drawings, 3D models, device circuit diagrams, ...)

https://www.automation.siemens.com/bilddb/cax_en.aspx?mlfb=3KC9822-3

CAX-Online-Generator

<https://www.siemens.com/cax>

Tender specifications



last modified:

4/3/2025 

