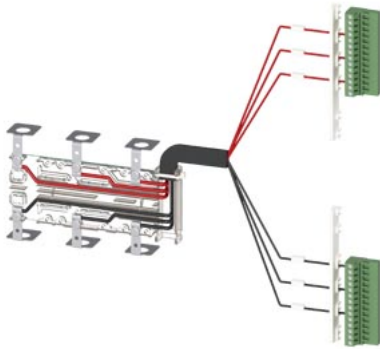


Accessory for 3KC8 Auxiliary conductor terminals, kit for connection at the bottom 3-pole for 250 A contains 1 unit



| Model                 |   |
|-----------------------|---|
| product brand name    | SENTRON   |
| product designation   | Accessories for transfer switching equipment                      |
| design of the product | control wire taps, assembly kit                                   |
| suitability for use   | for 3KC4, 3KC8, 250 A, 3-pole                                     |
| product description   | Auxiliary conductor terminals, kit, 3-pole, for bottom connection |

| Connections  |                |
|--|----------------|
| type of electrical connection for main current circuit | flat connector |

| Mechanical Design |       |
|-------------------|-------|
| depth             | 57 mm |
| Net Weight        | 258 g |

| Approvals Certificates |                          |
|------------------------|--------------------------|
| Environment            | General Product Approval |

[Environmental Confirmations](#)

[Miscellaneous](#)



[Confirmation](#)

| Test Certificates |  |
|-------------------|--|
| other             |  |

[Type Test Certificates/Test Report](#)

[Confirmation](#)



| Further information |  |
|---------------------|--|
|---------------------|--|

Information on the packaging

<https://support.industry.siemens.com/cs/ww/en/view/109813875>

Information for data generation and storage

<https://support.industry.siemens.com/cs/ww/en/view/109995012>

Information- and Downloadcenter (Catalogs, Brochures,...)

<https://www.siemens.com/lowvoltage/catalogs>

Industry Mall (Online ordering system)

<https://mall.industry.siemens.com/mall/en/en/Catalog/product?mlfb=3KC9822-1>

Service&Support (Manuals, Certificates, Characteristics, FAQs,...)

<https://support.industry.siemens.com/cs/ww/en/ps/3KC9822-1>

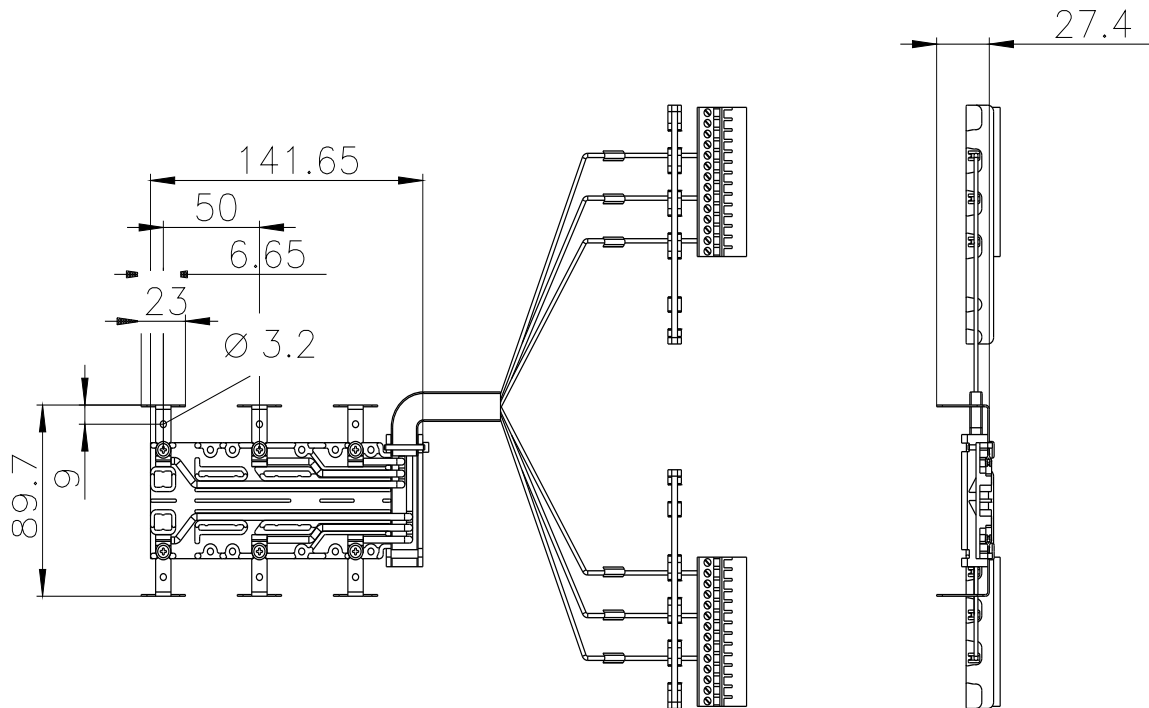
Image database (product images, 2D dimension drawings, 3D models, device circuit diagrams, ...)

[https://www.automation.siemens.com/bilddb/cax\\_en.aspx?mlfb=3KC9822-1](https://www.automation.siemens.com/bilddb/cax_en.aspx?mlfb=3KC9822-1)

CAX-Online-Generator

<https://www.siemens.com/cax>

Tender specifications



last modified:

4/3/2025 

