



Accessory for 3KC4, 3KC8 Connecting jumper for load-side connection 1-pole for 800-1000 A contains 1 unit incl. 2 screws and 2 nuts and 4 washers

Model	
product brand name	SETRON
product designation	Accessories for transfer switching equipment
design of the product	bridging bar
suitability for use	for 3KC4, 3KC8, 800-1000 A
product description	Connecting bridge for load-side connection, 1-pole, 1 unit

Connections	
type of electrical connection for main current circuit	flat connector

Mechanical Design	
height	67 mm
width	50 mm
depth	182 mm
Net Weight	0.847 kg

Approvals Certificates	
Environment	General Product Approval

[Environmental Confirmations](#)

[Miscellaneous](#)



[Confirmation](#)



Test Certificates	
other	

[Type Test Certificates/Test Report](#)

[Confirmation](#)



Further information

Information on the packaging

<https://support.industry.siemens.com/cs/ww/en/view/109813875>

Information for data generation and storage

<https://support.industry.siemens.com/cs/ww/en/view/109995012>

Information- and Downloadcenter (Catalogs, Brochures,...)

<https://www.siemens.com/lowvoltage/catalogs>

Industry Mall (Online ordering system)

<https://mall.industry.siemens.com/mall/en/en/Catalog/product?mlfb=3KC9818-5>

Service&Support (Manuals, Certificates, Characteristics, FAQs,...)

<https://support.industry.siemens.com/cs/ww/en/ps/3KC9818-5>

Image database (product images, 2D dimension drawings, 3D models, device circuit diagrams, ...)

https://www.automation.siemens.com/bilddb/cax_en.aspx?mlfb=3KC9818-5

CAX-Online-Generator

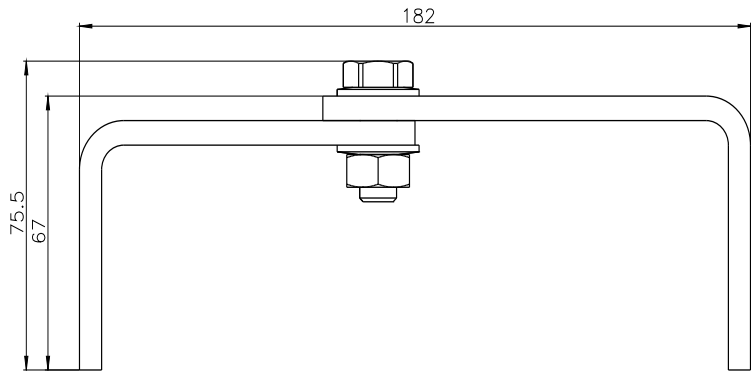
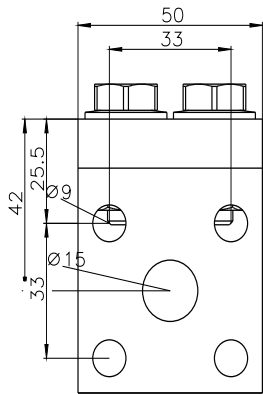
<https://www.siemens.com/cax>

Tender specifications

<https://www.siemens.com/specifications>

Characteristic curves

https://curves.simaris.siemens.com/curves/<mmp_prod_noCOMP='HAUPT'></mmp_prod_no>



last modified:

4/3/2025

