



Accessory for 3KC4, 3KC8 Connecting jumper for load-side connection 1-pole for 250 A contains 1 unit incl. 3 screws and 3 washers

Model	
product brand name	SENTRON
product designation	Accessories for transfer switching equipment
design of the product	bridging bar
suitability for use	for 3KC4, 3KC8, 250 A
product description	Connecting bridge for load-side connection, 1-pole, 1 unit

Connections	
type of electrical connection for main current circuit	flat connector

Mechanical Design	
height	29.5 mm
width	25 mm
depth	90.5 mm
Net Weight	184 g

Approvals Certificates	
Environment	General Product Approval

[Environmental Confirmations](#)

[Miscellaneous](#)



[Confirmation](#)



Test Certificates	
other	

[Type Test Certificates/Test Report](#)

[Confirmation](#)



Further information

- Information on the packaging
<https://support.industry.siemens.com/cs/ww/en/view/109813875>
- Information for data generation and storage
<https://support.industry.siemens.com/cs/ww/en/view/109995012>
- Information- and Downloadcenter (Catalogs, Brochures,...)
<https://www.siemens.com/lowvoltage/catalogs>
- Industry Mall (Online ordering system)
<https://mall.industry.siemens.com/mall/en/en/Catalog/product?mlfb=3KC9818-2>
- Service&Support (Manuals, Certificates, Characteristics, FAQs,...)
<https://support.industry.siemens.com/cs/ww/en/ps/3KC9818-2>
- Image database (product images, 2D dimension drawings, 3D models, device circuit diagrams, ...)
https://www.automation.siemens.com/bilddb/cax_en.aspx?mlfb=3KC9818-2
- CAX-Online-Generator

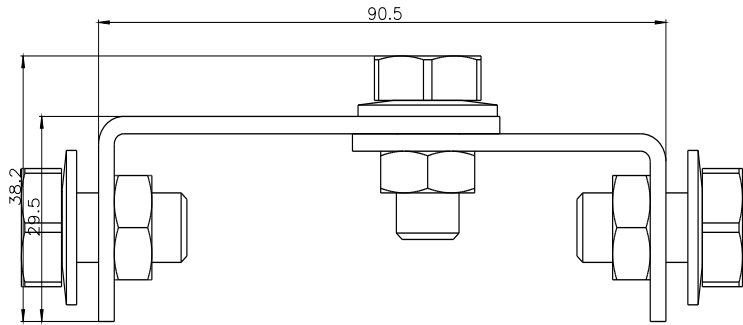
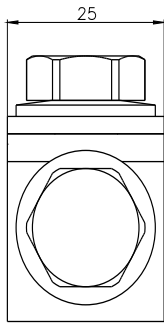
<https://www.siemens.com/cax>

Tender specifications

<https://www.siemens.com/specifications>

Characteristic curves

https://curves.simaris.siemens.com/curves/<mmp_prod_noCOMP='HAUPT'></mmp_prod_no>



last modified:

4/3/2025

