

accessories for 3KC0 size 5, bridging bar, for load-side connection, 1-pole, for 3KC0 size 5, 1 unit

Model	
product brand name	SENTRON
product designation	Accessories for transfer switching equipment
design of the product	bridging bar
suitability for use	for 3KC0 MTSE, size 5
product description	Connecting bridge for load-side connection, 1-pole, 1 unit

Connections	
type of electrical connection for main current circuit	flat connector

Mechanical Design	
height	132 mm
width	60 mm
depth	116 mm
Net Weight	1.928 kg

Approvals Certificates	
Environment	General Product Approval

[Environmental Confirmations](#)



[Miscellaneous](#)



[Confirmation](#)



General Product Approval	Test Certificates	Maritime application	other
--------------------------	-------------------	----------------------	-------



[Type Test Certificates/Test Report](#)



[Confirmation](#)



### Further information

Information on the packaging

<https://support.industry.siemens.com/cs/ww/en/view/109813875>

Information for data generation and storage

<https://support.industry.siemens.com/cs/ww/en/view/109995012>

Information- and Downloadcenter (Catalogs, Brochures,...)

<https://www.siemens.com/lowvoltage/catalogs>

Industry Mall (Online ordering system)

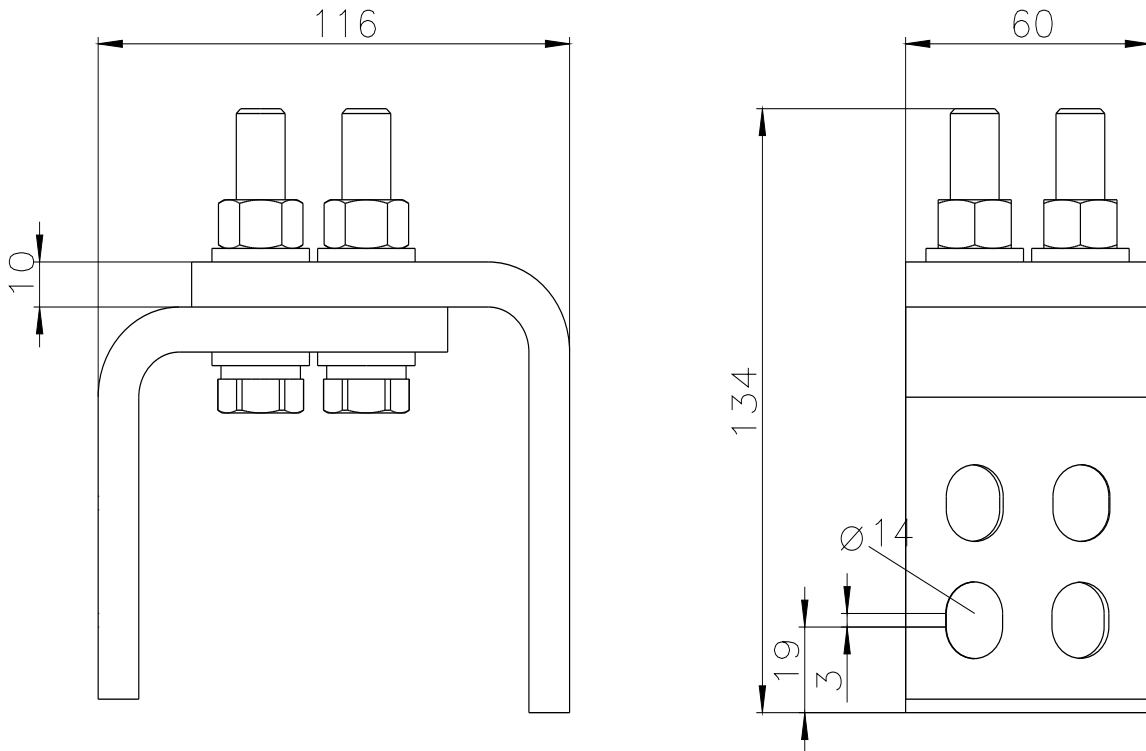
<https://mall.industry.siemens.com/mall/en/en/Catalog/product?mlfb=3KC9518-0>

Service&Support (Manuals, Certificates, Characteristics, FAQs,...)

<https://support.industry.siemens.com/cs/ww/en/ps/3KC9518-0>

Image database (product images, 2D dimension drawings, 3D models, device circuit diagrams, ...)

[https://www.automation.siemens.com/bilddb/cax\\_en.aspx?mlfb=3KC9518-0](https://www.automation.siemens.com/bilddb/cax_en.aspx?mlfb=3KC9518-0)



last modified:

4/3/2025 

