

accessories for 3KC0 size 5, direct operating mechanism, gray, with cover, for 3KC0 size 5, 3 and 4-pole, 1 unit



Model	
product brand name	SETRON
product designation	Accessories for transfer switching equipment
design of the product	Direct operating mechanism
type of the driving mechanism	Manual operating mechanism
protection class IP on the front	IP30
Suitability	
suitability for use	for 3KC MTSE, size 5
Appearance	
color of the actuating element	gray
Product details	
product feature interlock	Yes
product feature can be locked into OFF position	Yes
display version for switch position indicator	I-O-II
Mechanical Design	
height	180 mm
width	254 mm
depth	140.5 mm
Net Weight	0.874 kg
Approvals Certificates	
Environment	General Product Approval

[Environmental Conformations](#)



[Miscellaneous](#)



[Confirmation](#)



General Product Approval	Test Certificates	Maritime application	other
	<a href="#">Type Test Certificates/Test Report</a>		<a href="#">Confirmation</a>

Further information
Information on the packaging <a href="https://support.industry.siemens.com/cs/ww/en/view/109813875">https://support.industry.siemens.com/cs/ww/en/view/109813875</a>
Information for data generation and storage <a href="https://support.industry.siemens.com/cs/ww/en/view/109995012">https://support.industry.siemens.com/cs/ww/en/view/109995012</a>

Information- and Downloadcenter (Catalogs, Brochures,...)

<https://www.siemens.com/lowvoltage/catalogs>

Industry Mall (Online ordering system)

<https://mall.industry.siemens.com/mall/en/en/Catalog/product?mlfb=3KC9501-1>

Service&Support (Manuals, Certificates, Characteristics, FAQs,...)

<https://support.industry.siemens.com/cs/ww/en/ps/3KC9501-1>

Image database (product images, 2D dimension drawings, 3D models, device circuit diagrams, ...)

[https://www.automation.siemens.com/bilddb/cax\\_en.aspx?mlfb=3KC9501-1](https://www.automation.siemens.com/bilddb/cax_en.aspx?mlfb=3KC9501-1)

CAx-Online-Generator

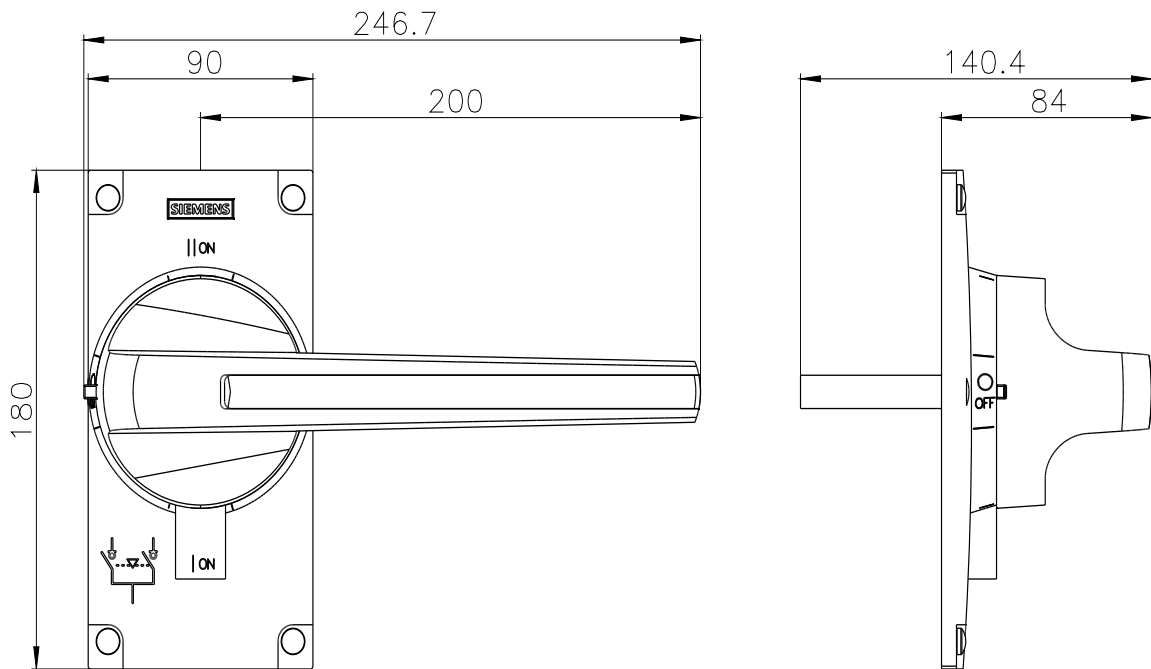
<https://www.siemens.com/cax>

Tender specifications

<https://www.siemens.com/specifications>

Characteristic curves

[https://curves.simaris.siemens.com/curves/<mmp\\_prod\\_noCOMP="HAUPT"></mmp\\_prod\\_no>](https://curves.simaris.siemens.com/curves/<mmp_prod_noCOMP=)



last modified:

4/3/2025

