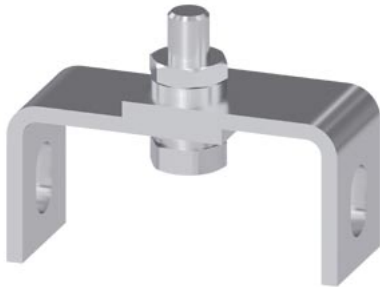


accessories for 3KC0 size 3, bridging bar, for load-side connection, 1-pole, for 3KC0 size 3, 1 unit



Model	
product brand name	SENTRON
product designation	Accessories for transfer switching equipment
design of the product	bridging bar
suitability for use	for 3KC0 MTSE, size 3
product description	Connecting bridge for load-side connection, 1-pole, 1 unit

Connections	
type of electrical connection for main current circuit	flat connector

Mechanical Design	
height	59 mm
width	30 mm
depth	83 mm
Net Weight	282 g

Approvals Certificates	
Environment	General Product Approval

[Environmental Confirmations](#)



[Miscellaneous](#)



[Confirmation](#)



General Product Approval	Test Certificates	Maritime application	other



[Type Test Certificates/Test Report](#)

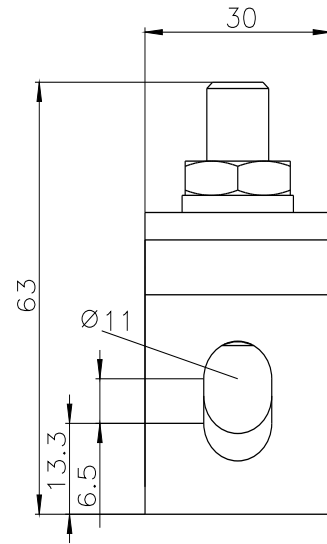
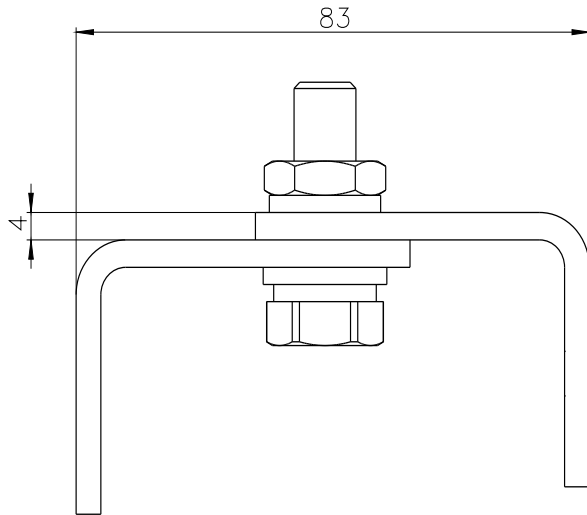


[Confirmation](#)



Further information

- Information on the packaging
<https://support.industry.siemens.com/cs/ww/en/view/109813875>
- Information for data generation and storage
<https://support.industry.siemens.com/cs/ww/en/view/109995012>
- Information- and Downloadcenter (Catalogs, Brochures,...)
<https://www.siemens.com/lowvoltage/catalogs>
- Industry Mall (Online ordering system)
<https://mall.industry.siemens.com/mall/en/en/Catalog/product?mlfb=3KC9318-0>
- Service&Support (Manuals, Certificates, Characteristics, FAQs,...)
<https://support.industry.siemens.com/cs/ww/en/ps/3KC9318-0>
- Image database (product images, 2D dimension drawings, 3D models, device circuit diagrams, ...)
https://www.automation.siemens.com/bilddb/cax_en.aspx?mlfb=3KC9318-0



last modified:

4/3/2025 

