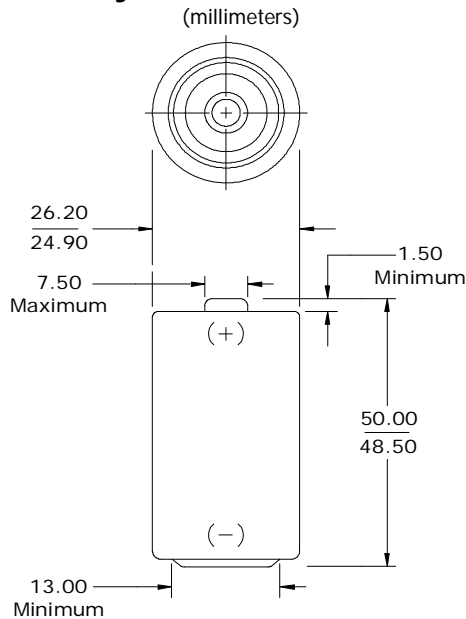


# Eveready Super Heavy Duty (R14)



## Industry Standard Dimensions

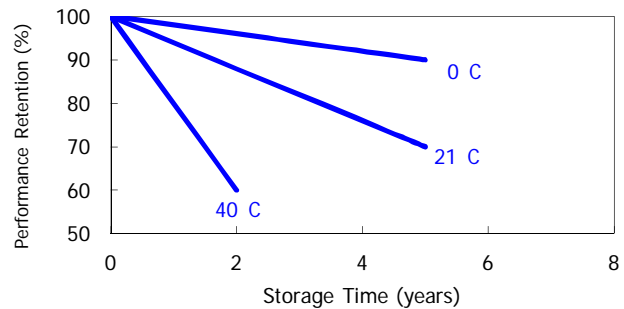


## Specifications

<b>Classification:</b>	"Carbon Zinc" (Zinc Chloride)
<b>Chemical System:</b>	Zinc-Manganese Dioxide (Zn/MnO <sub>2</sub> ) No Added Mercury or Cadmium
<b>Designation:</b>	IEC-R14
<b>Nominal Voltage:</b>	1.5 volts
<b>Operating Temp:</b>	-18°C to 55°C
<b>Typical Weight:</b>	45 grams
<b>Typical Volume:</b>	25 cubic centimeters
<b>Jacket:</b>	Metal

## Storage/Capacity Characteristics

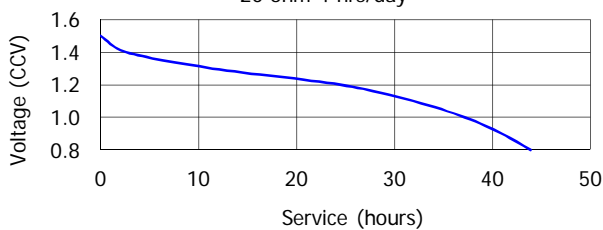
Effects of Storage at Various Temperatures



## Industry Standard Tests (21°C)

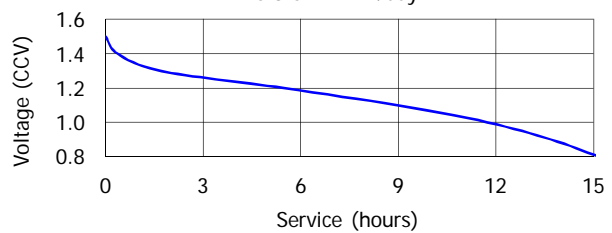
### RADIO

20 ohm 4 hrs/day



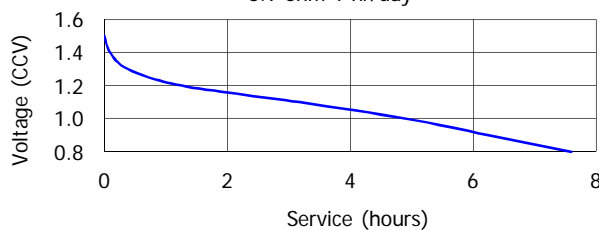
### TAPE PLAYER

6.8 ohm 1 hr/day



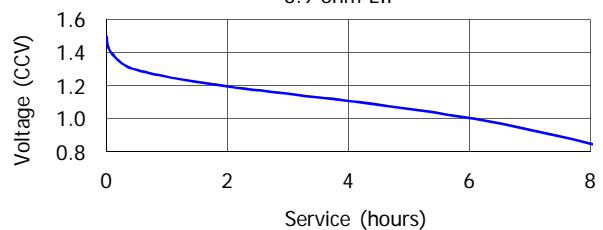
### TOY

3.9 ohm 1 hr/day



### LIGHTING

3.9 ohm LIF



## Important Notice

This datasheet contains information specific to battery chargers manufactured at the time of its publication.  
© Energizer Holdings, Inc. - Contents herein do not constitute a warranty.