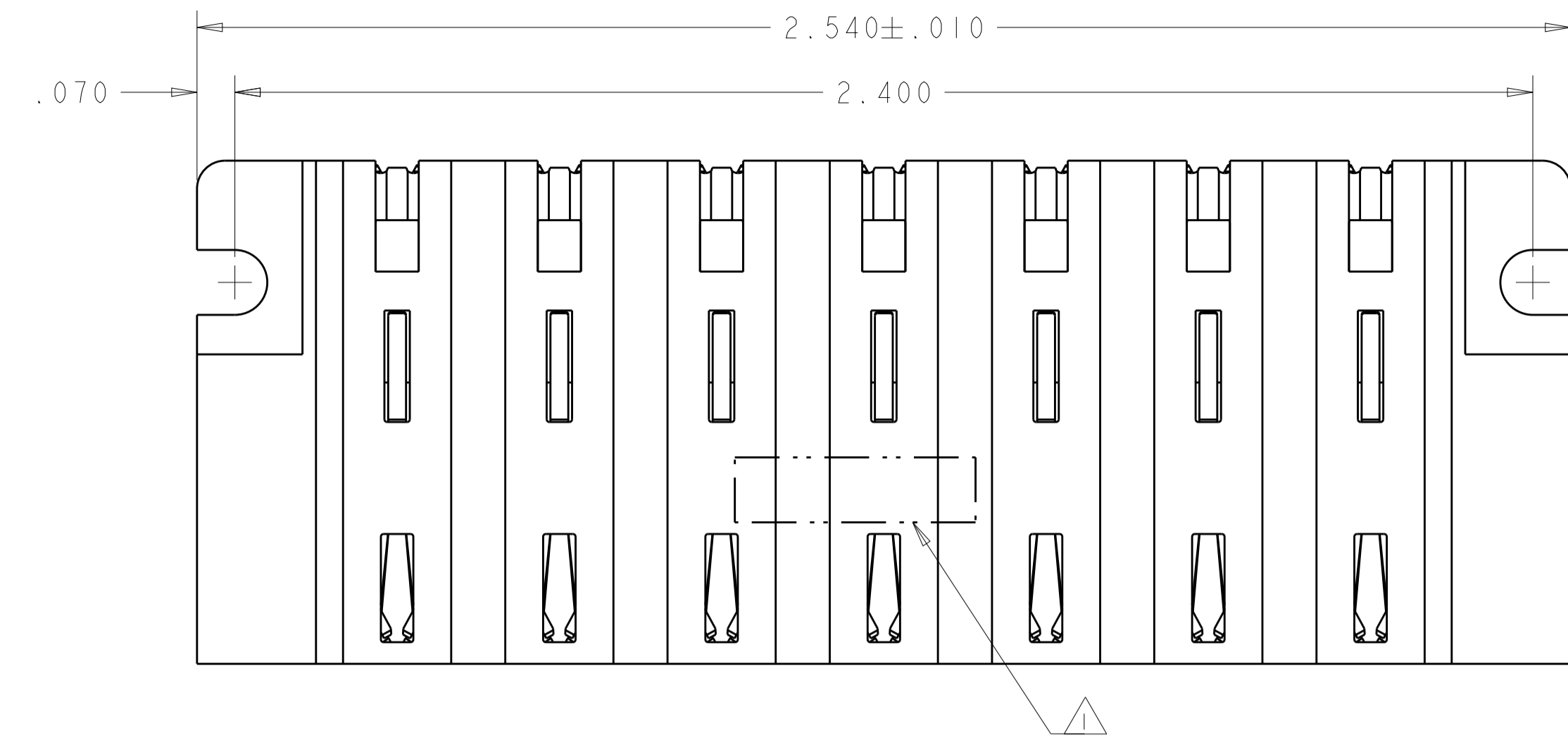
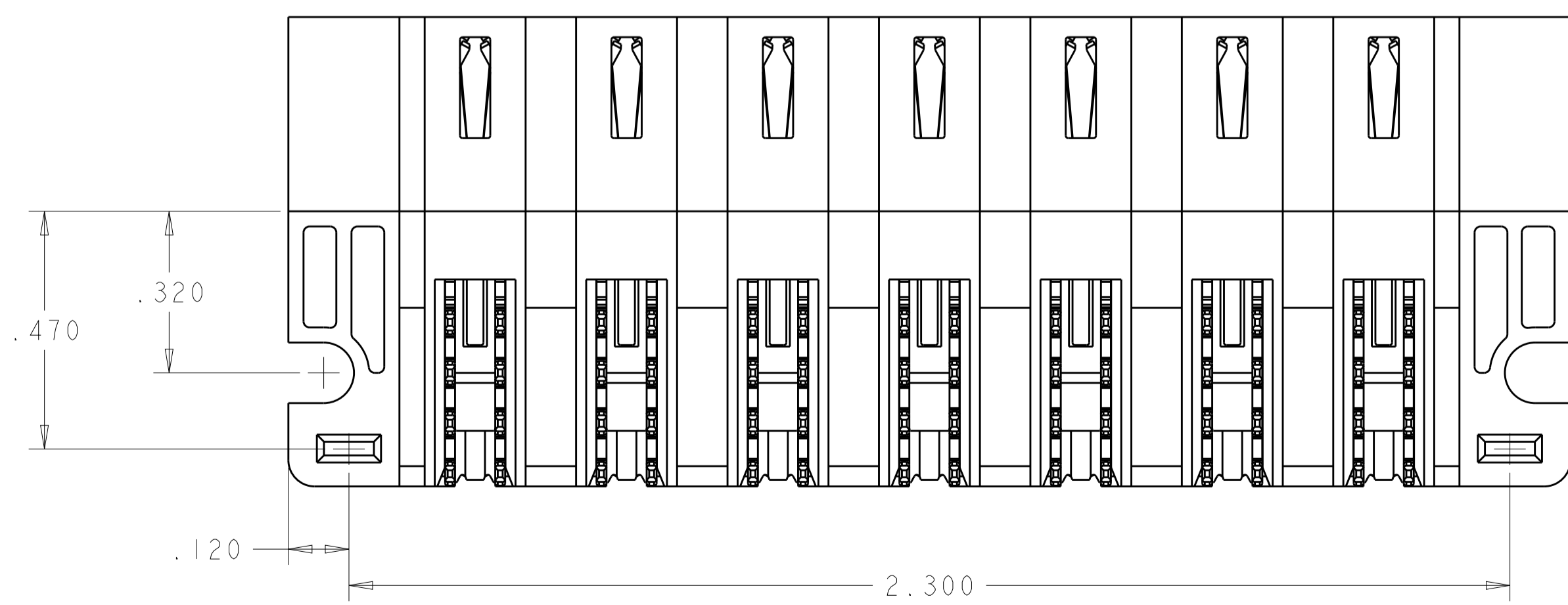
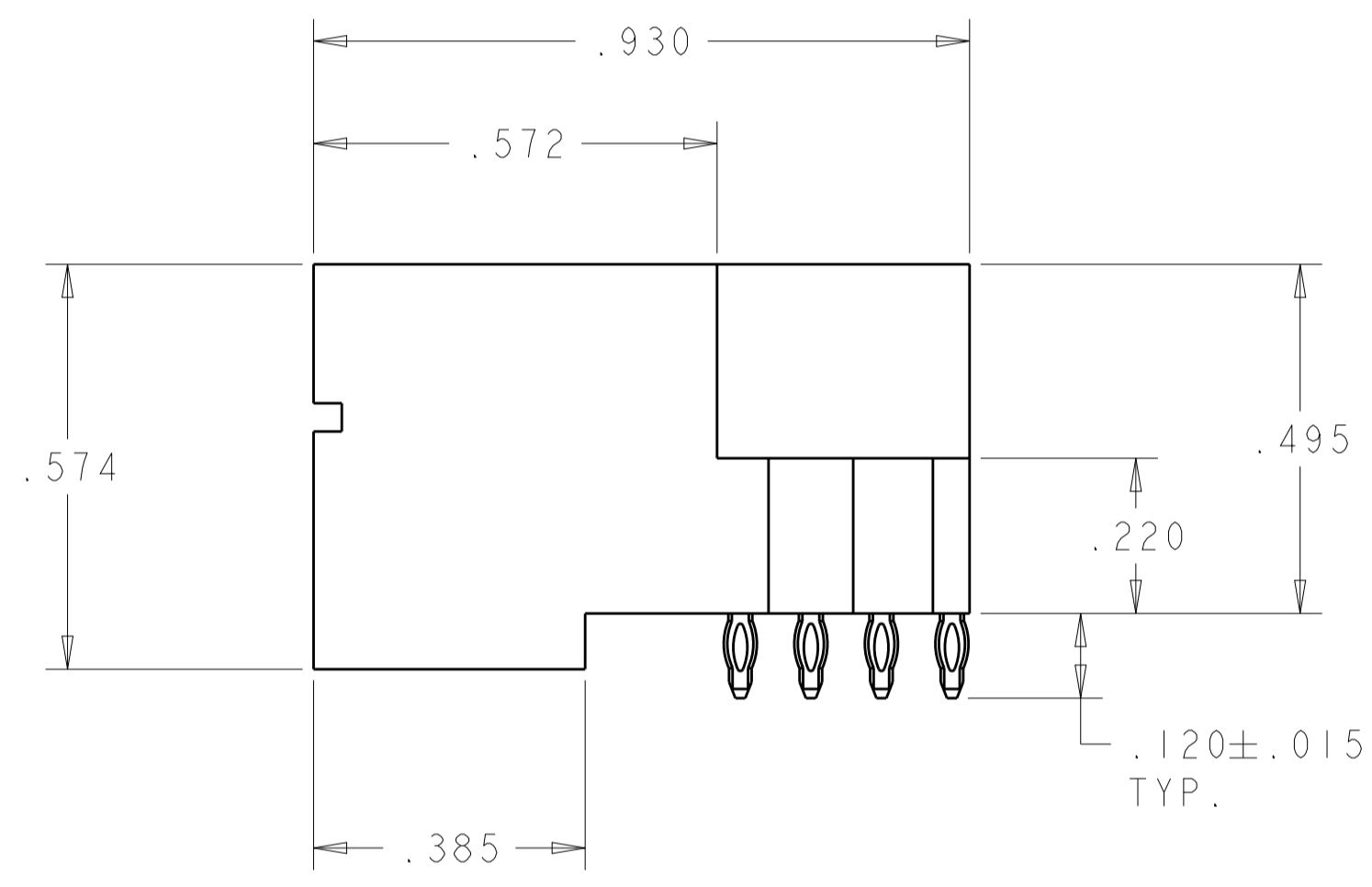
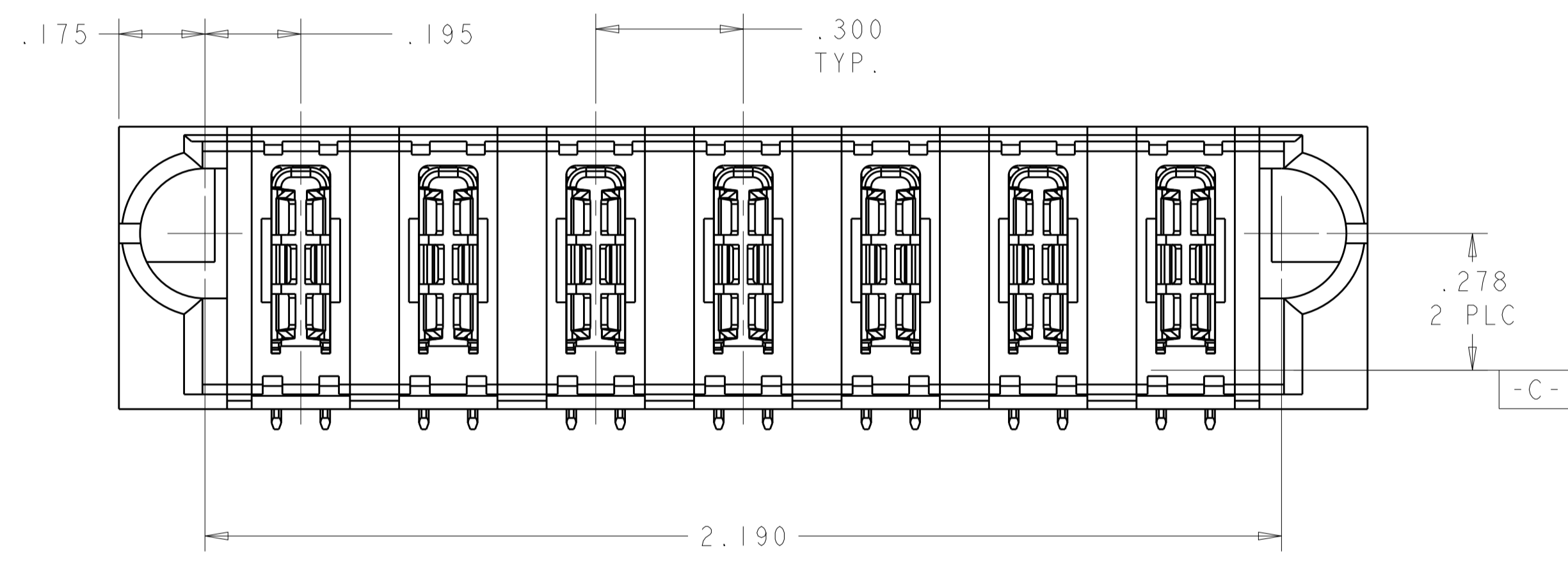


LOC		DIST		REVISIONS			
ES	00	P	LTN	DESCRIPTION	DATE	DWN	APVD
		I		RELEASE	11OCT2014	AL	SZ



- ① "AMP", PART NUMBER, AND DATECODE TO BE MARKED IN AREA SHOWN. PARTS UNDER 2.00 LONG MAY BE MARKED ON BOTH SIDES.
- ② MATERIAL: HOUSING - GLASS FILLED HIGH TEMP THERMO PLASTIC, BLACK, UL94 V-0  
 SIGNAL CONTACT - COPPER ALLOY  
 POWER CONTACT - HIGH CONDUCTIVITY COPPER ALLOY
- ③ CONTACT PLATING:  
 SIGNAL CONTACTS - .000050 MIN Ni UNDER ALL.  
 .000030 MIN. Au ON CONTACT AREA.  
 .000100 MIN Sn AT PCB INTERFACE.  
 POWER CONTACTS - .000050 MIN Ni UNDER ALL.  
 .000030 MIN. Au ON CONTACT AREA.  
 .000100 MIN Sn AT PCB INTERFACE.
- ④ MECHANICAL CONNECTOR KEEP OUT ZONE.
- ⑤ DATUM AND BASIC DIMENSIONS ESTABLISHED BY CUSTOMER.
- ⑥ PCB - HOLE DIAMETERS ARE FINISHED HOLE SIZE.
- ⑦ PCB - .0453 ± .0010 DRILLED HOLES PLATED WITH .0003 MIN Sn OVER .001 TO .003 Cu PLATING TO ACHIEVE A .040 DIA HOLE.
- ⑧ HOLD DOWN IS OPTIONAL AND PLEASE REFER TO PART NUMBER ON TABLE FOR SPECIFIED FOLLOW PAGES

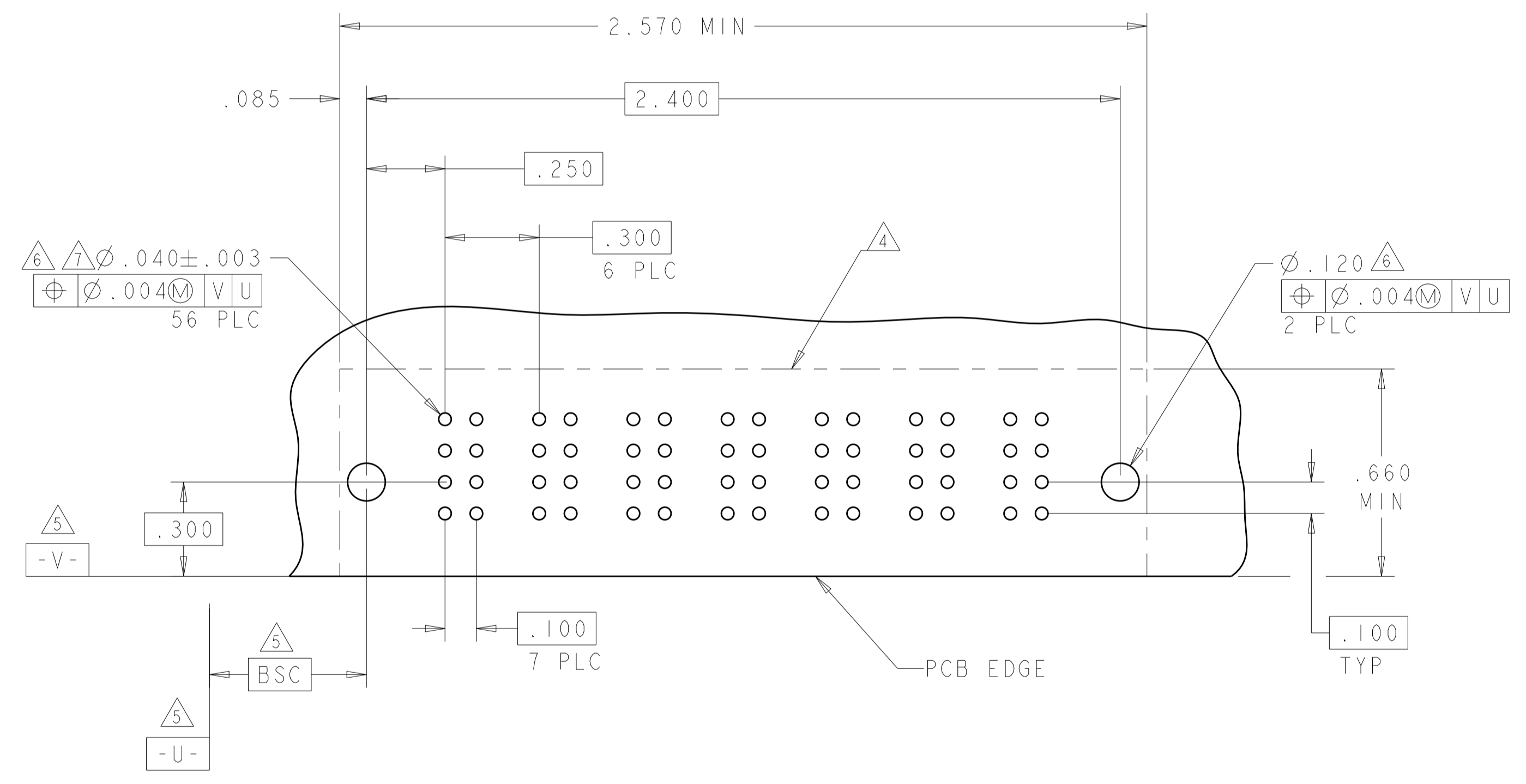


7ACP	6450843-6
DESCRIPTION	PART NUMBER

THIS DRAWING IS A CONTROLLED DOCUMENT.		DWN: HESPER L11 12JUN2008	NAME: SUNY ZHAO	
DIMENSIONS: INCHES		CHK: SUNY ZHAO 12JUN2008	APVD: SUNY ZHAO	
TOLERANCES UNLESS OTHERWISE SPECIFIED:		PRODUCT SPEC: 108-2292		
0 PLC ± .01		APPLICATION SPEC: 114-13251		
1 PLC ± .01		SIZE: A1		
2 PLC ± .005		CAGE CODE: 6450843-6		
3 PLC ± .005		DRAWING NO: 6450843-6		
4 PLC ± .0020		RESTRICTED TO: Customer Drawing		
ANGLES ± .0020		SCALE: 4:1		
FINISH: *		SHEET: 1 OF 2		
MATERIAL: .		REV: 1		

LOC	DIST	REVISIONS					
ES	00	P	LTN	DESCRIPTION	DATE	DWN	APVD
		-		SEE SHEET 1		-	-

PART NUMBER	ROWS	POWER						
		P1	P2	P3	P4	P5	P6	P7
6450843-6	D C B A	TT	TT	TT	TT	TT	TT	TT
7ACP								



HOLD DOWN	HD
.120 PRESS FIT LOW POWER CON, STD	LT
DESCRIPTION	IDENTIFIER

THIS DRAWING IS A CONTROLLED DOCUMENT.		DWN: HESPER L11 12JUN2008	TE Connectivity
DIMENSIONS: INCHES		CHK: SUNY ZHAO 12JUN2008	
TOLERANCES UNLESS OTHERWISE SPECIFIED: 0 PLC ±. 1 PLC ±.01 2 PLC ±.01 3 PLC ±.005 4 PLC ±.0020 ANGLES ±.7°		APVD: SUNY ZHAO	NAME: SUNY ZHAO
		PRODUCT SPEC: 108-2292	RIGHT ANGLE HEADER W/ LP CONTACTS AND SHORT END MODULES MULTI-BEAM XLE
MATERIAL: -		APPLICATION SPEC: 114-13251	SIZE: A100779
FINISH: -		WEIGHT: -	CAGE CODE: 6450843-6
Customer Drawing		SCALE: 4:1	SHEET 2 OF 2 REV 1