



### Features:

- Universal / Full range AC input
- IP Rated Weatherproof unit
- Class I power (required to be earthed)
- Wall-mountable
- Tightenable glands for IP & OP wires
- Cost effective and high reliability
- Protections: Over Voltage, Short circuit & Over Temp.
- CE & EMC Compliant
- Made in the UK
- Level V ErP/EuP efficiency compliant
- MTBF >50,000 hours
- 1 Year Warranty



Output Characteristics					
Part Number	T4467AD	T4211AD	T4466AD	T4492AD	T4494AD
Voltage	12Vdc	12Vdc	12Vdc	12Vdc	12Vdc
Output Voltage Range	11.4 - 12.6V	11.4 - 12.6V	11.4 - 12.6V	+/-0.6V	+/-0.6V
Current Max.	1A	1.5A	2A	3.5A	5A
Current Min.	0A	0A	0A	0A	0A
Power (watts)	12W	18W	24W	42W	60W
Line Regulation	±1%	±1%	±1%	±1%	±1%
Voltage Tolerance	±5%	±5%	±5%	±5%	±5%
Ripple & Noise (mV p-p)	<120mV	<120mV	<120mV	120mV	150mV
Protections	OCP, OVP, Short (Hiccup) & Temperature				
Case Size (See below)	CAS0002	CAS0002	CAS0002	CAS0027	CAS0027
Weight (approx.)	>1kg	>1kg	>1kg	>1kg	>1kg
DC Output Connection	Re-Wireable Terminal block for 0Vdc & 12Vdc wires				

Input Characteristics					
Rated Input Voltage	100-240Vac				
Full Input Voltage Range	90-264Vac				
Rated Frequency	50-60Hz				
Full Frequency Range	47-63Hz				
Efficiency (min.)	>70%	>70%	>70%	75%	75%
Input Current (RMS Max.)	600mA	600mA	600mA	1.5A	1.5A
Input Power (no load)	<0.3W Max. (Level V ErP/EuP/CEC Compliant)				
AC Input Connection	Re-Wireable Terminal block for L - E - N wires				

Safety, Mechanical and Other Characteristics	
Hi-Pot Specification	3000Vac 10mA 1 min. (I.P. to O.P.)
Operating Temperature	0°C to 40°C
Storage Temperature	-10°C to 70°C
Operating Humidity	20% to 80%
Storage Humidity	10% to 90%
Safety Approvals	EN60950
EMI Standards	EN55022B
PB-free	Yes. RoHS Compliant
MTBF	50K Hours (mean time before failure)
Weatherproofing	IP65/IP66 Rated



### Stontronics Ltd

Chancerygate Business Centre, Cradock Road, Reading, Berkshire, RG2 0AH.

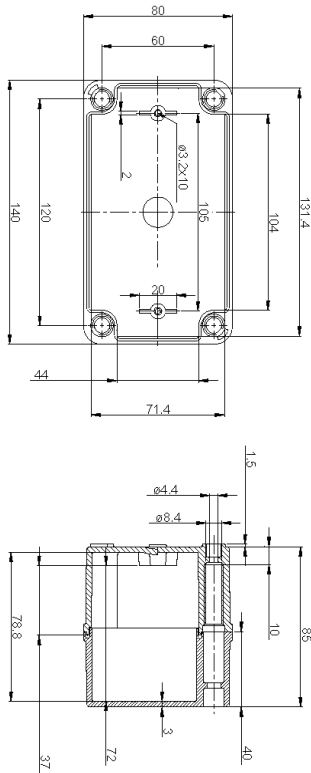
Tel: +44 (0) 118 931 1199 • Fax: +44 (0) 118 931 1145 • Email: info@stontronics.co.uk • Web: www.stontronics.co.uk

Please Note: Image shown is representative of entire range. Individual PSU image &/or drawings or data sheets available on request.

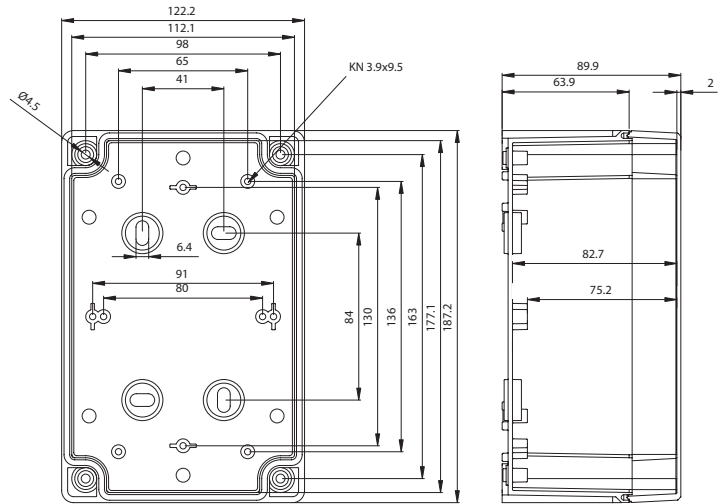
Stontronics Ltd accepts no responsibility for typographical errors in the production of this leaflet. Product specifications are subject to change without notice.

## Case Drawings:

CAS00002:

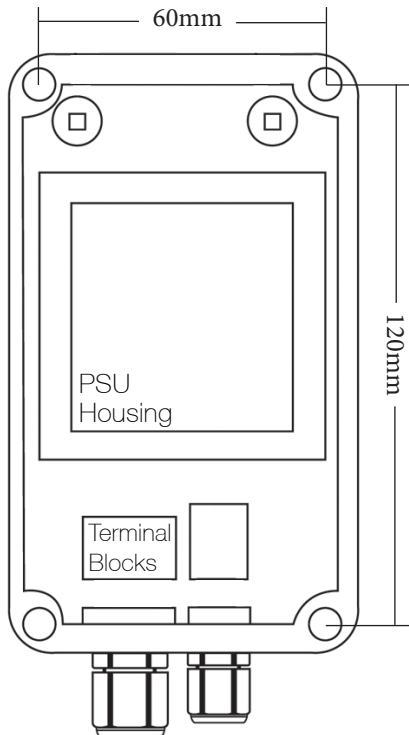


CAS0027:



## Internal View & Wall-mounting Holes

- T4467AD, T4211AD & T4466AD:



- T4492AD & T4494AD:

