

USB Type A Connector, Adapter and Dust Cap

multicomp PRO

MP002428 USB-A Metal C3 Panel Jack Screw Dip

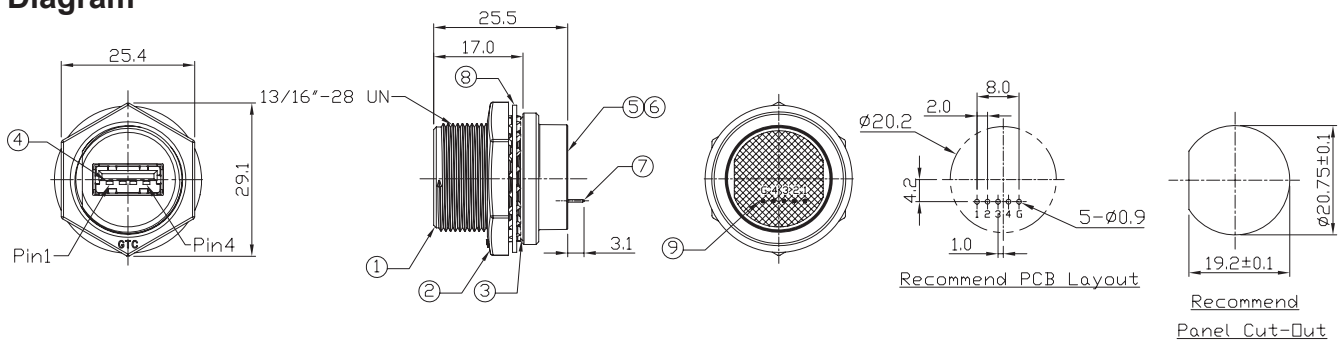
**RoHS
Compliant**



Specifications

IP Rating : IP68
 Recommend Panel Thickness : 0.8mm to 6mm
 Recommend Torque : 19 to 20Kgf-cm

Diagram



Dimensions : Millimetres

No.	Part Name	Material/Finish	Qty.
1	Housing	Zn Alloy; Finish: Ni Plated	1
2	Hex Nut	Zn Alloy; Finish: Ni Plated	
3	O-Ring	Silicone; Colour: Red	1
4	USB-A Receptacle	Housing: Thermoplastic; Colour: Black	
		Contacts: Copper Alloy, Finish: Au Plated	
5	PCB	FR-4; Colour: Green	1
6	EMI Shielded Plate	Copper; Finish: Ni Plated	
7	Pin Header	Housing: Thermoplastic; Colour: Black	
		Contacts: Copper Alloy, Finish: Gold Flash	
8	Metal Washer	SUS	
9	Glue	Epoxy; Colour: Black	

Newark.com/multicomp-pro
 Farnell.com/multicomp-pro
 Element14.com/multicomp-pro

multicomp PRO

USB Type A Connector, Adapter and Dust Cap

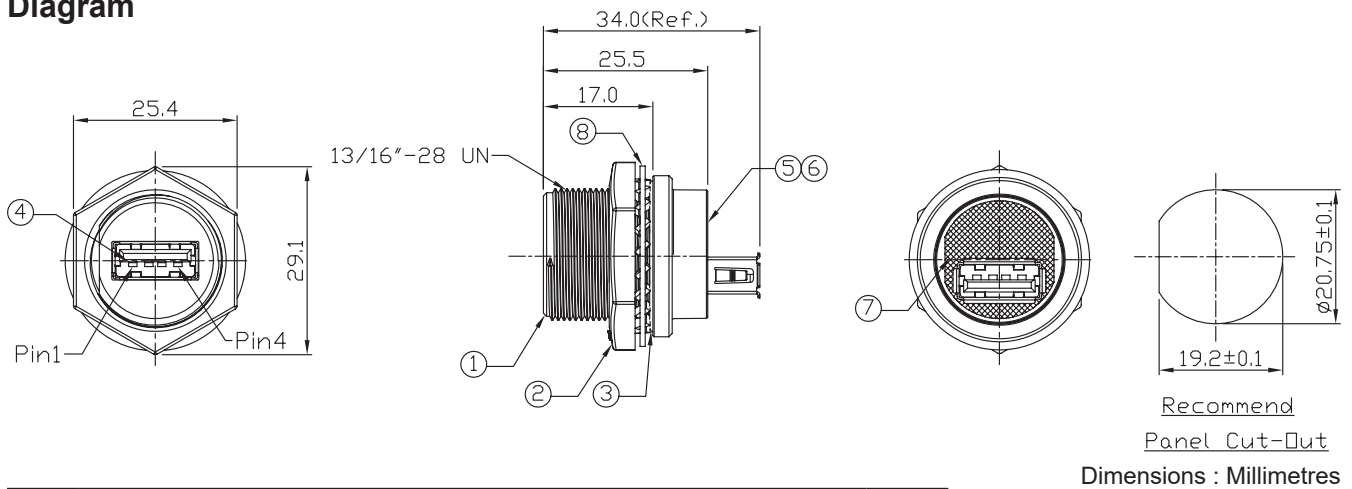
MP002429 USB-A Metal C3 Panel Jack Screw Dip



Specifications

IP Rating : IP68
 Recommend Panel Thickness : 0.8mm to 6mm
 Recommend Torque : 19 to 20Kgf-cm

Diagram



No.	Part Name	Material/Finish	Qty.
1	Housing	Zn Alloy; Finish: Ni Plated	1
2	Hex Nut	Zn Alloy; Finish: Ni Plated	
3	O-Ring	Silicone; Colour: Red	
4	USB-A Receptacle	Housing: Thermoplastic; Colour: Black	2
		Contacts: Copper Alloy, Finish: Au Plated	
		Shell: Copper Alloy, Finish: Ni Plated	
5	PCB	FR-4; Colour: Green	1
6	EMI Shielded Plate	Copper; Finish: Ni Plated	
7	Glue	Epoxy; Colour: Black	
8	Metal Washer	SUS	

USB Type A Connector, Adapter and Dust Cap

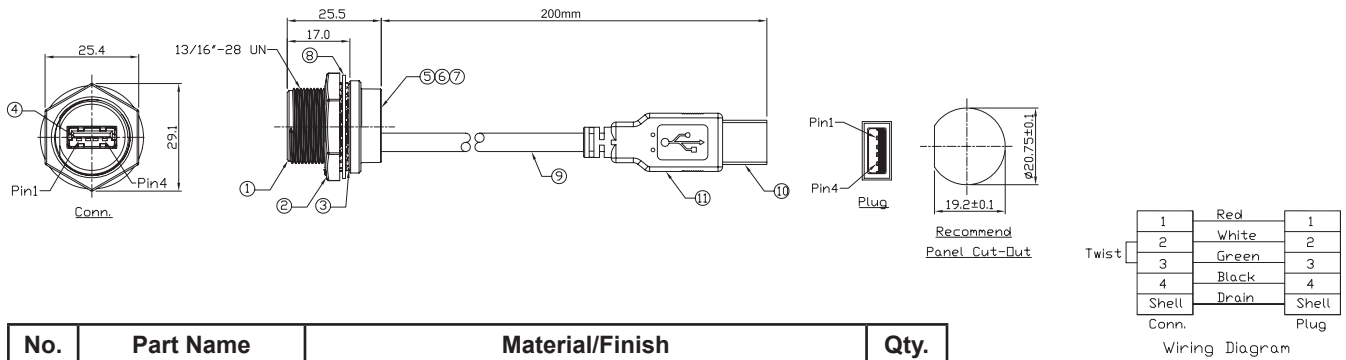
MP002430 USB-A Metal C3 Panel Jack Screw + USB-A Plug with cable



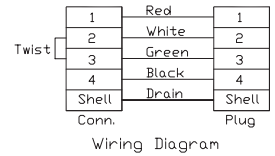
Specifications

IP Rating : IP68
 Recommend Panel Thickness : 0.8mm to 6mm
 Recommend Torque : 19 to 20Kgf-cm

Diagram



No.	Part Name	Material/Finish	Qty.
1	Housing	Zn Alloy; Finish: Ni Plated	1
2	Hex Nut	Zn Alloy; Finish: Ni Plated	
3	O-Ring	Silicone; Colour: Red	
4	USB-A Receptacle	Housing: Thermoplastic, Colour: Black Contacts: Copper Alloy, Finish: Au Plated Shell: Copper Alloy, Finish: Ni Plated	
5	PCB	FR-4; Colour: Green	1
6	Glue	Epoxy; Colour: Black	
7	EMI Shielded Plate	Copper; Finish: Ni plated	
8	Metal Washer	SUS; Finish: -	
9	Cable	UL2725 1P×28AWG+2C×24AWG+AI/My+D+B OD=5mm, Colour: Black	
10	USB-A Plug	Housing: Thermoplastic, Colour: Black Contacts: Copper Alloy, Finish: Au Plated Shell: Cold Roll Steel, Finish: Ni Plated	
11	Over Mold	PVC; Colour: Black	



Dimensions : Millimetres

USB Type A Connector, Adapter and Dust Cap

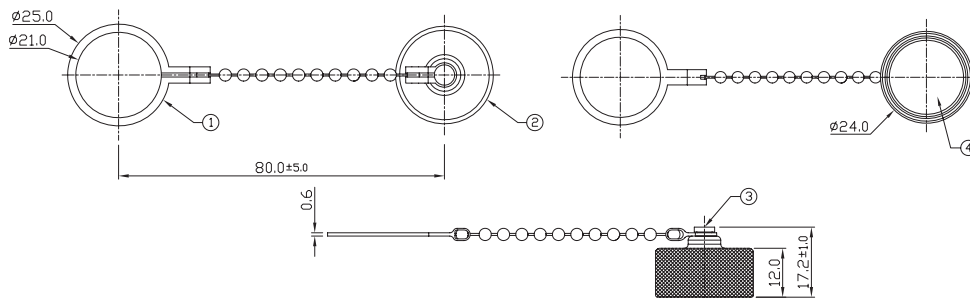
Dust Cap with Chain, Metal, C3 Screw Panel Mount Connector

MP002441



Specification

IP Rating : IP68



No.	Part Name	Material / Finish	Qty.
1	Metal Chain	SUS 304	1
2	Metal Screw Cap.	Copper Alloy Finish: Ni Plated	1
3	Metal Rivet	Copper Alloy Finish: Ni Plated	1
4	Rubber Pad	Silicone Colour: Black	1

Dimensions : Millimetres

Part Number Table

Description	Part Number
USB Type A Sealed Connector, C3 Panel Mount, IP68	MP002428
USB Adapter, USB Type A Jack to USB Type A Jack, Metal, C3 Panel Mount, IP68	MP002429
USB-A Metal C3 Panel Jack Screw & USB-A Plug with cable, IP68, 200mm	MP002430
Dust Cap with Chain, Metal, C3 Screw Panel Mount Connector, IP68	MP002441

Important Notice : This data sheet and its contents (the "Information") belong to the members of the AVNET group of companies (the "Group") or are licensed to it. No licence is granted for the use of it other than for information purposes in connection with the products to which it relates. No licence of any intellectual property rights is granted. The Information is subject to change without notice and replaces all data sheets previously supplied. The Information supplied is believed to be accurate but the Group assumes no responsibility for its accuracy or completeness, any error in or omission from it or for any use made of it. Users of this data sheet should check for themselves the Information and the suitability of the products for their purpose and not make any assumptions based on information included or omitted. Liability for loss or damage resulting from any reliance on the Information or use of it (including liability resulting from negligence or where the Group was aware of the possibility of such loss or damage arising) is excluded. This will not operate to limit or restrict the Group's liability for death or personal injury resulting from its negligence. Multicomp Pro is the registered trademark of Premier Farnell Limited 2019.