

# Inductive Proximity Sensor - 40mm Square Plastic Housing **multicomp** PRO

**RoHS  
Compliant**



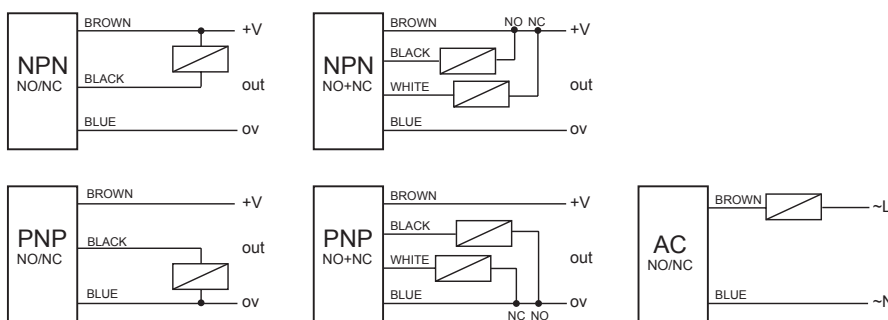
## Features

- Inductive sensor, style: squared shape, 40mm × 40mm × 120mm
- Mounting distance: 25mm shielded
- With LED operation indicate lamp, easily identifiable
- Standard sensing object: ferrous metals
- Protection rate: IP67, water resistant
- Over-current and short circuit protection; against polarity reversal.
- Widely applied in measuring, Counting, Rpm measuring in mechanism, chemical, paper manufacture light industry, etc.

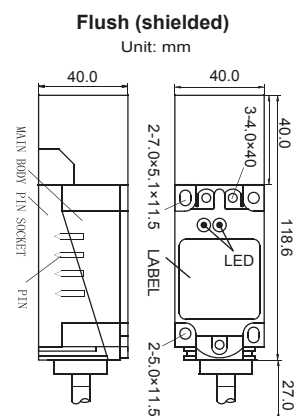
## Specifications

Mounting Distance	: 25mm shielded
Sensing Distance	: 22.5mm shielded
Power Supply	: 10V DC to 30V DC / 90V AC to 250V AC
Frequency	: 150Hz/75Hz (DC 3/2 wires) / 20Hz (AC 2 wires)
Current Output (DC/AC)	: 200mA / 300mA
Ambient Temperature	: -20°C to 70°C
Against Polarity Reversal	: Yes
Short Circuit Protected	: 3 wires: Yes / 2 wires: No
IP Rating	: IP67

## Electrical Connection



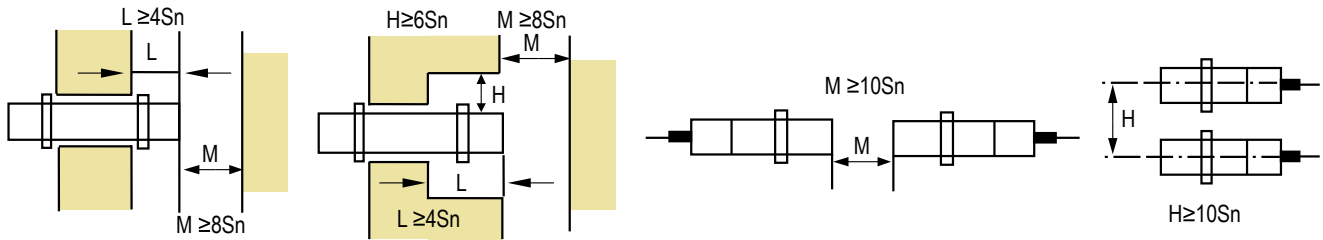
## Picture of Product



# Inductive Proximity Sensor - 40mm Square Plastic Housing **multicomp** PRO

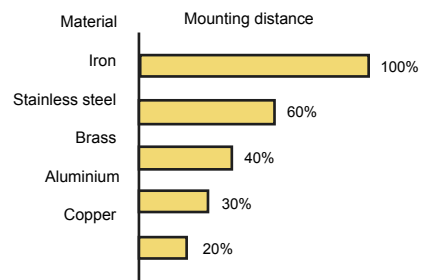
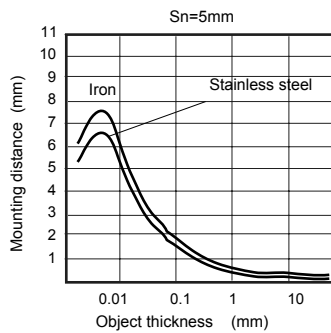
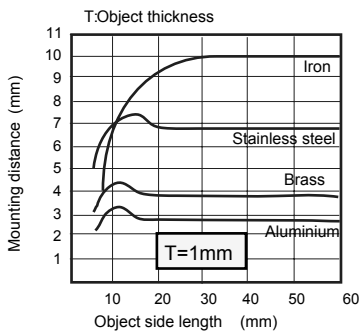
## Installation

If used in an area surrounded by metal, Install the proximity Sensor as follows . (Sn = Sensing distance)

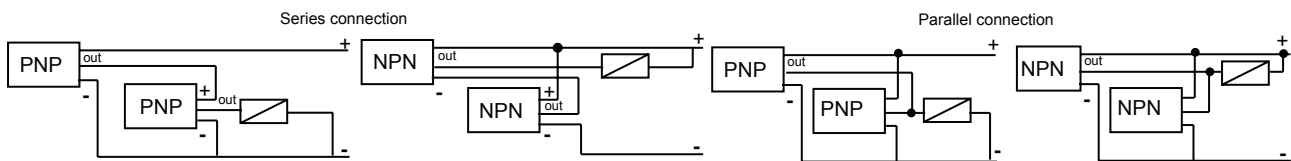


## Inductive Proximity Application Direction

- A. Set mounting distance equal to 80% of Sn.
- B. Set mounting distance roughly equal to 50% of Sn when sensor is used measuring mounting frequency or operating in high speed circumstances.
- C. Mounting distance will change depending on material (iron, stainless steel, brass, copper and aluminium).



## D. Inductive Proximity series connection and parallel connection



# Inductive Proximity Sensor - 40mm Square Plastic Housing **multicomp**<sup>PRO</sup>

## Part Number Table

Part Number	Output Type	Mounting Distance	Current Output	Power Supply	Wire Connector
MP002259	NPN NO	25mm Shielded	200mA	10V DC to 30V DC	3 Wire
MP002260	NPN NC				4 Wire
MP002261	NPN NO + NC				4 Wire
MP002262	PNP NO				3 Wire
MP002263	PNP NC				4 Wire
MP002264	PNP NO + NC				4 Wire
MP002265	AC NO		300mA	90V AC to 250V AC	2 Wire
MP002266	AC NC				

**Important Notice :** This data sheet and its contents (the "Information") belong to the members of the AVNET group of companies (the "Group") or are licensed to it. No licence is granted for the use of it other than for information purposes in connection with the products to which it relates. No licence of any intellectual property rights is granted. The Information is subject to change without notice and replaces all data sheets previously supplied. The Information supplied is believed to be accurate but the Group assumes no responsibility for its accuracy or completeness, any error in or omission from it or for any use made of it. Users of this data sheet should check for themselves the Information and the suitability of the products for their purpose and not make any assumptions based on information included or omitted. Liability for loss or damage resulting from any reliance on the Information or use of it (including liability resulting from negligence or where the Group was aware of the possibility of such loss or damage arising) is excluded. This will not operate to limit or restrict the Group's liability for death or personal injury resulting from its negligence. Multicomp Pro is the registered trademark of Premier Farnell Limited 2019.

Newark.com/multicomp-pro  
Farnell.com/multicomp-pro  
Element14.com/multicomp-pro

**multicomp**<sup>PRO</sup>