

DLW5ATZ231TQ2#

“#” indicates a package specification code.

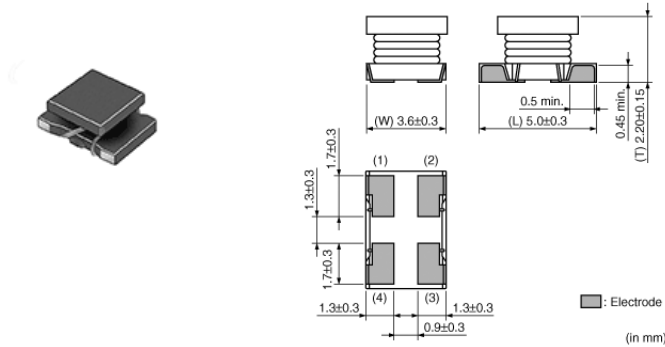


< List of part numbers with package codes >

DLW5ATZ231TQ2K DLW5ATZ231TQ2L DLW5ATZ231TQ2B

Appearance & Shape

Features



Low profile (h=2.35mm) chip common mode choke coil.
Suitable for noise suppression at DC power lines.

Features

1. Low profile (h=2.35mm)
2. Small size (5.0x3.6mm)
3. Large Current Available (1.5A to 4A)
4. Operating Temperature Range -40°C to +105°C

Applications

| | |
|------------------|--------------|
| Automotive Usage | Infotainment |
|------------------|--------------|

Packaging Information

| Packaging | Specifications | Minimum Order Quantity |
|-----------|---------------------|------------------------|
| K | 330mm Embossed Tape | 2500 |
| L | 180mm Embossed Tape | 700 |
| B | Bulk(Bag) | 100 |

Attention

1. This datasheet is downloaded from the website of Murata Manufacturing Co., Ltd. Therefore, its specifications are subject to change or our products in it may be discontinued without advance notice. Please check with our sales representatives or product engineers before ordering.
2. This datasheet has only typical specifications because there is no space for detailed specifications. Therefore, please review our product specifications or consult the approval sheet for product specifications before ordering.

DLW5ATZ231TQ2#

“#” indicates a package specification code.



Specifications

| | | | |
|---|---------|--|----------------|
| Shape | SMD | DC Resistance | 0.027Ω max. |
| Size Code (in mm) | 5036 | Insulation Resistance(min.) | 10MΩ |
| Size Code (in inch) | 2014 | Operating Temperature Range | -40°C to 105°C |
| Length | 5.0mm | Mass(typ.) | 0.14g |
| Length Tolerance | ±0.3mm | Number of Circuit | 1 |
| Width | 3.6mm | Operating Temperature Range(Self-temperature rise is included) | No |
| Width Tolerance | ±0.3mm | | |
| Thickness | 2.2mm | | |
| Thickness Tolerance | ±0.15mm | | |
| Common Mode Impedance (at 100MHz) | 230Ω | | |
| Common Mode Impedance (at 100MHz) Tolerance | (Typ.) | | |
| Common Mode Impedance (at 10MHz) | 22Ω | | |
| Common Mode Impedance (at 10MHz) Tolerance | ±25% | | |
| Rated Current | 2.5A | | |
| Rated Voltage | 50Vdc | | |
| Withstanding Voltage | 125Vdc | | |
| DC Resistance(max.) | 0.027Ω | | |

Attention

1.This datasheet is downloaded from the website of Murata Manufacturing Co., Ltd. Therefore, it's specifications are subject to change or our products in it may be discontinued without advance notice. Please check with our sales representatives or product engineers before ordering.

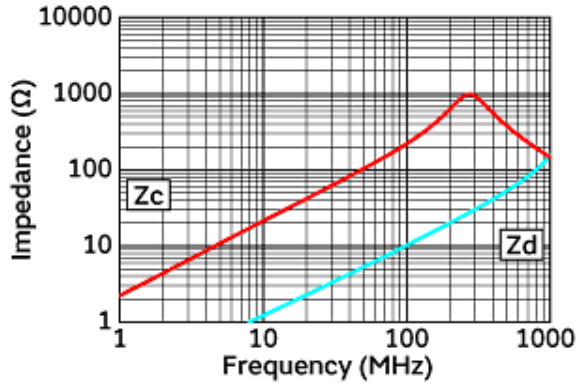
2.This datasheet has only typical specifications because there is no space for detailed specifications.

Therefore, please review our product specifications or consult the approval sheet for product specifications before ordering.

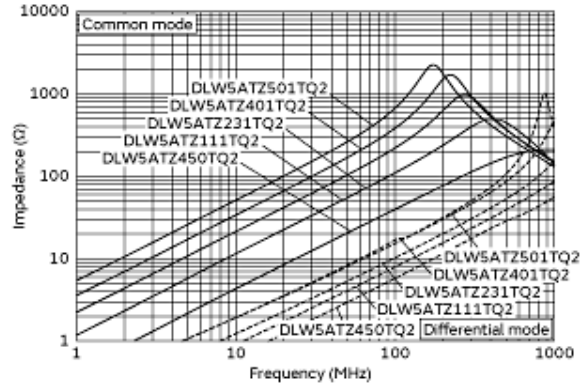
DLW5ATZ231TQ2#

“#” indicates a package specification code.

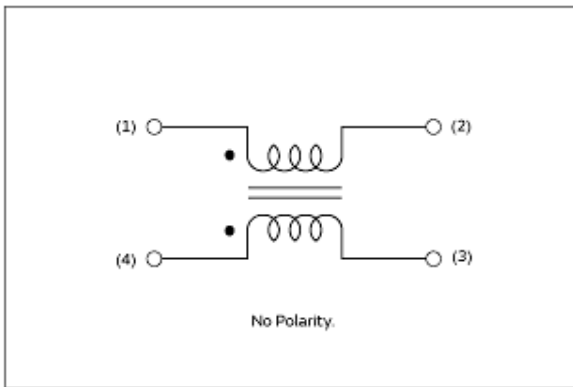
Product Data



Impedance-Frequency Characteristics



Impedance-Frequency Characteristics (Main Items)



Equivalent Circuit

Attention

- 1.This datasheet is downloaded from the website of Murata Manufacturing Co., Ltd. Therefore, it's specifications are subject to change or our products in it may be discontinued without advance notice. Please check with our sales representatives or product engineers before ordering.
- 2.This datasheet has only typical specifications because there is no space for detailed specifications. Therefore, please review our product specifications or consult the approval sheet for product specifications before ordering.