

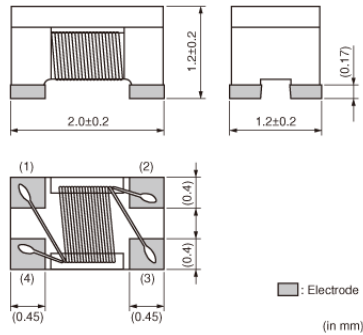
DLW21SN491XQ2#

“#” indicates a package specification code.



< List of part numbers with package codes >
DLW21SN491XQ2L DLW21SN491XQ2B

Appearance & Shape



Features

1. Small size and low profile (2.0x1.2x1.2mm).
2. 3 types of common mode impedance 180Ω, 260Ω, 490Ω [at 100MHz] line up for various circuits. (DLW21SN_XQ2/DLW21SZ_XQ2 series)
3. The matching the characteristic impedance Enables noise suppression for differential signal line without distortion in high-speed signal transmission.
4. Small dimension enables higher density mounting.

Applications

Common mode noise suppression of signal lines in high speed and high density digital equipment such as PCs and peripherals and telecommunications equipment.

Applications

| | |
|-------------|-------------|
| Other Usage | For general |
|-------------|-------------|

Packaging Information

| Packaging | Specifications | Minimum Order Quantity |
|-----------|---------------------|------------------------|
| L | 180mm Embossed Tape | 2000 |
| B | Bulk(Bag) | 500 |

Attention

1. This datasheet is downloaded from the website of Murata Manufacturing Co., Ltd. Therefore, its specifications are subject to change or our products in it may be discontinued without advance notice. Please check with our sales representatives or product engineers before ordering.
2. This datasheet has only typical specifications because there is no space for detailed specifications. Therefore, please review our product specifications or consult the approval sheet for product specifications before ordering.

DLW21SN491XQ2#

“#” indicates a package specification code.



Specifications

| | | | |
|---------------------------------------------|------------|----------------------------------------------------------------|---------------|
| Shape | SMD | Operating Temperature Range | -40°C to 85°C |
| Size Code (in mm) | 2012 | Mass(typ.) | 0.011g |
| Size Code (in inch) | 0805 | Number of Circuit | 1 |
| Length | 2.0mm | Operating Temperature Range(Self-temperature rise is included) | No |
| Length Tolerance | ±0.2mm | | |
| Width | 1.2mm | | |
| Width Tolerance | ±0.2mm | | |
| Thickness | 1.2mm | | |
| Thickness Tolerance | ±0.2mm | | |
| Common Mode Impedance (at 100MHz) | 490Ω | | |
| Common Mode Impedance (at 100MHz) Tolerance | ±25% | | |
| Rated Current | 190mA | | |
| Rated Voltage | 20Vdc | | |
| Withstanding Voltage | 50Vdc | | |
| DC Resistance(max.) | 0.77Ω | | |
| DC Resistance | 0.77Ω max. | | |
| Insulation Resistance(min.) | 10MΩ | | |

Attention

1.This datasheet is downloaded from the website of Murata Manufacturing Co., Ltd. Therefore, it's specifications are subject to change or our products in it may be discontinued without advance notice. Please check with our sales representatives or product engineers before ordering.

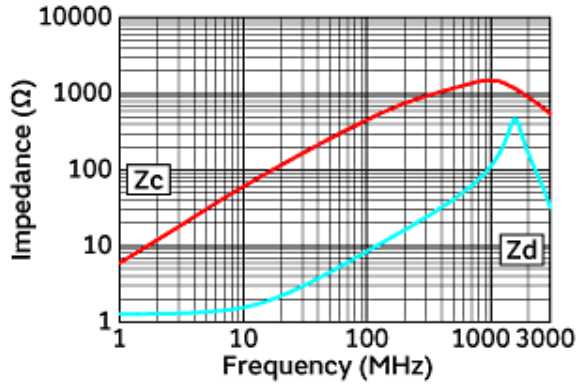
2.This datasheet has only typical specifications because there is no space for detailed specifications.

Therefore, please review our product specifications or consult the approval sheet for product specifications before ordering.

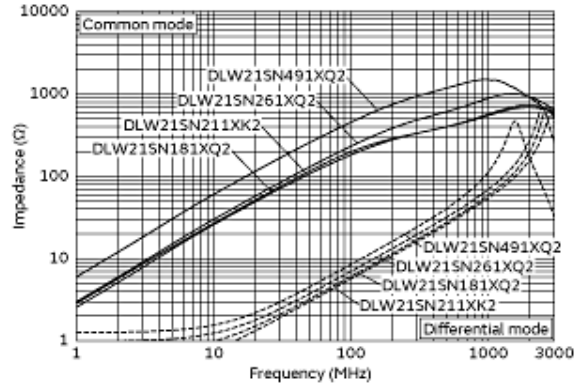
DLW21SN491XQ2#

“#” indicates a package specification code.

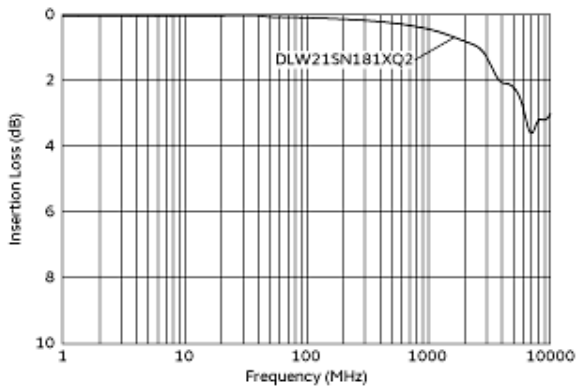
Product Data



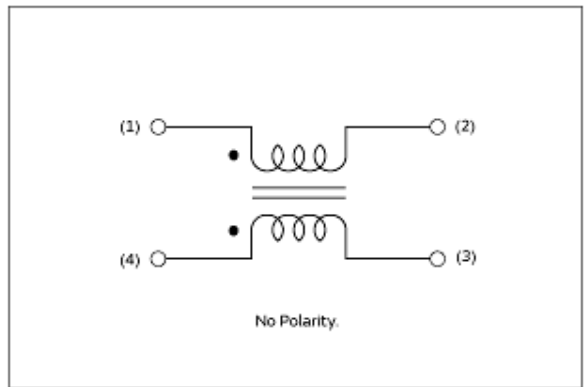
Impedance-Frequency Characteristics



Impedance-Frequency Characteristics (Main Items)



Differential Mode Transmission Characteristics (Typical Value)



Equivalent Circuit

Attention

1. This datasheet is downloaded from the website of Murata Manufacturing Co., Ltd. Therefore, its specifications are subject to change or our products in it may be discontinued without advance notice. Please check with our sales representatives or product engineers before ordering.
2. This datasheet has only typical specifications because there is no space for detailed specifications. Therefore, please review our product specifications or consult the approval sheet for product specifications before ordering.