

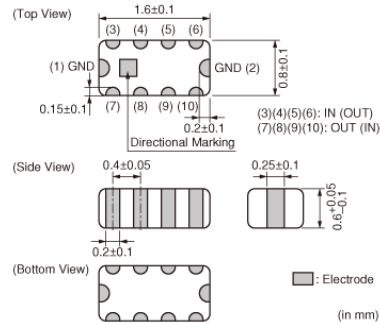
NFA18SD207X1A45#

“#” indicates a package specification code.



< List of part numbers with package codes >
NFA18SD207X1A45B NFA18SD207X1A45L

Appearance & Shape



Features

1. NFA18SD series is LC combined noise suppression filter whose noise suppression curve is very steep and deep in spite of its small shape.
2. This product has additional function as common mode choke coil. It works as a common mode choke coil at low frequency range, also works as a LC filter at high frequency range. This combination results good noise suppression effect without the affection to differential signal waveform.
3. This product has good noise suppression effect from 470MHz (for digital TV) to 2GHz. (for mobile phone) This function improves the sensibility of digital TVs or mobile phones.
4. Four circuits are built in 1.6x0.8mm chip size, it saves the large amount of mounting space.

Applications

Other Usage	For general
-------------	-------------

- Application
- Noise suppression of differential signal
- Noise suppression of LCD signal lines, camera module lines.

Packaging Information

Packaging	Specifications	Minimum Order Quantity
B	Bulk(Bag)	1000
L	180mm Embossed Tape	4000

Attention
1.This datasheet is downloaded from the website of Murata Manufacturing Co., Ltd. Therefore, it's specifications are subject to change or our products in it may be discontinued without advance notice. Please check with our sales representatives or product engineers before ordering.
2.This datasheet has only typical specifications because there is no space for detailed specifications.
Therefore, please review our product specifications or consult the approval sheet for product specifications before ordering.

NFA18SD207X1A45#

“#” indicates a package specification code.

Specifications

Shape	SMD	Insertion Loss	6dB max.(at Cut-off Frequency) 13dB min.(at 500MHz) 20dB min.(at 900MHz) 20dB min.(at 1500MHz) 20dB min.(at 2000MHz)
Size Code (in mm)	1608		
Size Code (in inch)	0603		
Length	1.6mm		
Length Tolerance	±0.1mm		
Width	0.8mm		
Width Tolerance	±0.1mm		
Thickness	0.6mm		
Thickness Tolerance	+0.05/-0.1mm		
Rated Current	25mA		
Operating Temperature Range	-40°C to 85°C		
Mass(typ.)	0.004g		
Number of Circuit	4		
Rated Voltage	10Vdc		
Withstanding Voltage	30Vdc		
Insulation Resistance(min.)	1000MΩ		
Nominal Cut-off Frequency	200MHz		

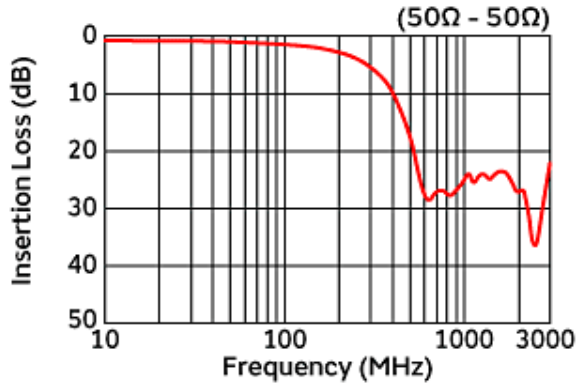
Attention

- 1.This datasheet is downloaded from the website of Murata Manufacturing Co., Ltd. Therefore, it's specifications are subject to change or our products in it may be discontinued without advance notice. Please check with our sales representatives or product engineers before ordering.
- 2.This datasheet has only typical specifications because there is no space for detailed specifications.
Therefore, please review our product specifications or consult the approval sheet for product specifications before ordering.

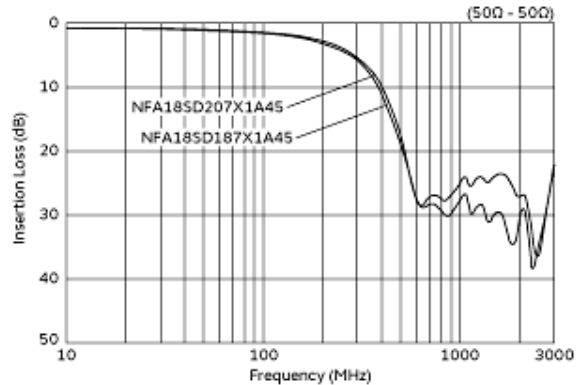
NFA18SD207X1A45#

"#" indicates a package specification code.

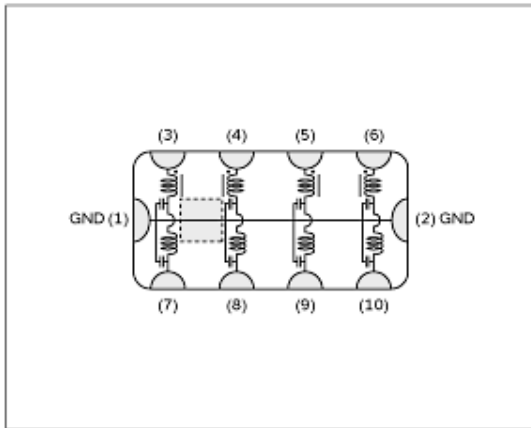
Product Data



Insertion Loss Characteristics



Insertion Loss Characteristics (Main Items)



Equivalent Circuit

Attention

- 1.This datasheet is downloaded from the website of Murata Manufacturing Co., Ltd. Therefore, it's specifications are subject to change or our products in it may be discontinued without advance notice. Please check with our sales representatives or product engineers before ordering.
- 2.This datasheet has only typical specifications because there is no space for detailed specifications.
Therefore, please review our product specifications or consult the approval sheet for product specifications before ordering.