

# DLW44SM401SK2#

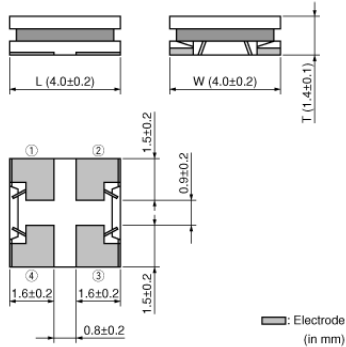
“#” indicates a package specification code.



< List of part numbers with package codes >

DLW44SM401SK2L DLW44SM401SK2B DLW44SM401SK2K

## Appearance & Shape



## Features

### Features

1. Low profile ( $h=1.5\text{mm max.}$ )
2. Small size ( $4.0 \times 4.0\text{mm}$ )
3. High rated current available ( $1.1\text{A to }3.1\text{A}$ )
4. High common mode Impedance ( $\text{max }2400\text{ohm, at }100\text{MHz}$ )

### Application

Noise suppression for power line

1. Power line equipment
  - DC/DC converter
  - battery charger
2. Portable equipment
  - PDA(Personal Digital Assistance)
  - note PC
  - printer
  - DVC

## Applications

|             |             |
|-------------|-------------|
| Other Usage | For general |
|-------------|-------------|

## Packaging Information

| Packaging | Specifications      | Minimum Order Quantity |
|-----------|---------------------|------------------------|
| L         | 180mm Embossed Tape | 1000                   |
| B         | Bulk(Bag)           | 100                    |
| K         | 330mm Embossed Tape | 3500                   |

### Attention

1. This datasheet is downloaded from the website of Murata Manufacturing Co., Ltd. Therefore, its specifications are subject to change or our products in it may be discontinued without advance notice. Please check with our sales representatives or product engineers before ordering.
2. This datasheet has only typical specifications because there is no space for detailed specifications. Therefore, please review our product specifications or consult the approval sheet for product specifications before ordering.

# DLW44SM401SK2#

“#” indicates a package specification code.



## Specifications

|   |        |  |                |
|---|--------|--|----------------|
| Shape                                       | SMD    | DC Resistance  | 0.030Ω±40%     |
| Size Code (in mm)                           | 4040   | Insulation Resistance(min.)                                    | 10MΩ           |
| Size Code (in inch)                         | 1515   | Operating Temperature Range                                    | -40°C to 105°C |
| Length                                      | 4.0mm  | Mass(typ.)   | 0.086g         |
| Length Tolerance                            | ±0.2mm | Number of Circuit  | 1              |
| Width                                       | 4.0mm  | Operating Temperature Range(Self-temperature rise is included) | No             |
| Width Tolerance                             | ±0.2mm |  |                |
| Thickness                                   | 1.4mm  |  |                |
| Thickness Tolerance                         | ±0.1mm |  |                |
| Common Mode Impedance (at 100MHz)           | 400Ω   |  |                |
| Common Mode Impedance (at 100MHz) Tolerance | (Typ.) |  |                |
| Common Mode Impedance (at 10MHz)            | 37.5Ω  |  |                |
| Common Mode Impedance (at 10MHz) Tolerance  | ±40%   |  |                |
| Rated Current                               | 2.1A   |  |                |
| Rated Voltage                               | 60Vdc  |  |                |
| Withstanding Voltage                        | 150Vdc |  |                |
| DC Resistance(max.)                         | 0.042Ω |  |                |

### Attention

1.This datasheet is downloaded from the website of Murata Manufacturing Co., Ltd. Therefore, it's specifications are subject to change or our products in it may be discontinued without advance notice. Please check with our sales representatives or product engineers before ordering.

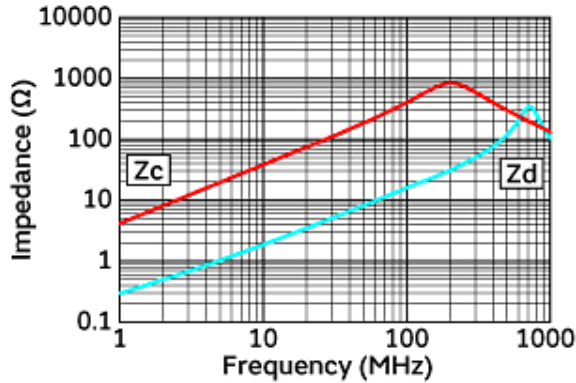
2.This datasheet has only typical specifications because there is no space for detailed specifications.

Therefore, please review our product specifications or consult the approval sheet for product specifications before ordering.

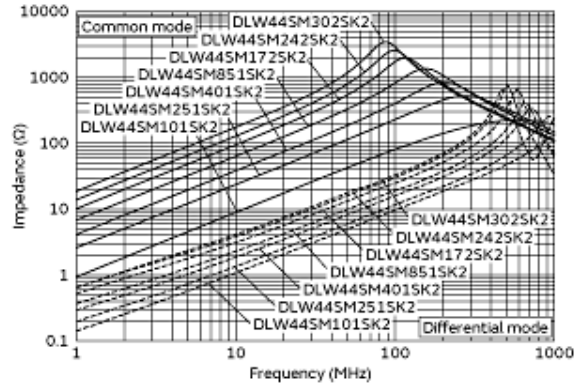
# DLW44SM401SK2#

“#” indicates a package specification code.

## Product Data



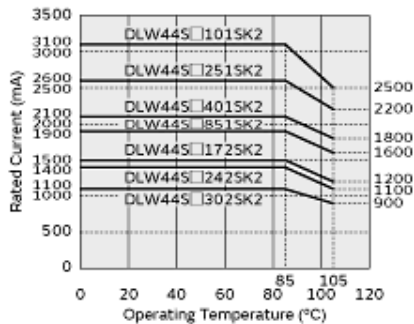
Impedance-Frequency Characteristics



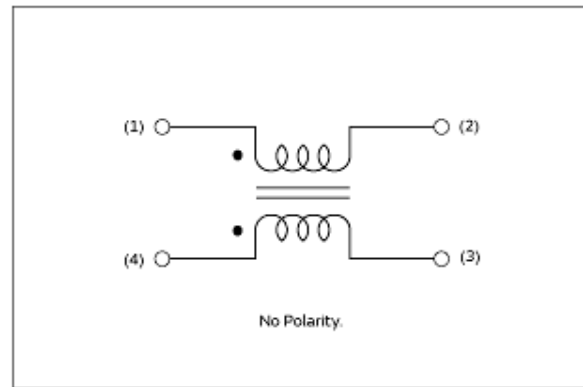
Impedance-Frequency Characteristics (Main Items)

In operating temperature exceeding +85°C, derating of current is necessary for DLW44S series. Please apply the derating curve shown in chart according to the operating temperature.

### Derating of Rated Current



Derating of Rated Current



Equivalent Circuit

### Attention

1. This datasheet is downloaded from the website of Murata Manufacturing Co., Ltd. Therefore, its specifications are subject to change or our products in it may be discontinued without advance notice. Please check with our sales representatives or product engineers before ordering.
2. This datasheet has only typical specifications because there is no space for detailed specifications. Therefore, please review our product specifications or consult the approval sheet for product specifications before ordering.