

Optocoupler module - UMK- 4 OM-R/MF/P - 2972673

Please be informed that the data shown in this PDF Document is generated from our Online Catalog. Please find the complete data in the user's documentation. Our General Terms of Use for Downloads are valid (<http://phoenixcontact.com/download>)

Interface module, with plug-in socket for 4 solid-state relays, with security latch, with screw connection, with light indicator and fuse, control logic: plus switching




Your advantages

- ✓ Status indicator
- ✓ Integrated fuse for line protection
- ✓ Can be fitted with solid-state relays or I/O modules



Key Commercial Data

Packing unit	1 pc
GTIN	 4 017918 088637
GTIN	4017918088637
Weight per Piece (excluding packing)	185.200 g
Custom tariff number	85369010
Country of origin	Germany

Technical data

Dimensions

Width	90 mm
Height	77 mm
Depth	72 mm

Ambient conditions

Ambient temperature (operation)	-20 °C ... 55 °C
Ambient temperature (storage/transport)	-20 °C ... 70 °C

Input data

Typical input current at U_N	30 mA (Optocoupler dependent)
Operating voltage display	Yellow LED

Optocoupler module - UMK- 4 OM-R/MF/P - 2972673

Technical data

Input data

Status display/channel	Yellow LED
------------------------	------------

Output data

Limiting continuous current	4 A
Error detection (line break / short-circuit)	no

General

No. of channels	4
Compatible components	Digital I/O modules
With components	no
Mounting position	any
Assembly instructions	In rows with zero spacing
Housing insulation material	PVC, side panel PA non-reinforced,
Color	green

Connection data

Connection name	Input
Connection method	Screw connection
Stripping length	8 mm
Screw thread	M3
Number of connections	2
Number of positions	6
Conductor cross section solid	0.2 mm ² ... 4 mm ²
Conductor cross section flexible	0.2 mm ² ... 2.5 mm ²
Conductor cross section AWG	24 ... 12

Connection data 2

Connection name	Output
Connection method	Screw connection
Stripping length	8 mm
Screw thread	M3
Number of connections	8
Number of positions	6
Conductor cross section solid	0.2 mm ² ... 6 mm ²
Conductor cross section flexible	0.2 mm ² ... 4 mm ²
Conductor cross section AWG	24 ... 10

Standards and Regulations

Connection in acc. with standard	CUL
Standards/regulations	DIN VDE 0110b, Gr. C for 250 V DC
	DIN VDE 0160 (in relevant parts)

Environmental Product Compliance

	Lead 7439-92-1
--	----------------

Optocoupler module - UMK- 4 OM-R/MF/P - 2972673

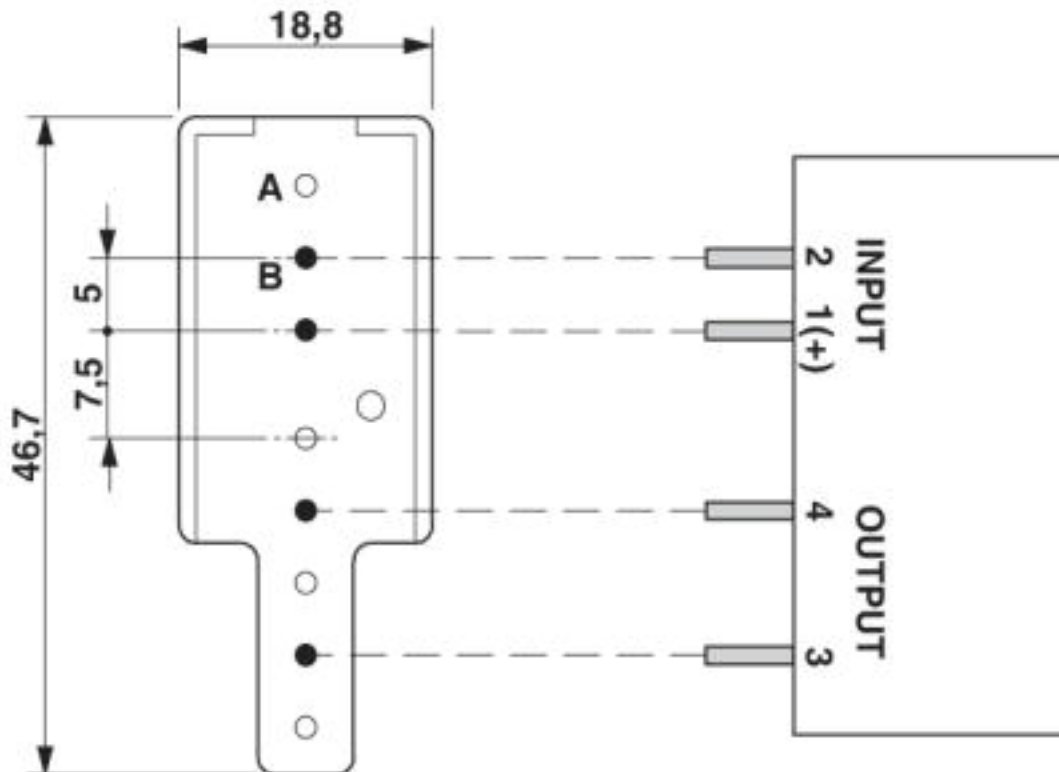
Technical data

Environmental Product Compliance

China RoHS	Environmentally Friendly Use Period = 50
	For details about hazardous substances go to tab "Downloads", Category "Manufacturer's declaration"

Drawings

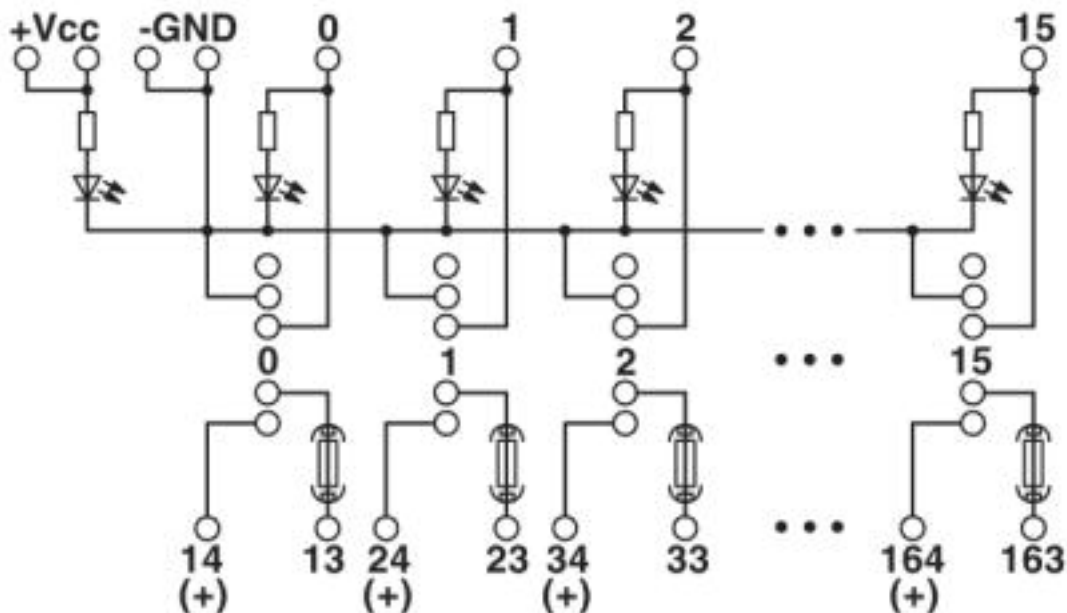
Dimensional drawing



A = without metal
B = with metal

Optocoupler module - UMK- 4 OM-R/MF/P - 2972673

Circuit diagram



Classifications

eCl@ss

eCl@ss 4.0	27371100
eCl@ss 4.1	27371100
eCl@ss 5.0	27371600
eCl@ss 5.1	27371000
eCl@ss 6.0	27371600
eCl@ss 7.0	27371603
eCl@ss 8.0	27371603
eCl@ss 9.0	27371603

ETIM

ETIM 2.0	EC001456
ETIM 3.0	EC001456
ETIM 4.0	EC001456
ETIM 5.0	EC001456
ETIM 6.0	EC001456
ETIM 7.0	EC001456

UNSPSC

UNSPSC 6.01	30211916
UNSPSC 7.0901	39121542
UNSPSC 11	39121542
UNSPSC 12.01	39121542

Optocoupler module - UMK- 4 OM-R/MF/P - 2972673

Classifications

UNSPSC

UNSPSC 13.2	39122326
UNSPSC 18.0	39122335
UNSPSC 19.0	39122335
UNSPSC 20.0	39122335
UNSPSC 21.0	39122335

Approvals

Approvals

Approvals

UL Recognized / cUL Recognized / EAC / cULus Recognized

Ex Approvals

Approval details

UL Recognized		http://database.ul.com/cgi-bin/XYV/template/LISEXT/1FRAME/index.htm	FILE E 238705
---------------	--	---	---------------

cUL Recognized		http://database.ul.com/cgi-bin/XYV/template/LISEXT/1FRAME/index.htm	FILE E 238705
----------------	--	---	---------------

EAC			RU C- DE.A*30.B.01082
-----	--	--	--------------------------

cULus Recognized			
------------------	--	--	--

Accessories

Accessories

Fuse

Optocoupler module - UMK- 4 OM-R/MF/P - 2972673

Accessories

Fuse set - VF-SI/TR5/4AT - 2900998



Fuse set, number: 8 Pcs., fuse type: Fuse (TR5), nominal current: 4 A, tripping characteristic: slow-blow (T)

Necessary add-on products

Semi-conductor relay - OV-24DC/ 60DC/4 - 2982647



Solid-state relay, for signal amplification and isolation of the control and load circuits, can be plugged in the solderable plug-in bases SIM-AMS or with PCB connection for mounting directly onto the PCB, input: 4.25-32 V DC, output: 1-60 V DC/4 A