

## Support bracket - AB3/SS - 0800086


Please be informed that the data shown in this PDF Document is generated from our Online Catalog. Please find the complete data in the user's documentation. Our General Terms of Use for Downloads are valid (<http://phoenixcontact.com/download>)



Support bracket, material: PA, color: gray



### Key Commercial Data

Packing unit	10 pc
Minimum order quantity	10 pc
GTIN	 4 046356 613774
GTIN	4046356613774
Weight per Piece (excluding packing)	8.210 g
Custom tariff number	85472000
Country of origin	China

### Technical data

#### General

Color	gray
Components	free from silicone and halogen
Flammability rating according to UL 94	V0
Material	PA

#### Standards and Regulations

Flammability rating according to UL 94	V0
--	----

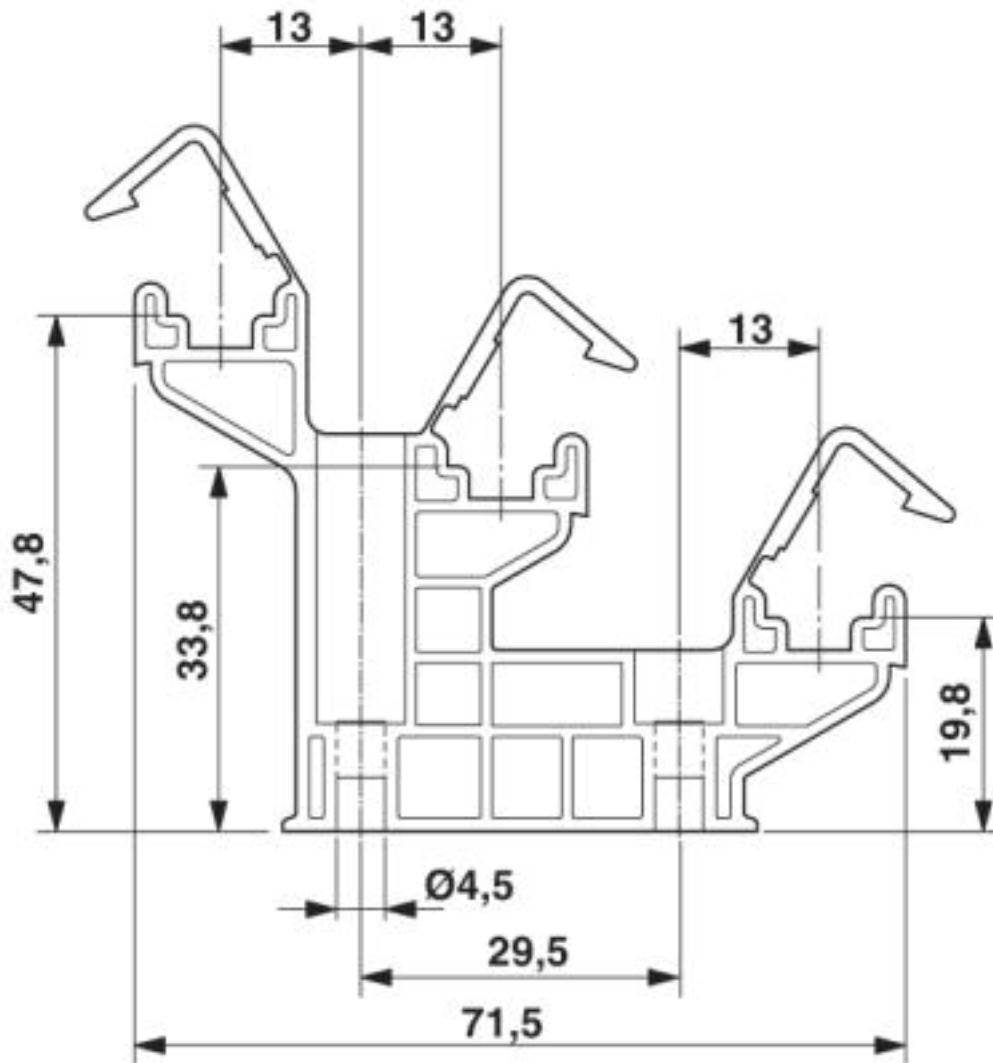
#### Environmental Product Compliance

China RoHS	Environmentally friendly use period: unlimited = EFUP-e
	No hazardous substances above threshold values

### Drawings

## Support bracket - AB3/SS - 0800086

Dimensional drawing



### Classifications

eCl@ss

eCl@ss 4.0	23150300
eCl@ss 4.1	23150300
eCl@ss 5.0	27141100
eCl@ss 5.1	27141100
eCl@ss 6.0	27409200
eCl@ss 7.0	27409221
eCl@ss 8.0	27400607
eCl@ss 9.0	27400607

## Support bracket - AB3/SS - 0800086

### Classifications

#### ETIM

ETIM 2.0	EC000761
ETIM 3.0	EC000761
ETIM 4.0	EC002270
ETIM 5.0	EC002270
ETIM 6.0	EC001166
ETIM 7.0	EC001166

#### UNSPSC

UNSPSC 6.01	30212109
UNSPSC 7.0901	39121708
UNSPSC 11	39121708
UNSPSC 12.01	39121708
UNSPSC 13.2	39121708
UNSPSC 18.0	39121708
UNSPSC 19.0	39121708
UNSPSC 20.0	39121708
UNSPSC 21.0	39121708