

PSM-EG-RS232/RS422-P/4K

Order No.: 2761266



<http://eshop.phoenixcontact.de/phoenix/treeViewClick.do?UID=2761266>

Interface converter, for converting RS-232 (V.24) to RS-422 (V.11), with electrical isolation, 4 channels, rail-mountable



<http://www.download.phoenixcontact.com>
Please note that the data given here has been taken from the online catalog. For comprehensive information and data, please refer to the user documentation. The General Terms and Conditions of Use apply to Internet downloads.

Commercial data

EAN	4017918064631
Pack	1 pcs.
Customs tariff	85176200
Weight/Piece	0.2913 KG
Catalog page information	Page 497 (IF-2009)

Technical data

Serial interface

Interface 1	RS-232 interface in acc. with ITU-T V.28, EIA/TIA-232, DIN 66259-1
Data rate	64 kBit/s
Type of connection	D-SUB-9 male connector Pluggable screw connection
Conductor cross section stranded min.	0.2 mm ²
Conductor cross section stranded max.	2.5 mm ²
Conductor cross section AWG/kcmil min.	24
Conductor cross section AWG/kcmil max	14

Serial transmission rate	64 kbps
Interface 2	RS-422 interface in acc. with ITU-T V.11, EIA/TIA-422, DIN 66348-1
Termination resistor	150 Ω receiver; pull up/down 510 Ω
Transmission length	1200 m (twisted pair)
Type of connection	D-SUB-15 male connector
	Pluggable screw connection
Conductor cross section stranded min.	0.2 mm ²
Conductor cross section stranded max.	2.5 mm ²
Conductor cross section AWG/kcmil min.	24
Conductor cross section AWG/kcmil max	14
Serial transmission rate	64 kbps

Power supply

Nominal supply voltage	24 V DC \pm 20 %
Typical current consumption	Approx. 130 mA

General data

Transmission channels	4 (2/2), RxD, TxD, RTS, CTS; full duplex
Bit delay	\leq 3 μ s
Bit distortion	\leq 5 %
Width	45 mm
Height	110 mm
Depth	75 mm
Ambient temperature (operation)	0 °C ... 50 °C
Electrical isolation	RS-232 // RS-422, supply // RS-422
Test voltage data interfaces	2.5 kV AC
Test voltage data interface/power supply	2.5 kV AC
Electromagnetic compatibility	Conformance with EMC directive 89/336/EEC
Emitted interference	EN 50 081-1
Immunity to interference	EN 50 082-2
Housing material	ABS
Color	green
UL, USA / Canada	cUL 508 Recognized

Certificates / Approvals

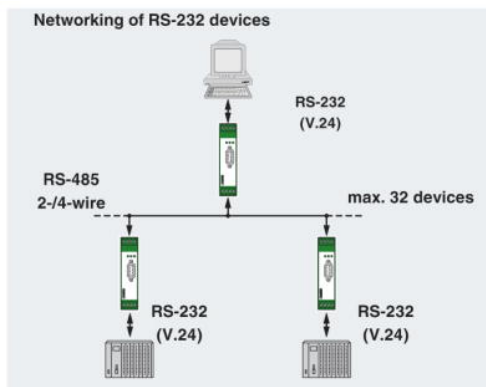
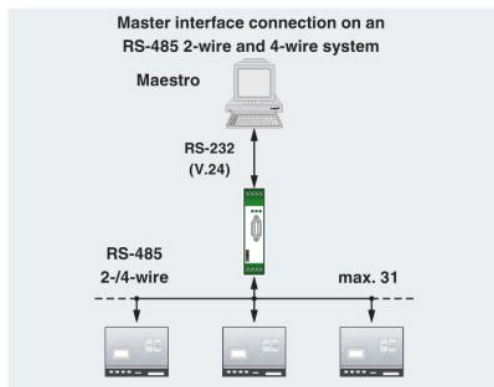
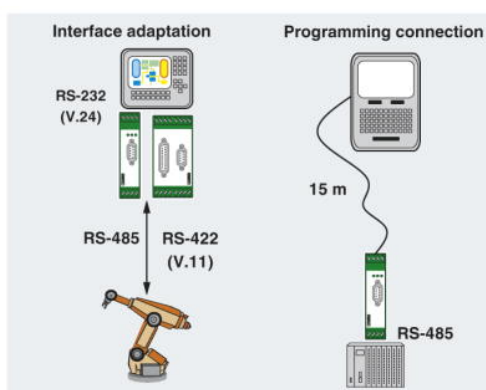
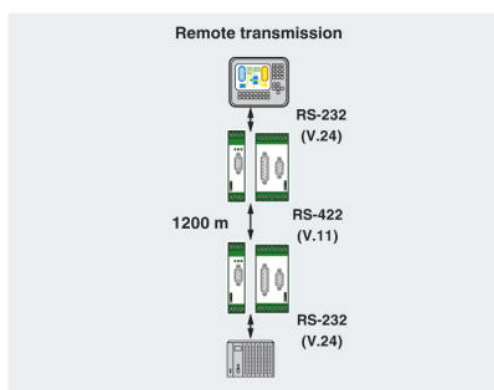


Certification

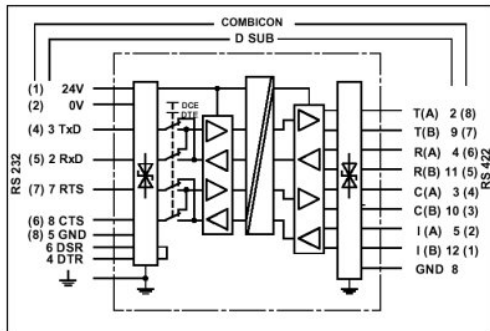
CUL, GOST, UL

Drawings

Application drawing



Circuit diagram



Address

PHOENIX CONTACT GmbH & Co. KG
Flachmarktstr. 8
32825 Blomberg, Germany
Phone +49 5235 3 00
Fax +49 5235 3 41200
<http://www.phoenixcontact.de>



© 2009 Phoenix Contact
Technical modifications reserved;