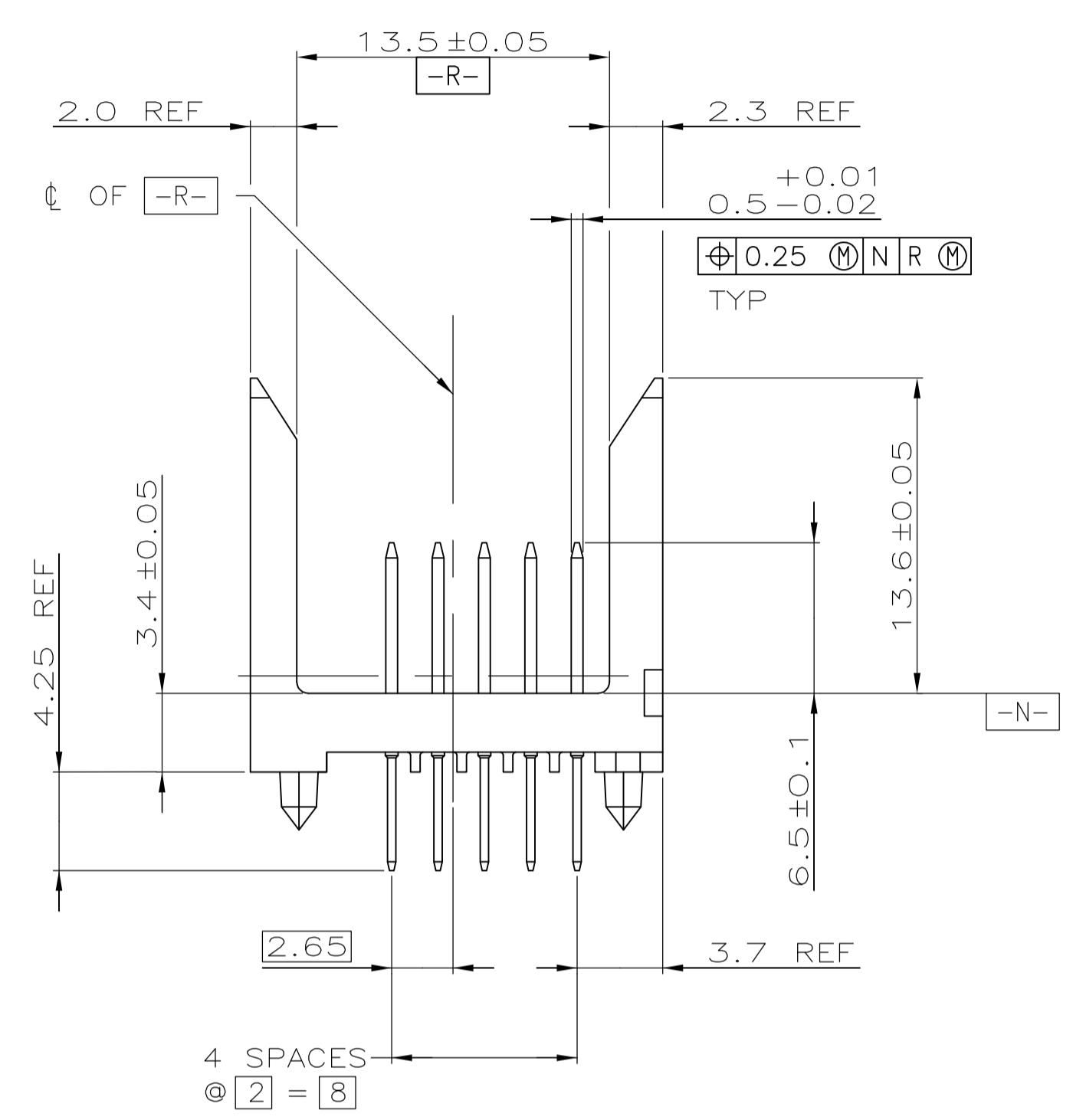
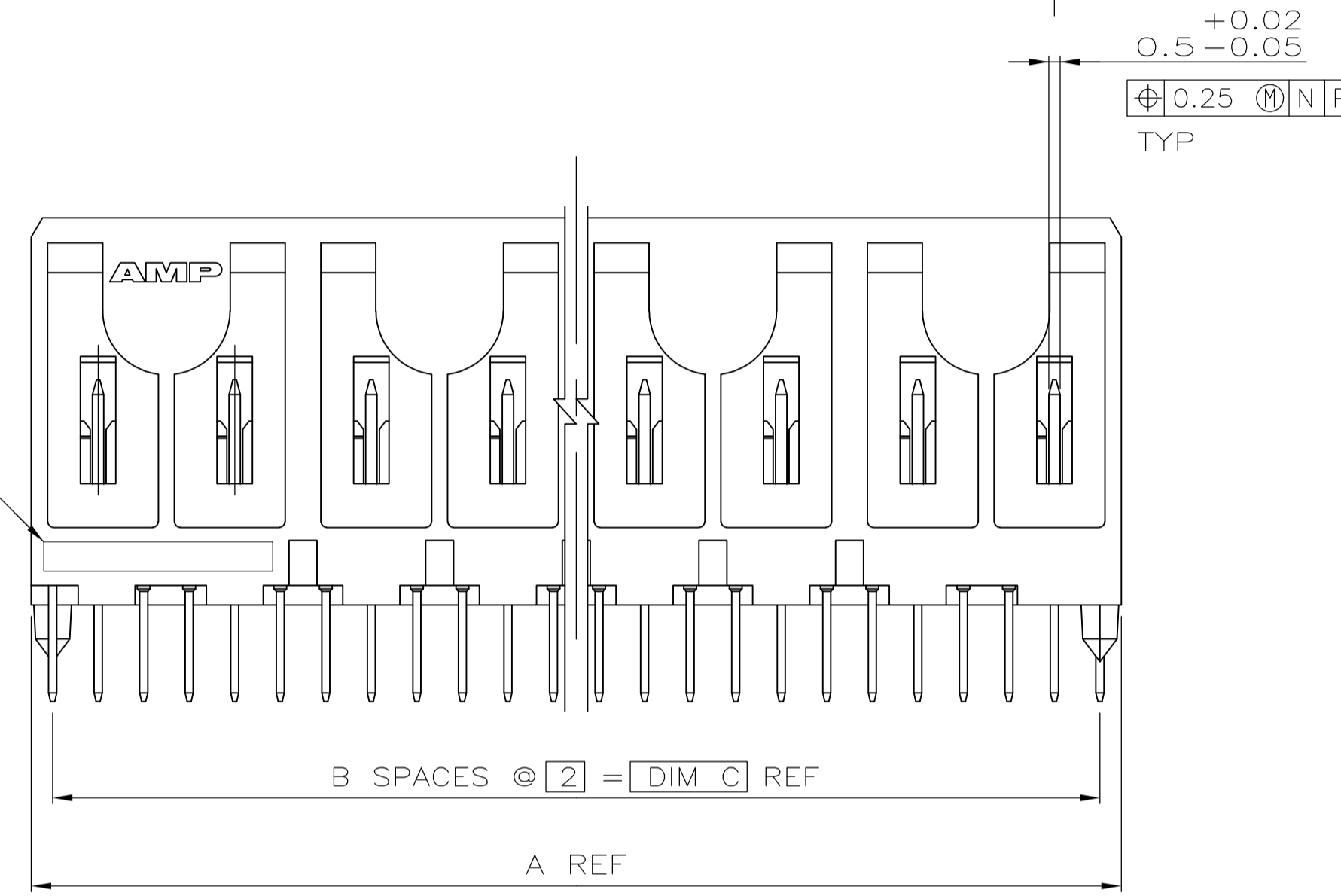
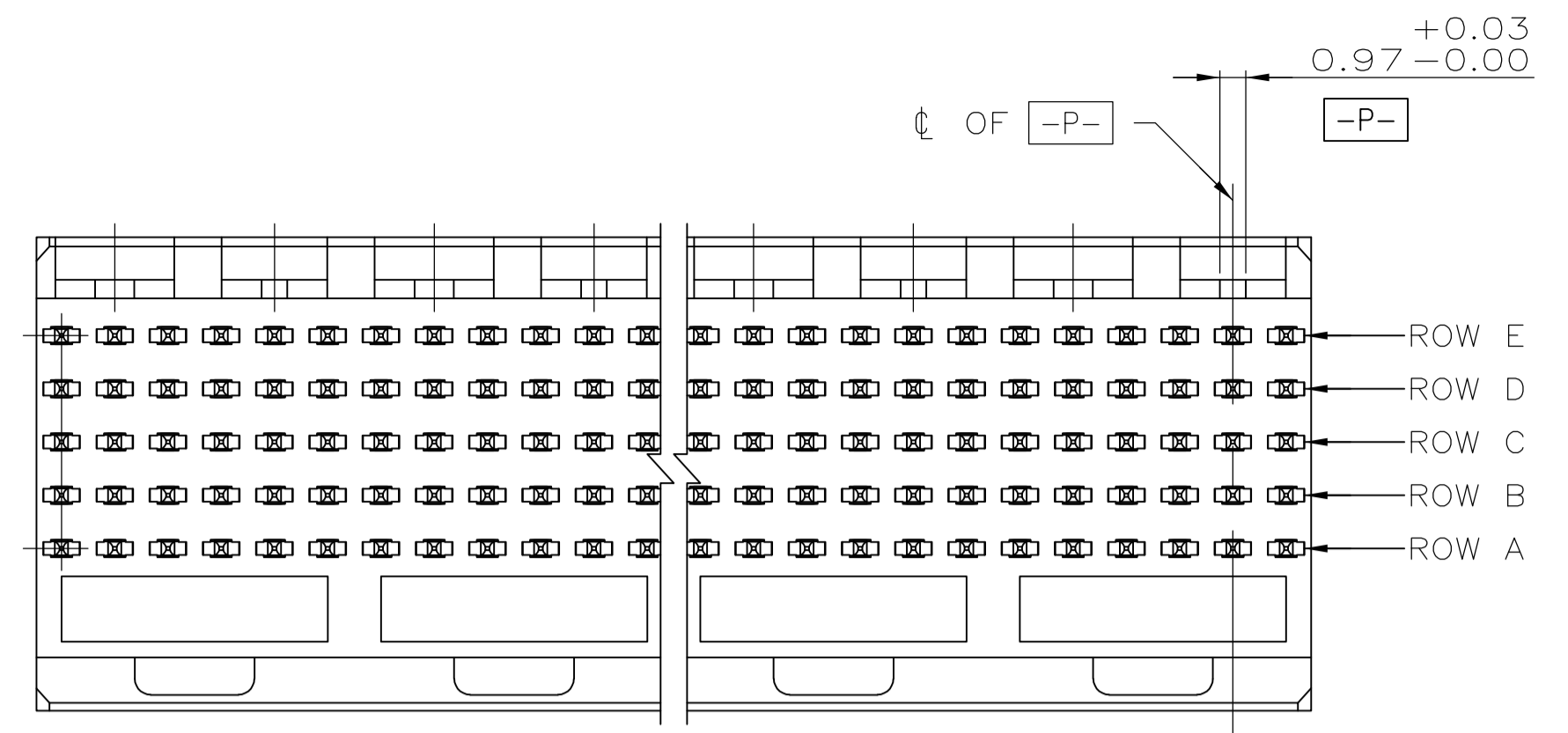
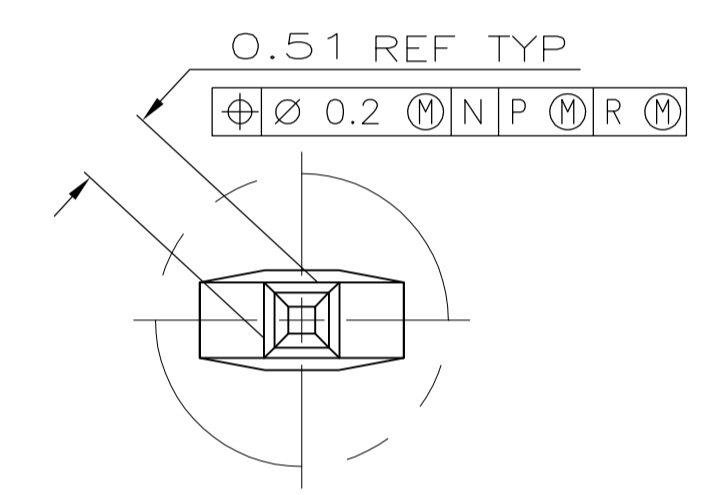


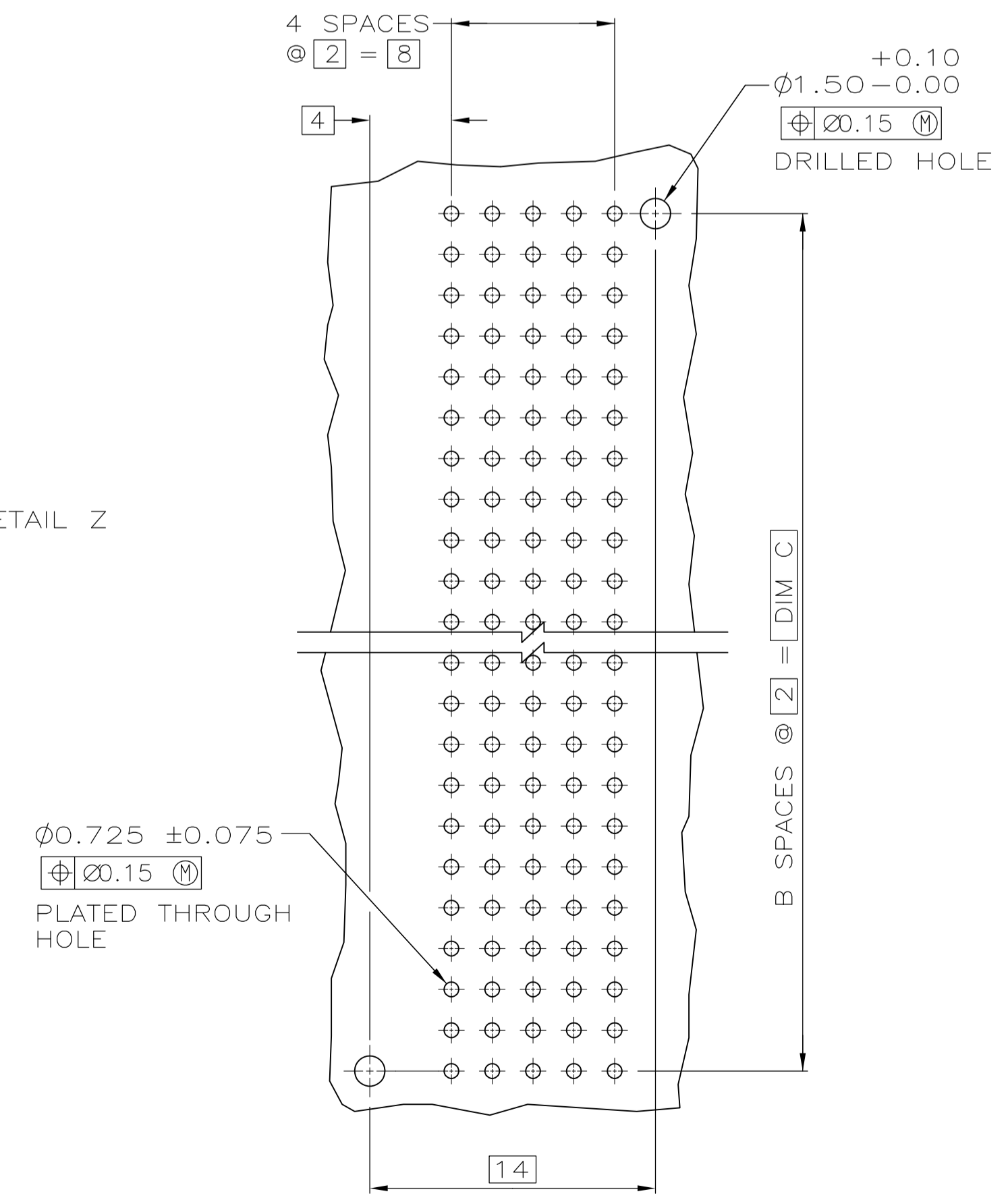
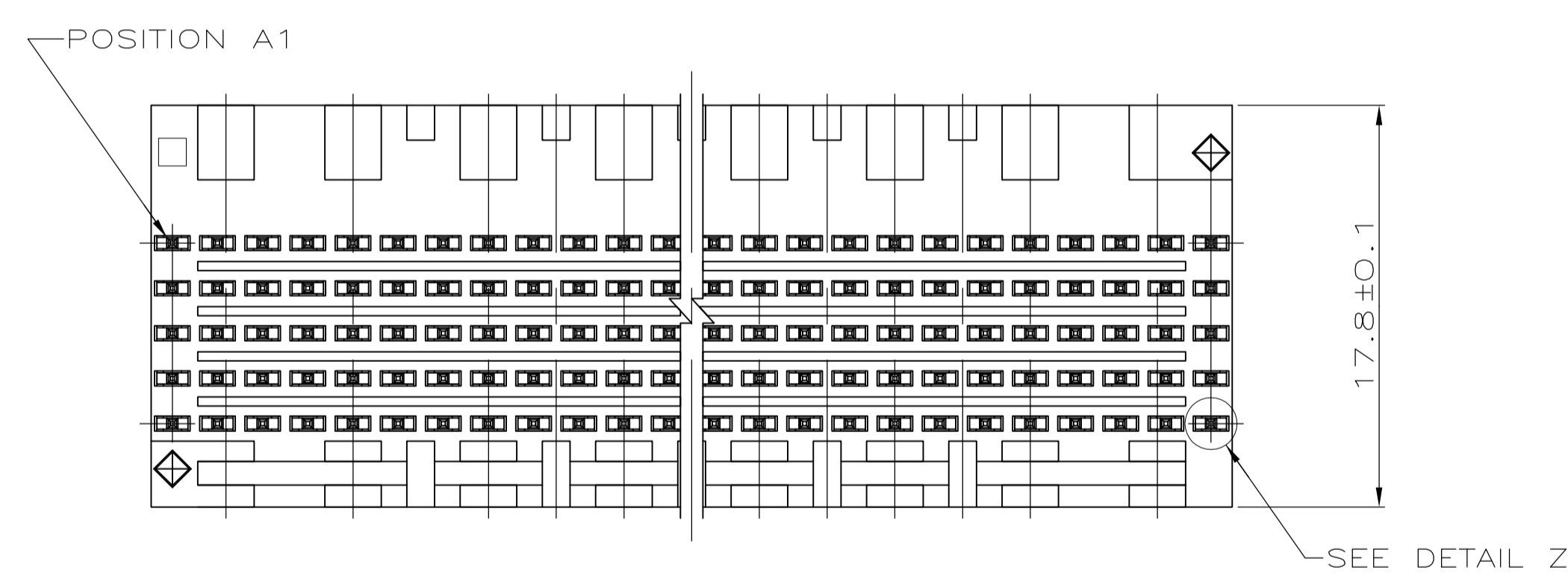
LOC		DIST		REVISIONS			
P	LTR	DESCRIPTION	DATE	DMN	APVD		
H		REVISED PER ECR-08-032448	19DEC2008	S.W	S.Y		
H1		REVISED PER ECO-09-021826	07JAN10	KK	AEG		



- 1 HOUSING MATERIAL: LIQUID CRYSTAL POLYMER
COLOR: NATURAL.
- 2 CONTACT MATERIAL: PHOSPHOR BRONZE
- 3 CONTACT FINISH:
UNDERPLATE (ENTIRE CONTACT):
0.00127 MIN NICKEL.
ON MATING SURFACES:
CONFORMS TO ALL TESTING SPECIFIED FOR TELCORDIA
UNCONTROLLED ENVIRONMENT.
ON LEADS
0.00381 MIN TIN-LEAD OVER UNDERPLATE.
LUBRICATION (ENTIRE CONTACT):
SURFACE CONDITIONER PER AMP SPEC 112-1002 AFTER PLATING.
- 4 PART MARKING LOCATED APPROXIMATELY AS SHOWN.
- 5 OBSOLETE PARTS: OBSOLETE CIS STREAMLINING
PER D.RENAUD/D.SINISI



DETAIL Z
SCALE 20:1



RECOMMENDED CIRCUIT PATTERN
(COMPONENT SIDE)

	C	B	A	FINISH	NO OF SIGNAL POSN	PART NUMBER
5 OBSOLETE	130	65	131.88	3	330	1-223000-1
OBSOLETE	118	59	119.88	3	300	1-223000-0
5 OBSOLETE	106	53	107.88	3	270	223000-9
5 SUPERSEDED BY 5223000-8	94	47	95.88	3	240	223000-8
5 OBSOLETE	82	41	83.88	3	210	223000-7
SUPERSEDED	70	35	71.88	3	180	223000-6
	58	29	59.88	3	150	223000-5
	46	23	47.88	3	120	223000-4
	34	17	35.88	3	90	223000-3
	22	11	23.88	3	60	223000-2
	10	5	11.88	3	30	223000-1

THIS DRAWING IS A CONTROLLED DOCUMENT.

DIMENSIONS: mm
 TOLERANCES UNLESS OTHERWISE SPECIFIED:
 0 PLC ± -
 1 PLC ± -
 2 PLC ± 0.13
 3 PLC ± -
 4 PLC ± -
 ANGLES ± -

MATERIAL: 1 2
 FINISH: 3

THIS DRAWING IS A CONTROLLED DOCUMENT.
 DIN R BUCHHEISTER 10/JAN/96
 CHK D BAECHTLE 11/JAN/96
 APVD D SINISI 11/JAN/96
 NAME: ASSEMBLY, PIN, SIGNAL, VERTICAL, Z-PACK 2mm FB, 5 ROW, SOLDER LEAD
 APPLICATION SPEC: -
 SIZE: A1
 CAGE CODE: 00779
 DRAWING NO: 223000
 WEIGHT: -
 CUSTOMER DRAWING: -
 SCALE: 4:1
 SHEET: 1 of 1
 REV: H1

Tyco Electronics Corporation
 Shanghai, P.R.China, 200233