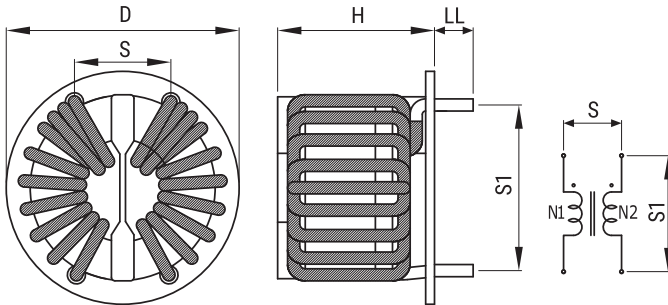


# SC-15-35JH

Aliases (UALSC1535JH000)

Common Mode Chokes - Power, KEMET, SC-JH, Through-Hole, Common Mode, 3,500 uH



Click [here](#) for the 3D model.

## General Information

|               |   |
|---------------|---|
| Series        | SC-JH                                       |
| Style         | Through-Hole                                |
| RoHS          | Yes   |
| Notes         | Lead Spacing (S/S1) Are For Reference Only. |
| Miscellaneous | Temperature Rise Maximum: 80 K.             |
| Core          | Mn-Zn Ferrite                               |

## Dimensions

|           |            |
|-----------|------------|
| D         | 51mm MAX   |
| H         | 34mm MAX   |
| LL        | 5mm +/-2mm |
| S         | 15mm NOM   |
| S1        | 35mm NOM   |
| Wire Size | 1.6mm      |

## Specifications

|                   |            |
|-------------------|------------|
| Voltage AC        | 250 VAC    |
| Inductance        | 3.5 mH     |
| Rated Current     | 15 A       |
| Temperature Range | -40/+105°C |
| DC Resistance     | 20 mOhms   |

## Packaging Specifications

|                          |         |
|--------------------------|---------|
| Packaging                | Tray    |
| Packaging Quantity       | 100     |
| Typical Component Weight | 114.3 g |

Statements of suitability for certain applications are based on our knowledge of typical operating conditions for such applications, but are not intended to constitute - and we specifically disclaim - any warranty concerning suitability for a specific customer application or use. This Information is intended for use only by customers who have the requisite experience and capability to determine the correct products for their application. Any technical advice inferred from this Information or otherwise provided by us with reference to the use of our products is given gratis, and we assume no obligation or liability for the advice given or results obtained.