

14.6mm × 22.3mm Ceramic Cartridge Power Fuse - Through hole

multicomp PRO

**RoHS
Compliant**



Application

Suitable for the telecommunications industry

Specifications

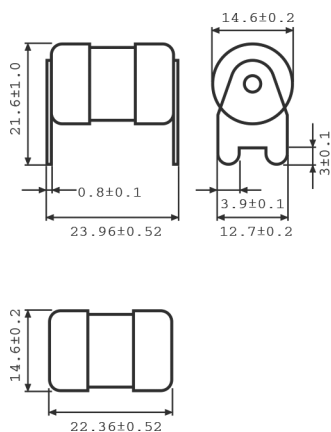
Current Rating	: 40A - 80A
Voltage Rating	: 170V
Interrupting Current rating	: 1100,000 amperes at 170V DC
Fuse Body Material	: Ceramic
Fuse Caps Material	: Nickel Plated Copper Alloy
Termination Material	: Tin Plated Copper
Operating Temperature	: -55°C to 125°C
UL Approved	

Electrical Characteristics

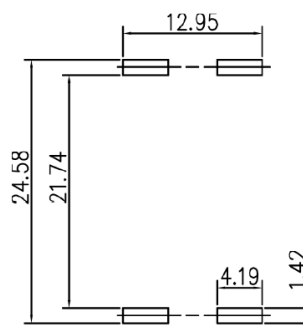
Rating	100% Rating		1.35% Rating		200% Rating	
	Min.	Max.	Min.	Max.	Min.	Max.
40A - 60A	4hr	-	-	1hr	-	6min
61A - 80A	4 hr			2hr	-	8min

Part Number	Ampere Rating (A)	Voltage Rating (V)	Nominal Cold Resistance (Ohms)	Nominal Melting I ² t (A ² sec.)
MP001914	40A	170V	0.00156	1974
MP001915	50A		0.00123	4139
MP001916	60A		0.00090	6454
MP001917	80A		0.00074	8236

Mechanical Dimensions



Recommend Circuit Board distance



Dimensions : Millimetres

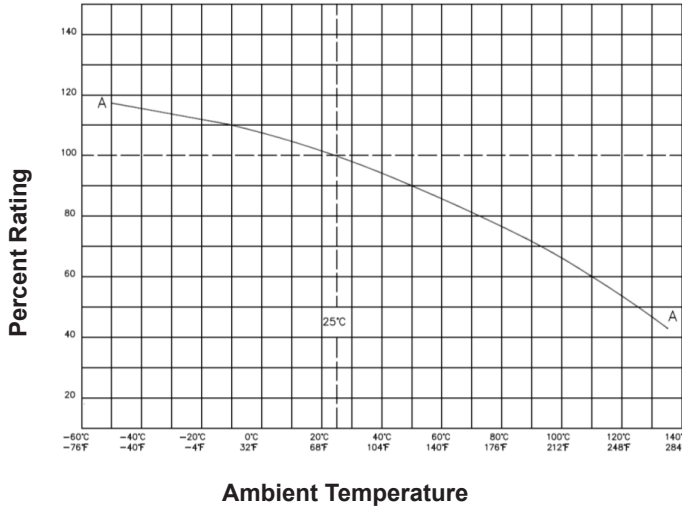
Newark.com/multicomp-pro
Farnell.com/multicomp-pro
sg.element14.com/b/multicomp-pro

multicomp PRO

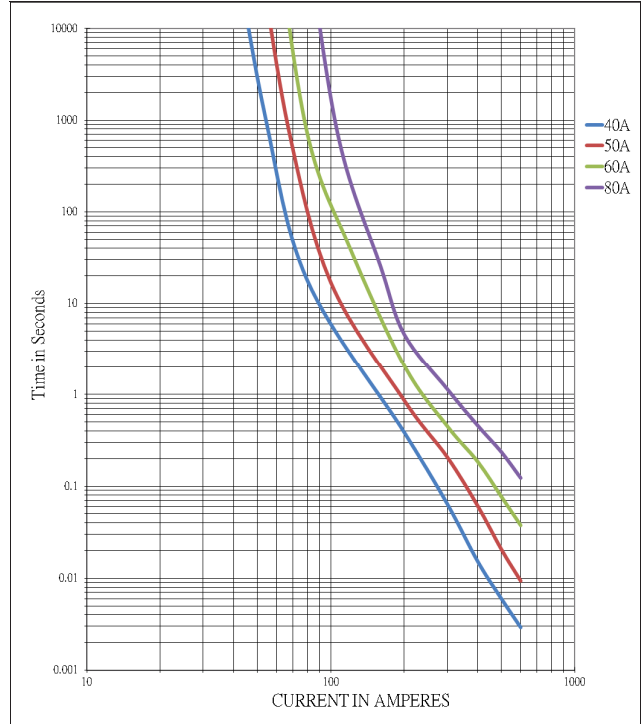
14.6mm × 22.3mm Ceramic Cartridge Power Fuse - Through hole



Chart Showing Effect of Ambient Temperature on Current — Carrying Capacity



Average Melting IT Curves



Part Number Table

Description	Part Number
Ceramic Cartridge Power Fuse, Ø14.6mm x 22.3mm, 40A, 170V DC, Through hole	MP001914
Ceramic Cartridge Power Fuse, Ø14.6mm x 22.3mm, 50A, 170V DC, Through hole	MP001915
Ceramic Cartridge Power Fuse, Ø14.6mm x 22.3mm, 60A, 170V DC, Through hole	MP001916
Ceramic Cartridge Power Fuse, Ø14.6mm x 22.3mm, 80A, 170V DC, Through hole	MP001917

Important Notice : This data sheet and its contents (the "Information") belong to the members of the AVNET group of companies (the "Group") or are licensed to it. No licence is granted for the use of it other than for information purposes in connection with the products to which it relates. No licence of any intellectual property rights is granted. The Information is subject to change without notice and replaces all data sheets previously supplied. The Information supplied is believed to be accurate but the Group assumes no responsibility for its accuracy or completeness, any error in or omission from it or for any use made of it. Users of this data sheet should check for themselves the Information and the suitability of the products for their purpose and not make any assumptions based on information included or omitted. Liability for loss or damage resulting from any reliance on the Information or use of it (including liability resulting from negligence or where the Group was aware of the possibility of such loss or damage arising) is excluded. This will not operate to limit or restrict the Group's liability for death or personal injury resulting from its negligence. Multicomp Pro is the registered trademark of Premier Farnell Limited 2019.

Newark.com/multicomp-pro
 Farnell.com/multicomp-pro
 sg.element14.com/b/multicomp-pro

